

WATER TEST GAUGE

- Connects Directly to Standard Water Faucet or Hose
- Measures Commercial & Residential Water Pressure
- Dual Scale Dial

Marsh Water Test Gauge is designed to connect directly to a standard $\frac{3}{4}$ " water faucet or hose. The maxi pointer included on the Water Test Gauge allows you to monitor a peak operating or surge pressure point.

Typical applications include measuring residential and commercial water pressure, also selection and adjustment of valves, regulators, and other controls.



STANDARD RANGES & PART NUMBERS

TYPE	WATER TEST GAUGES	
Size	2 1/2"	
Internals	Copper Alloy	
Case Materials	Steel	
Mounting/Case Style	Top mount	
Connection	3/4"-1 1/2" NH female hosebib	
Scale Standard	psi/kPa	
Window	Acrylic	Acrylic w/maxhand
Part Number	G24545	G24545-001

SPECIFICATIONS

ACCURACY ASME
Grade B - $\pm 3/2/3\%$ ($\pm 2\%$ of range across middle half of scale)

CASE SIZES
2 1/2" diameter

CASE MATERIAL
Steel, black painted

CASE STYLE
Top mount

TUBE & SOCKET
Copper alloy

MOVEMENT
Brass

CONNECTION
3/4" - 1 1/2" NH Female hosebib

RANGES
0 to 300 psi

DIAL STANDARD
Dual scale psi and kPa

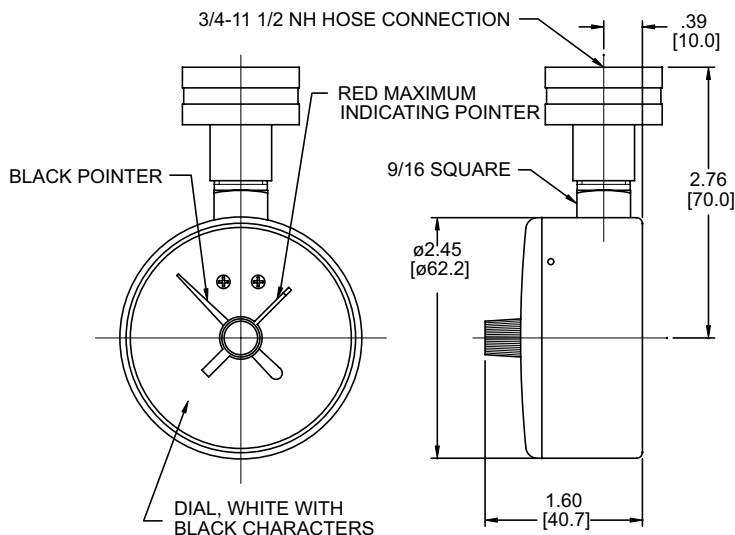
DIAL COLOR
Black markings on white

POINTER
Aluminum, black painted

WINDOW
Acrylic with or without red maximum indicating pointer

OPTIONS
Other ranges are available
Consult factory

WEIGHT 0.5 lb



ALL DIMENSIONS ARE NOMINAL

