

Bimetal thermometer For heating technology Model A51, high-quality version

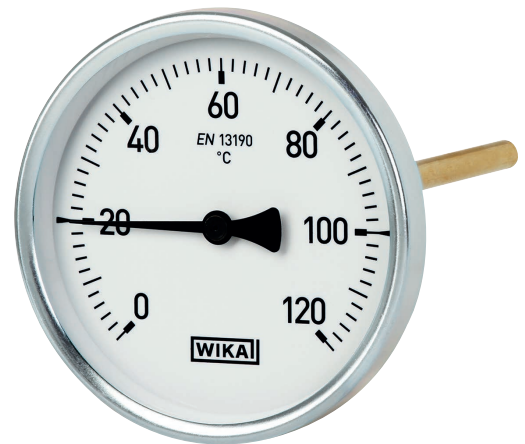
WIKA data sheet TM 51.01

Applications

- Heating systems
- Refrigeration and air-conditioning technology
- Ventilation systems

Special features

- Scale ranges from -30 ... +250 °C
- Nominal size 63, 80 and 100
- Different connection designs



Bimetal thermometer, model A51

Description

The model A51 bimetal thermometer has been developed as a high-quality version for simple temperature indication in heating, air-conditioning and ventilation applications. The modular design enables a multitude of combinations of case materials, nominal sizes, scale ranges and stem lengths.

The instrument is very versatile in operation. For operation in heating applications, fitting with a thermowell is recommended. For this, the A51 has been designed with a smooth stem in readiness for thermowell mounting. Furthermore, this version offers an indication accuracy of class 1 in accordance with EN 13190.

In the air-conditioning and ventilation industries, the A51 is available with a sliding mounting flange on the stem as well as a rear mounting flange at the case. Both versions are delivered with an indication accuracy of class 2 in accordance with EN 13190.

Standard version

Measuring element

Bimetal coil

Nominal size in mm

63, 80, 100

Working range

Full scale value

Scale range

-30 ... +250 °C

Case

Steel, galvanised

Connection location

Back mount, centre

Stem

Copper alloy

Connection designs

■ Air-conditioning and ventilation

- Smooth connection, with rear mounting flange
- Smooth connection, with sliding plastic flange

■ Liquid media

- Smooth connection, with 18 mm collar diameter for thermowell mounting

Dial

White plastic, black lettering
from 160 °C: Aluminium

Pointer

Aluminium, black

Window

Plastic

Indication accuracy

■ Thermowell version

Class 1 per EN 13190

■ For mounting flanges and rear mounting flange

Class 2 per EN 13190

Zero adjustment

At bottom of stem

Options

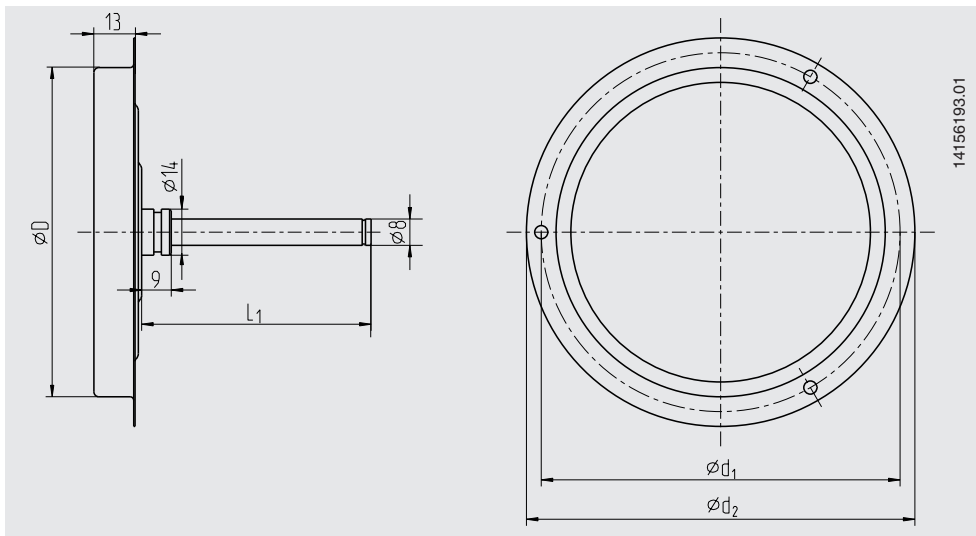
Case and stem from stainless steel

Accessories

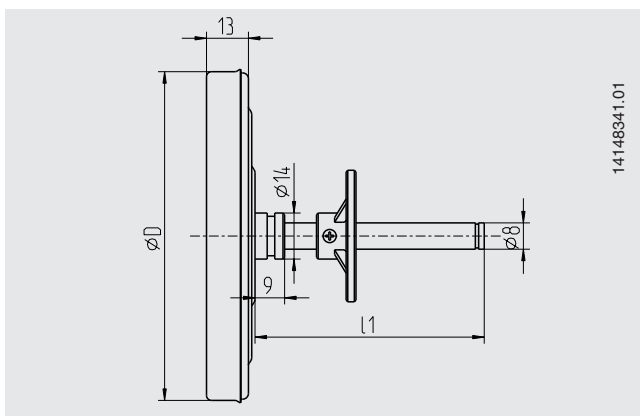
Thermowells model SWT52G (see data sheet TW 90.11)

Dimensions in mm

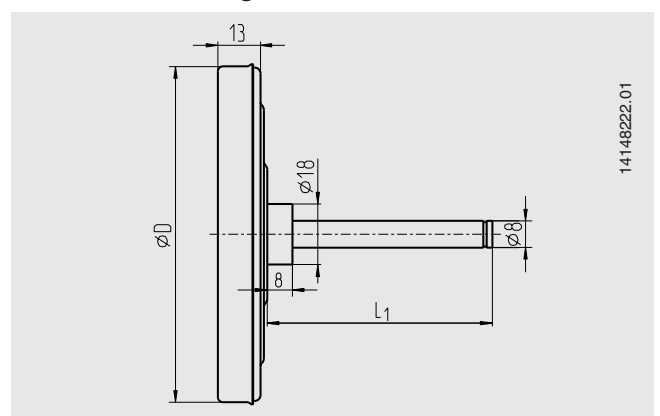
Smooth connection, with rear mounting flange



Smooth connection, with sliding plastic flange



Smooth connection, with 18 mm collar diameter for thermowell mounting



Nominal size	Dimensions in mm		
$\varnothing D$	L_1	$\varnothing d_1$	$\varnothing d_2$
63	45 ¹⁾ , 63 ¹⁾ , 100, 160, 200 or 250	73	80
80		90	99
100		109	118

1) Only with versions for thermowell mounting

Ordering information

Model / Nominal size / Case material / Scale range / Insertion length L_1 / Connection design / Options

© 2016 WIKA Alexander Wiegand SE & Co. KG, all rights reserved.
The specifications given in this document represent the state of engineering at the time of publishing.
We reserve the right to make modifications to the specifications and materials.

