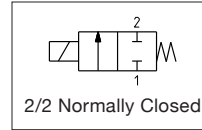


- Diaphragm solenoid isolation valves designed for use with neutral and aggressive liquids and gases in analytical instrumentation
- Larger orifice sizes make these valves ideal for high flow-rate applications
- Good self-draining capability and low-volume internal cavity to minimize cross-contamination
- Removable and rotatable electrical coils allow for easy installation and worry-free maintenance
- Meets all relevant CE directives, and is RoHS compliant
- Typical applications include:
 - In-vitro Diagnostics
 - Spectrometry
 - Hematology
 - Water Analyzers



Fluids*	Temperature Range	Seal Materials*
Air, Inert Gases, Water, Oil or Liquids	10 °C to 100 °C (50 °F to 212 °F)	FFKM

* Ensure that the compatibility of the fluids in contact with the materials is verified

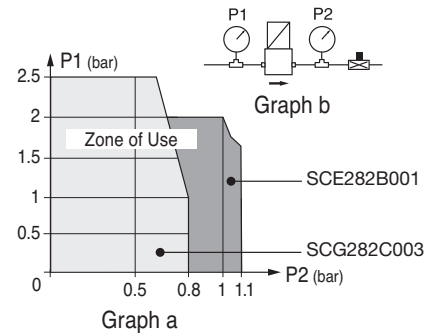
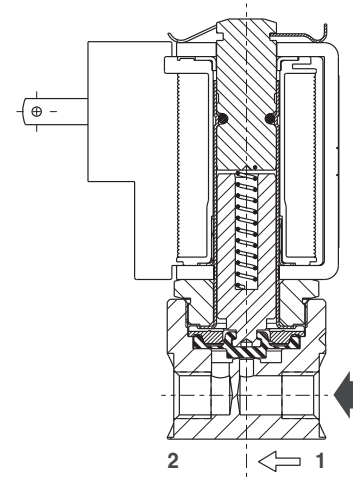
General Valve Information	
Body	Stainless Steel AISI 316 or PVDF (polyvinylidene fluoride)
Diaphragm	VMQ, FKM or EPDM
Others	Stainless Steel
Response Time	< 10ms (SCE282B001) < 20ms (SCG282C003)
Internal Volume	70µl
Max. Viscosity	37 cSt (mm ² /s)

Electrical Characteristics	
Coil Insulation Class	F
Connector	Spade plug (cable Ø4-6mm or Ø6-10mm)
Connector Specification	2.5 W (DMX) 2 spade terminals, 2.8 x 0.5mm (DIN 46340) 8 W/9 W (ANX) ISO 4400/EN 175301-803, form A
Electrical Safety	IEC 335
Electrical Enclosure Protection	Type 01: Molded IP40 (EN 60529), Type 02: PPS (Polyphenylene sulfide) glass-fiber reinforced, IP 67 (EN 60529) with plug connector
Standard Voltages	12 VDC to 24 VDC AC ~: 24 V to 115 V to 230 V/50 Hz

* Other voltages available on request

Prefix Option	Power Ratings				Ambient Temperature Range	Replacement Coil		Type ¹
	Inrush	Holding		Hot/ Cold		230 V/50 Hz	24 VDC	
	VA	VA	W					
SC	-	-	-	2.5	-10 to 60 (50 to 140)	-	500701-006	01
	23	14	8	9	-10 to 60 (50 to 140)	511239-009	511239-002	02

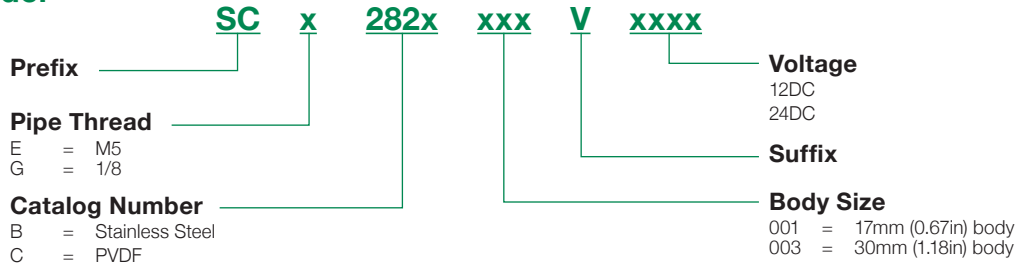
¹ Refer to the dimensional drawings on the following page



Specifications															
Connection	Orifice Size	Flow Coefficient		Pressure Differential bar (psi)				Power Coil	Catalog Number		Options				
		mm (inches)	Kv (m ³ /h)	Cv	min.	max.			W	stainless steel	PVDF	FKM	EPDM		
						air, inert gases	liquids								
2/2 NO - Normally Closed															
M5	1.6 (0.063)	0.04	0.046	0	-	2 (29) ²	-	2 (29) ²	-	2.5	SCE282B001	-	V	E	
G1/8	4 (0.157)	0.32	0.370	0	2.5 (36) ²	2.5 (36) ²	2.5 (36) ²	2.5 (36) ²	8	9	-	SCG282C003	V	E	

² See graphs (a) and (b) variation of inlet pressure (P2) for outlet pressure (P1) maintained

How to Order



Dimensions: mm (inches)

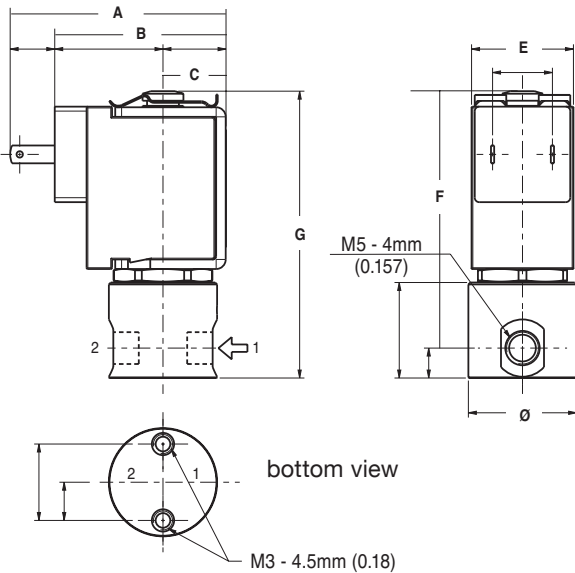
Dimensional Drawings

Type 01

Prefix "SC" solenoid
IEC 335/DIN 46340
IP40



SCE282B001

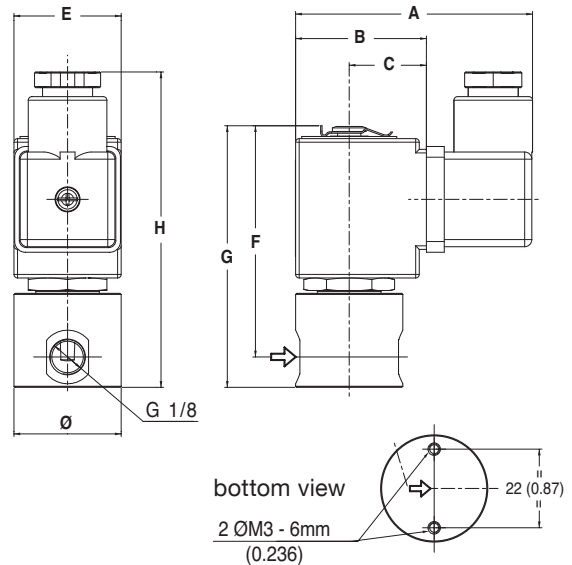


Type 02

Prefix "SC" solenoid
IEC 335/DIN 46340
IP 67 (EN 60529) with plug
connector



SCG282C003



Type	Prefix Option	Catalog Number	Ø	A	B	C	D	E	F	G	H	Weight kg
01	SC	SCE282B001	17 (0.67)	33.9 (1.33)	26.9 (1.06)	9.9 (0.39)	-	16 (0.63)	40.3 (1.59)	45 (1.77)	-	0.06 ¹
02	SC	SCG282C003	30 (1.2)	71.6 (2.82)	36.6 (1.44)	21.6 (0.85)	-	30 (1.18)	64.5 (2.54)	73 (2.87)	89 (3.5)	0.22 ²

¹ Including coil, without connector.

² Including coil(s) and connector(s).

Options

- Other pipe connections available on request
- Plug with visual indication and peak voltage suppression or with lead wire length of 2m (78.7in)

Installation

- The solenoid valves can be mounted in any position without affecting operation. For optimum performance mount solenoid vertical and upright
- Replacement coils are available: 2.5 W (DMX): DC, 12 V, catalog number **500701-005**; AC, 24 V, catalog number **500701-006**
8 W/9 W (ANX): DC, 12 V, catalog number **511239-001**; AC, 24 V, catalog number **511239-002**; 115 V, catalog number **511239-007**