

Features

- Unit consisting of two air operated valves for temperature control applications in automated wine processing plants designed as a feed or return flow module
- Certified for use in wine production with no risk of contamination of products in contact with valve (French EXCELL Laboratory green label certification)
- Inlet/outlet orifice for G 3/4 exchanger
- Pneumatic connection with incorporated 4 x 6 mm instant fitting
- The two-valve module can be mounted in any position without affecting operation
- Optical position indicator on valve operator

Construction

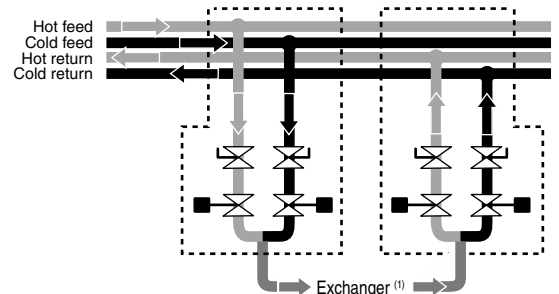
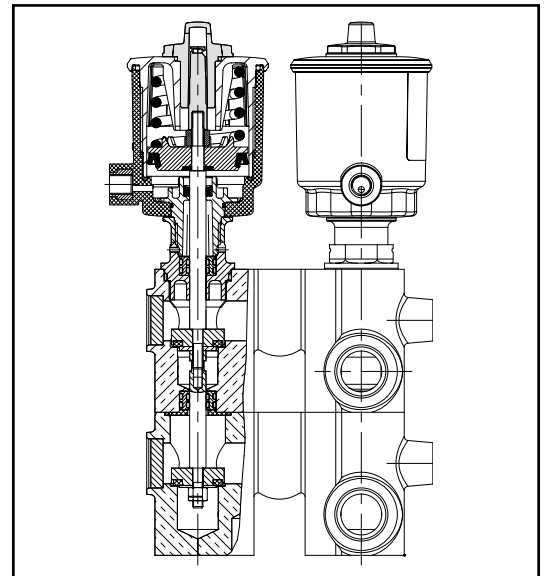
Valve Parts in Contact with Fluids	
Valve Body	Brass, nickel-plated
Stuffing Box Body	Polyamide, glass-fiber filled
Stem	Stainless Steel
Disc	Brass
Stuffing Box Seal	PTFE Chevrons
Disc Seal	PTFE
Other Materials	
Operator	PA, glass-fiber filled
Optical Position Indicator	PA 12

General Specifications

- Pressure differential:** 0-145 psi (0-10 bar)
Maximum allowable pressure: 232 psi (16 bar)
Ambient temperature range: 14°F to 140°F (-10°C to 60°C)
Maximum viscosity: 2,780 SSU
Pilot fluid: Filtered air
Max. pilot pressure: 145 psi (10 bar)
Min. pilot pressure: See next page
Pilot fluid temperature: 14°F to 140°F (-10°C to 60°C)

Fluids (*)	Temperature Range	Seal Materials (*)
Water, Liquids groups 1 & 2	14°F to 140°F (-10°C to 60°C)	PTFE

* Ensure that the compatibility of the fluids in contact with the materials is verified



(1) Provide for a unit of two valves for the feed loop and the return loop.

SPECIAL SERVICE VALVES

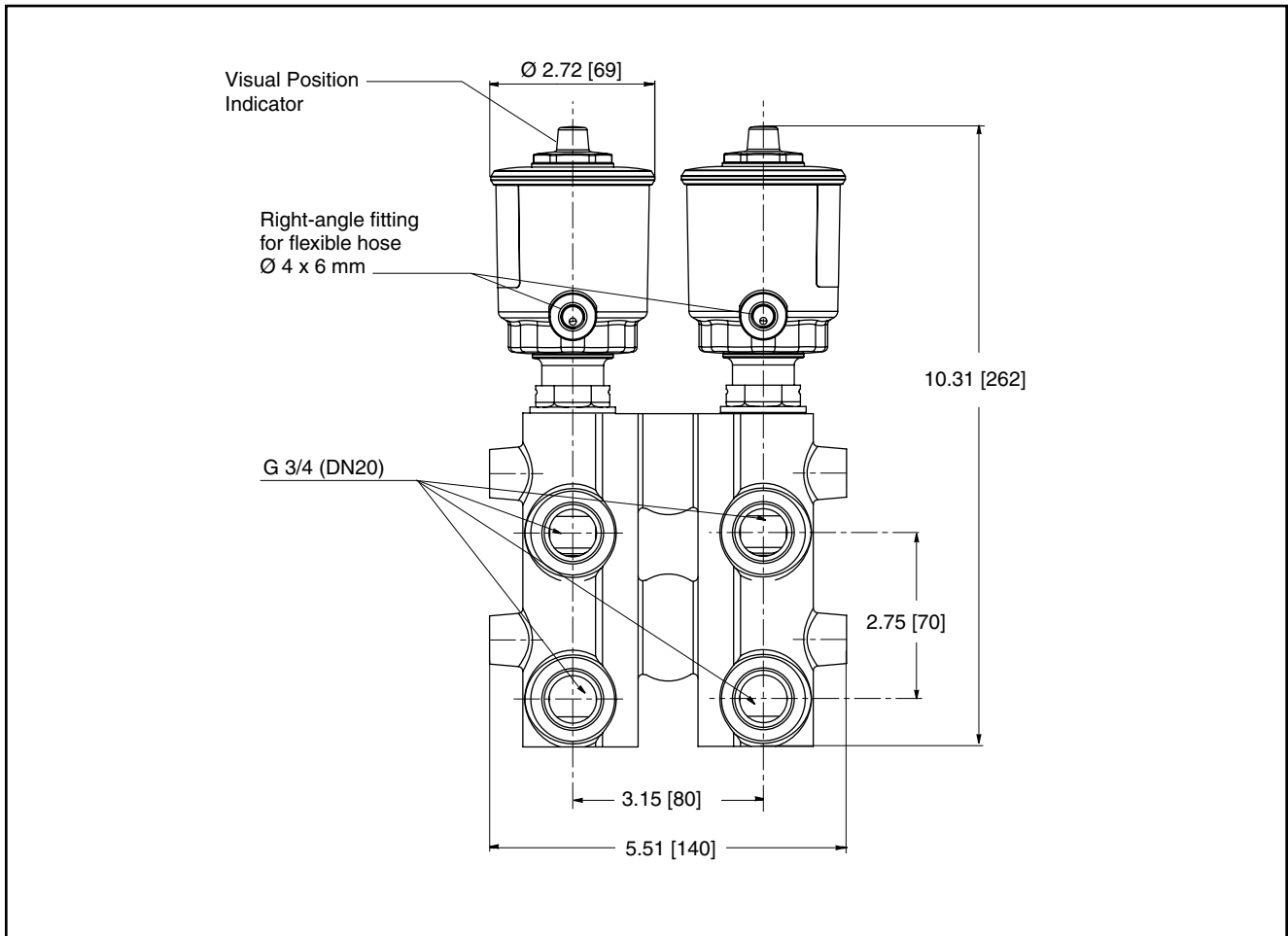
Specifications English units (Metric)

Pipework (ISO 6708)	Cv Flow (Kv = m ³ /h)	Pilot Pressure psi (bar)		Operating Pressure Differential psi (bar)		Operator Diameter mm	Catalog Number with Visual Position Indicator
		Min.	Max.	Min.	Max. Water, Liquids		
Normally Closed - Entry Under the Disc							
3/4	5.6 (4.8)	72.5 (5)	145 (10)	0	145 (10)	50	X29050914900100

Installation

- The valves can be mounted in any position without affecting operation
- Pipe connection identifier is: G = G (ISO 228/1)
- Installation/maintenance instructions are included with each two-valve module

Dimensions inches (mm)



SPECIAL SERVICE VALVES