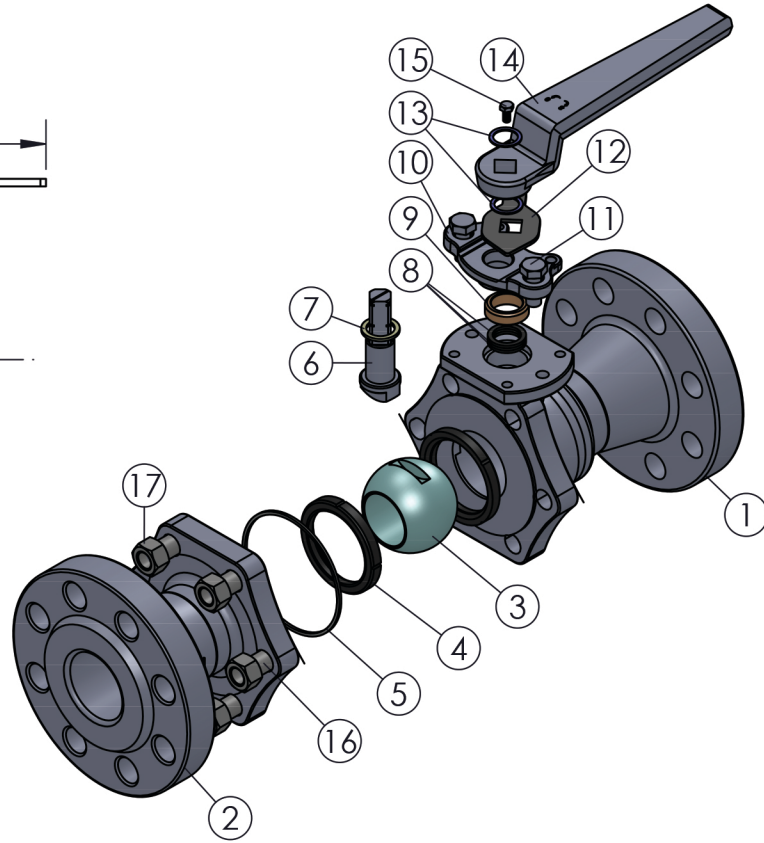
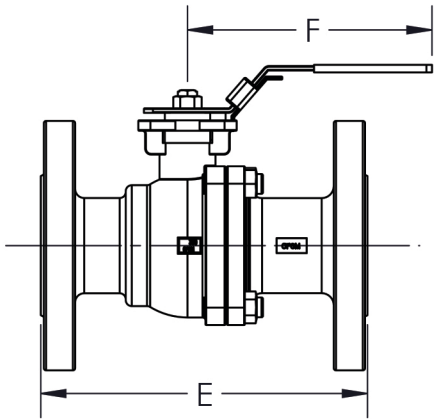
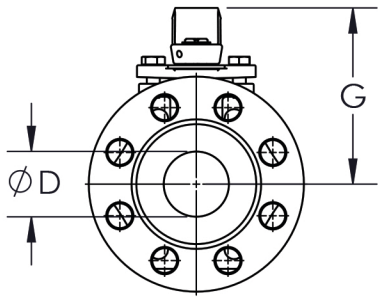


*TORQUES LISTED AT FULL DIFFERENTIAL PRESSURE

SIZE	A	B	C	øD	E	F	G	J	K	øL	M	øW	ISO 5211	WEIGHT (lbs)	Cv	TORQUE* (in-lbf)
1/2"	0.46 (11)	0.12 (3)	0.91 (23)	0.59 (15)	6.50 (165)	5.12 (130)	3.41 (87)	0.35 (9)	M5-0.8	1.65 (42)	1.06 (27)	N/A	F04	7	11	57
3/4"	0.48 (12)	0.12 (3)	0.91 (23)	0.79 (20)	7.50 (190)	5.12 (130)	3.52 (90)	0.35 (9)	M5-0.8	1.65 (42)	1.06 (27)	N/A	F04	11	26	69
1"	0.55 (14)	0.12 (3)	1.06 (27)	0.98 (25)	8.50 (216)	6.30 (160)	4.02 (102)	0.43 (11)	M6-1.0	1.97 (50)	1.34 (34)	N/A	F05	14	42	126
1-1/2"	0.75 (19)	0.20 (5)	1.36 (34)	1.50 (38)	9.50 (241)	7.87 (200)	4.92 (125)	0.55 (14)	M8-1.25	2.76 (70)	1.73 (44)	N/A	F07	29	120	322
2"	0.75 (19)	0.20 (5)	1.36 (34)	1.97 (50)	11.50 (292)	10.43 (265)	5.35 (136)	0.55 (14)	M8-1.25	2.76 (70)	1.73 (44)	N/A	F07	38	190	484
3"	1.04 (26)	0.31 (8)	1.98 (50)	2.99 (76)	14.00 (356)	15.75 (400)	6.69 (170)	0.67 (17)	M10-1.5	4.02 (102)	1.65 (42)	N/A	F10	78	600	1288
4"	1.21 (31)	0.31 (8)	2.18 (55)	3.94 (100)	17.00 (432)	15.75 (400)	8.66 (220)	0.87 (22)	M10-1.5	4.02 (102)	1.81 (46)	N/A	F10	150	1650	1866
6"	N/A	N/A	1.06 (27)	5.91 (150)	22.00 (559)	N/A	23.90 (607)	1.06 (27)	0.87 (22)	6.54 (166)	N/A	28.00 (711)	F16	536	2600	8800
8"	N/A	N/A	1.42 (36)	7.91 (201)	26.00 (660)	N/A	26.10 (664)	1.42 (36)	0.87 (22)	6.54 (166)	N/A	28.00 (711)	F16	877	4200	17000



PRODUCT INFORMATION:

- STANDARD LOCKING HANDLE (SIZES 1/2" - 4")
- ANTI-STATIC DEVICE
- BALL IS VENTED ON THE STEM SLOT AREA
- SIZES 6" AND 8" ARE ALSO AVAILABLE IN TRUNNION DESIGN (SERIES B43T)
- COMPLETE VALVE AUTOMATION

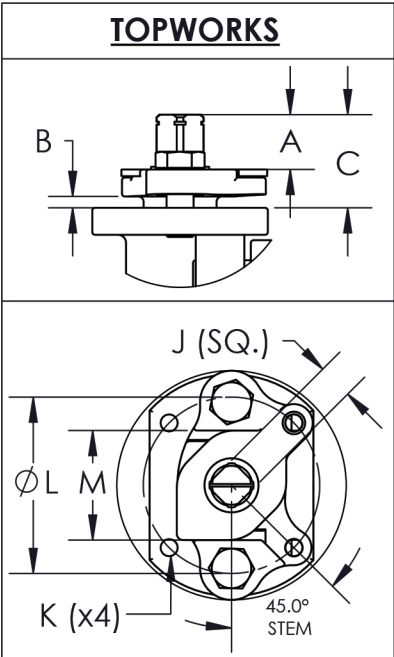
OPTIONS:

- STEAM JACKET

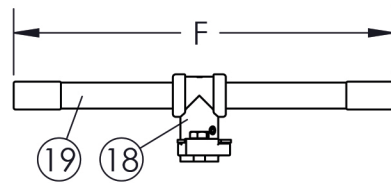
APPLICABLE STANDARDS:

- NACE MR0175
- ASME B16.34: DESIGN AND WALL THICKNESS
- ASME B16.10: FACE TO FACE
- ASME B16.5: END FLANGE
- API 598: INSPECTION AND TESTING
- API 607: FIRE SAFE (WITH GRAFOIL BODY SEALS ONLY)
- ISO 5211: MOUNTING
- USP CLASS VI: CONFIRMATION OF COMPLIANCE (TFM1600/PTFE MATERIAL)

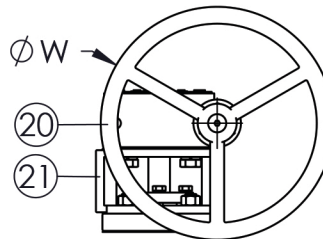
ITEM NO.	DESCRIPTION	MATERIALS	QTY.
1	BODY	A351-CF8M A216-WCB	1
2	END	A351-CF8M A216-WCB	1
3	BALL	A351-CF8M	1
4	SEAT	SUPRALON	2
5	BODY SEAL	SPW316+GRAFOIL	1
6	STEM	A276-316	1
7	STEM THRUST WASHER	SUPRALON	1
8	STEM SEAL	GRAFOIL	3
9	GLAND	316 STAINLESS STEEL	1
10	PACKING GLAND	A351-CF8	1
11	GLAND BOLT	A193-B8	2
12	STOPPER	304 STAINLESS STEEL	1
13	SNAP RING	304 STAINLESS STEEL	2
14	HANDLE (SIZES 1/2" - 2")	CAST IRON	1
15	HANDLE BOLT	A193-B8	1
16	BODY BOLT	A193-B8	6
17	BODY NUT	A194-B8	6
18	PIPE HANDLE ADAPTER (SIZES 3" - 4")	A351-CF8	1
19	PIPE HANDLE (SIZES 3" - 4")	304 STAINLESS STEEL	1
20	WORM GEAR (SIZES 6" - 8")	316 STAINLESS STEEL	1
21	GEAR BOX (SIZES 6" - 8")	A216-WCB	1



SIZES 3" & 4" WITH PIPE HANDLE:

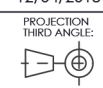


SIZES 6" & 8" WITH GEAR OPERATOR:



DRAWN BY E.P.	DATE 07/10/2017
CHECKED BY E.G.	DATE 12/04/2018
APPROVED BY J.S. <small>(FOR REF ONLY IF NOT APPROVED)</small>	DATE 12/04/2018

THE INFORMATION CONTAINED IN THIS DRAWING IS THE SOLE PROPERTY OF SVF FLOW CONTROLS, INC. ANY REPRODUCTION IN PART OR IN WHOLE WITHOUT THE WRITTEN CONSENT OF SVF FLOW CONTROLS, INC. IS PROHIBITED.



DESCRIPTION:
1/2" - 8" B43C FLANGED BALL VALVE, ANSI CLASS 600, FULL PORT



UNITS: INCH (MILLIMETERS)	DATE: 12/04/2018	REV: C
---------------------------	------------------	--------