

Resistance thermometers and thermocouples, models TRxx, TCxx EN

Widerstandsthermometer und Thermoelemente, Typen TRxx, TCxx DE

Sondes à résistance et thermocouples, types TRxx, TCxx FR

Termorresistencias y termopares, modelos TRxx, TCxx ES



Examples/Beispiele/Exemples/Ejemplos

EN	Operating instructions models TRxx and TCxx	Page	3 - 30
DE	Betriebsanleitung Typen TRxx und TCxx	Seite	31 - 58
FR	Mode d'emploi types TRxx et TCxx	Page	59 - 84
ES	Manual de instrucciones modelos TRxx y TCxx	Página	85 - 110

© 06/2010 WIKA Alexander Wiegand SE & Co. KG
 All rights reserved. / Alle Rechte vorbehalten.
 WIKA® is a registered trademark in various countries.
 WIKA® ist eine geschützte Marke in verschiedenen Ländern.

Prior to starting any work, read the operating instructions!
 Keep for later use!

Vor Beginn aller Arbeiten Betriebsanleitung lesen!
 Zum späteren Gebrauch aufbewahren!

Lire le mode d'emploi avant de commencer toute opération !
 A conserver pour une utilisation ultérieure !

¡Leer el manual de instrucciones antes de comenzar cualquier trabajo!
 ¡Guardar el manual para una eventual consulta!

Contents

1. General information	4
2. Design and function	4
3. Safety	5
4. Transport, packaging and storage	9
5. Commissioning, operation	10
6. Additional notes for instruments with EHEDG and 3-A	22
7. Faults	23
8. Maintenance, cleaning and calibration	24
9. Dismounting, return and disposal	26
10. Specifications	28
11. Accessories	29

Models concerned:

- ▶ These operating instructions are valid for a whole range of products. For a detailed listing of these models see chapter 10 "Specifications" (page 28).

EN

1. General information

- The thermometers described in the operating instructions have been manufactured using state-of-the-art technology.
- These operating instructions contain important information on handling the instrument. Working safely requires that all safety instructions and work instructions are observed.
- Observe the relevant local accident prevention regulations and general safety regulations for the instrument's range of use.
- Skilled personnel must have carefully read and understood the operating instructions prior to beginning any work.
- Subject to technical modifications.
- Further information:
 - Internet address: www.wika.de / www.wika.com
 - Relevant data sheet: see chapter 10 "Specifications"
 - Application consultant: Tel.: +49 9372 132-0
Fax: +49 9372 132-406
info@wika.de

2. Design and function

2.1 Description

These resistance thermometers and thermocouples are used for temperature measurement in industrial applications.

This document describes instruments in standard version. For applications in hazardous areas special instrument versions are required.

For further information for operation in hazardous areas, see the additional information for the corresponding ignition protection type (separate document).

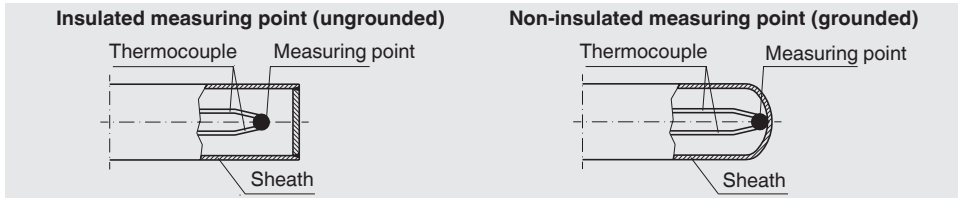
The instrument has been designed and built solely for the intended use described here, and may only be used accordingly.

Measuring point ungrounded

The model TRxx or model TCxx thermometers consist of a welded tube, a mineral-insulated sheathed cable or ceramic-insulated thermocouple wires in which the temperature sensor is located. This is embedded in a ceramic powder, a temperature-resistant sealing compound, cement compound or a heat transfer paste.

Thermocouples, non-insulated (grounded)

For special applications, for example surface temperature measurements, the sensors are in direct contact with the protective sleeve, or the measuring points of thermocouples are welded to the bottom.



Electrical connection

In terms of connection, the thermometer has a case and a plug or bare wire ends. The case design will contain the connection terminals or certified transmitters. Optionally, separately certified digital displays can be built into the cases.

2.2 Scope of delivery

Cross-check scope of delivery with delivery note.

3. Safety

3.1 Explanation of symbols



WARNING!

... indicates a potentially dangerous situation that can result in serious injury or death, if not avoided.



CAUTION!

... indicates a potentially dangerous situation that can result in light injuries or damage to equipment or the environment, if not avoided.



WARNING!

... indicates a potentially dangerous situation that can result in burns, caused by hot surfaces or liquids, if not avoided.



Information

... points out useful tips, recommendations and information for efficient and trouble-free operation.

3.2 Intended use

The thermometers described here are suitable for temperature measurement in industrial applications.

Depending on design, these thermometers can be mounted directly into the process or within a thermowell. The designs of the thermowells can be selected as desired, but the operational process data (temperature, pressure, density and flow rate) must be taken into account.

Neither repairs nor structural modifications are permitted, and any would void the guarantee and the respective certification. The manufacturer shall not be responsible for constructional modifications after delivery of the instruments.

The instrument has been designed and built solely for the intended use described here, and may only be used accordingly.

The technical specifications contained in these operating instructions must be observed.

The manufacturer shall not be liable for claims of any type based on operation contrary to the intended use.

3.3 Responsibility of the operator

The system operator is responsible for selecting the thermometer or thermowell, and for the selection of their materials, so as to guarantee their safe operation within the plant or machine. When preparing a quote, WIKA can only give recommendations which are based on our experience in similar applications.

The safety instructions within these operating instructions, as well as the safety, accident prevention and environmental protection regulations for the application area must be maintained.

The operator is obliged to maintain the product label in a legible condition.

3.4 Personnel qualification



WARNING!

Risk of injury should qualification be insufficient

Improper handling can result in considerable injury and damage to equipment.

- ▶ The activities described in these operating instructions may only be carried out by skilled electrical personnel who have the qualifications described below.

Skilled electrical personnel

Skilled electrical personnel are understood to be personnel who, based on their technical training, know-how and experience as well as their knowledge of country-specific regulations, current standards and directives, are capable of carrying out work on electrical systems and independently recognising and avoiding potential hazards. The skilled electrical personnel have been specifically trained for the work environment they are working in and know the relevant standards and regulations. The skilled electrical personnel must comply with current legal accident prevention regulations.

Operating personnel

The personnel trained by the operator are understood to be personnel who, based on their education, knowledge and experience, are capable of carrying out the work described and independently recognising potential hazards.

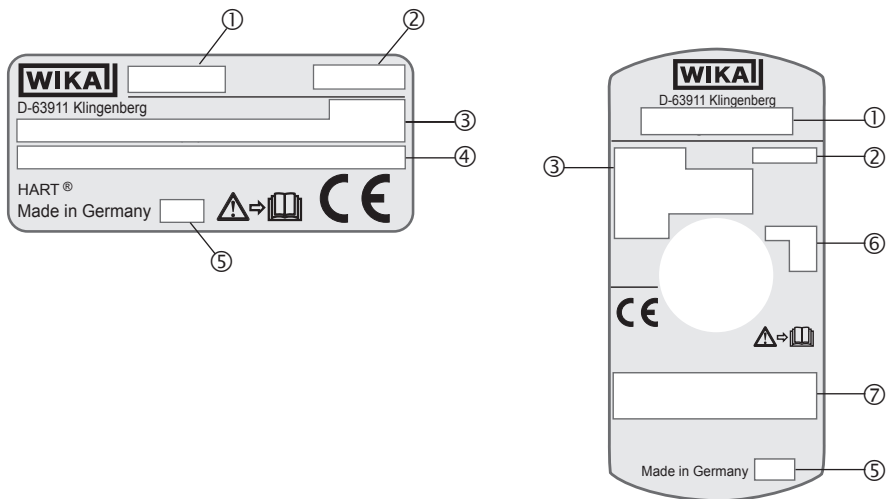
Special operating conditions require further appropriate knowledge, e.g. of aggressive media.

3. Safety

3.5 Labelling, safety marks

Product labels (examples)

EN



- ① Model
- ② Serial number
- ③ Information on version (measuring element, measuring range...)




Sensor in accordance with standard (resistance thermometer)

- F = Thin-film measuring resistor
- FT = Thin-film measuring resistor, sensitive tip
- W = Wire-wound measuring resistor

Sensor in accordance with standard (thermocouple)

- ungrounded
- grounded

- ④ Transmitter model (only for design with transmitter)
- ⑤ Year of manufacture
- ⑥ Sensor symbol

- ungrounded  = ungrounded welded
- grounded  = welded to the sheath (grounded)
- quasi grounded  = The thermometer is, due to its low isolation clearances between sensor and sheath, to be considered as grounded.

- ⑦ Approval-related data (non-Ex version = no specification)



Before mounting and commissioning the instrument, ensure you read the operating instructions!

4. Transport, packaging and storage

4.1 Transport

Check the instrument for any damage that may have been caused by transport. Obvious damage must be reported immediately.



CAUTION!

Damage through improper transport

With improper transport, a high level of damage to property can occur.

- ▶ When unloading packed goods upon delivery as well as during internal transport, proceed carefully and observe the symbols on the packaging.
- ▶ With internal transport, observe the instructions in chapter 4.2 "Packaging and storage".

If the instrument is transported from a cold into a warm environment, the formation of condensation may result in instrument malfunction. Before putting it back into operation, wait for the instrument temperature and the room temperature to equalise.

4.2 Packaging and storage

Do not remove packaging until just before mounting.

Permissible conditions at the place of storage:

Storage temperature:

Instruments **without** built-in transmitter: -40 ... +80 °C

Instruments **with** built-in transmitter: see operating instructions of the transmitter in question

Avoid exposure to the following factors:

- Direct sunlight or proximity to hot objects
- Mechanical vibration, mechanical shock (putting it down hard)
- Soot, vapour, dust and corrosive gases
- Hazardous environments, flammable atmospheres

Store the instrument in its original packaging in a location that fulfils the conditions listed above. If the original packaging is not available, pack and store the instrument as described below:

1. Place the instrument, along with the shock-absorbent material, in the packaging.
2. If stored for a prolonged period of time (more than 30 days), place a bag containing a desiccant inside the packaging.

5. Commissioning, operation



WARNING!

Damage to the measuring instrument by operation outside the upper or lower limits of the operating temperature

Failure to observe the permissible operating temperature, also taking into account convection and radiation, can even cause damage to the thermometer during mounting.

- ▶ The upper and lower limits of the specified operating temperature range must not be exceeded.

5.1 Mechanical mounting

5.1.1 Multipoint thermometers

They are usually equipped with a case in which transmitters or terminal blocks are mounted.

The transmitters/digital displays are fastened mechanically (e.g. rail system in case or holder in connection head).

5.1.2 Cable probe

These are generally not fitted with a case. They can, however, be connected in an additional case in which transmitter or terminal blocks are mounted.

5.1.3 Parallel threads

If the thermometer connecting head, neck tube, thermowell or process connection are connected with parallel threads (e.g. G ½, M20 x 1.5 ...), these threads must be secured using seals which prevent liquids from penetrating into the thermometer.

As standard, WIKA uses copper seals for the connection between the neck tube and the thermowell, and a paper flat gasket for the connection of the connection head and the neck tube or thermowell.

If the thermometer and the thermowell are already connected, the seals will already be mounted (if ordered). The plant operator must check whether the seals are suitable for the operating conditions and must replace them, if necessary, with suitable seals (see chapter 11 "Accessories").

Seals must be replaced after dismantling!

5.1.4 Tapered threads

With NPT or other tapered threads, it should be checked whether it may be necessary to seal them additionally with PTFE tape or hemp. The threads must be lubricated with a suitable lubricant before fitting.

5.1.5 Mounting instructions for electrical thermometers with ceramic protection tube

Ceramic thermowell materials withstand changes in temperature only to a limited extent. A temperature shock can therefore easily result in stress cracks and consequently in damage to the protection tube.

For this reason, preheat thermocouples with ceramic or sapphire protection tubes before installation, and then slowly immerse them into the hot process.

In accordance with DIN 43724, an insertion speed of 1 cm/min is recommended for protection tubes with a diameter of 24/26 mm. For smaller diameters of 10/15 mm, the speed can be increased to 50 cm/min. As a basic principle, higher process temperatures require a lower insertion speed.

In addition to the protection from thermal stress, ceramic protection tubes must also be protected from mechanical loads. The reason for these harmful stresses are bending forces in case of a horizontal mounting position. As a consequence, an additional support must be provided in case of a horizontal mounting position depending on the diameter, greater nominal lengths and the design.

In principle, the deflection problem also occurs for metal protection tubes, particularly for insertion lengths > 500 mm. For process temperatures > 1,200 °C, vertical mounting should be preferred.

Due to the high thermal, chemical, and mechanical stresses to which ceramic and sapphire protection tubes are subjected during operation, a general indication regarding the service life can only be given to a limited extent. This is particularly valid for applications in high-load processes, such as gasification reactors. According to this, the process-related parts of the thermocouples are wear parts which are not covered by the warranty.

Ceramic protection tubes with purge connection

For ceramic protection tubes with purge connection the following basic settings are recommended:

Pressure of purge gas: 0.25 ... 0.35 bar [3.6 ... 5.1 psi] over maximum process pressure

Flow rate of purge gas: approx. 10 ... 12 LPH

Purge gas: nitrogen

Depending on the process an adjustment of given values can be required. The sole responsibility for this rests with the end user.

5. Commissioning, operation

5.2 Electrical mounting

Using a transmitter/digital display (option):

Observe the contents of the operating instructions for the transmitter/digital display (see scope of delivery).

Cable glands

Requirements for meeting ingress protection:

- Only use cable glands within their indicated clamping range (cable diameter suitable for the cable gland).
- Do not use the lower clamping area with very soft cable types.
- Only use round cables (if necessary, slightly oval in cross-section).
- Do not twist the cable.
- Repeated opening/closing is possible; however only if necessary, as it might have a detrimental effect on the ingress protection
- For cable with a pronounced cold-flow behaviour the gland must be fully tightened.

5.3 Electrical connection



CAUTION!

Danger of short circuit

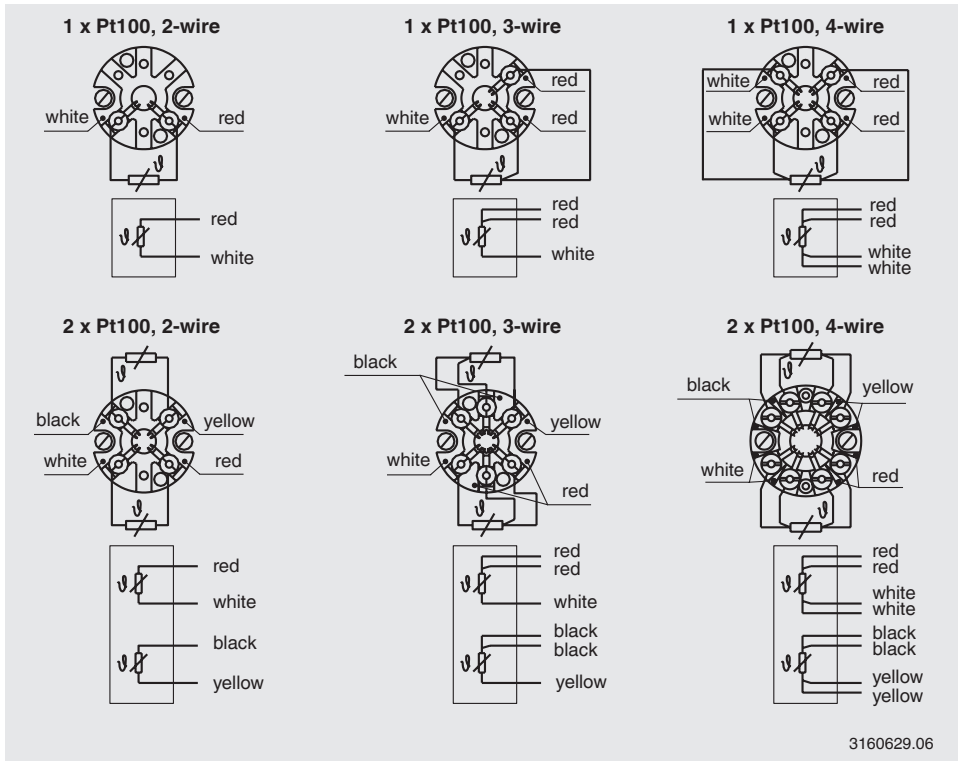
Damage to cables, wires and connection points can lead to malfunction of the instrument.

- ▶ Avoid damaging the cables and wires. Fine-stranded leads with bare ends must be finished with end splices.

5. Commissioning, operation

5.3.1 Resistance thermometers

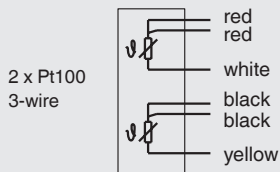
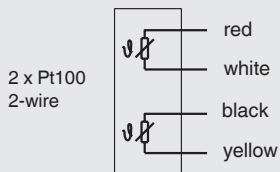
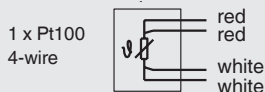
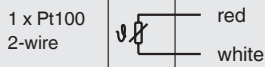
Standard terminal block (colour code per IEC/EN 60751)



Assignment and colour coding for Pt1000 as well as for Pt100
Pt1000 only available as single elements

5. Commissioning, operation

Without connector



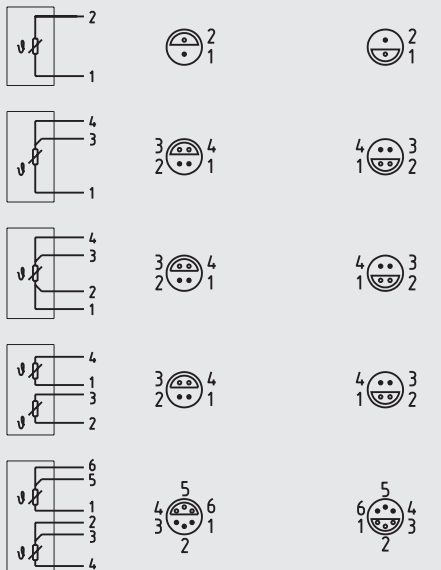
3160629.06

Lemosa connector

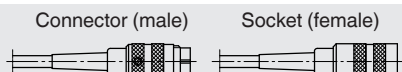


Front view

Front view

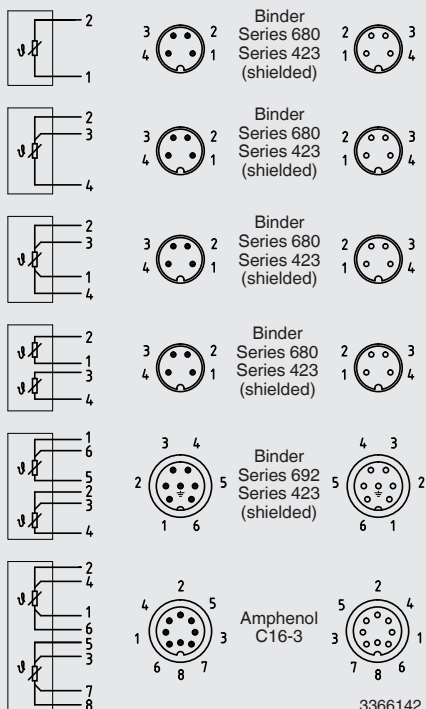


Screw-in connector (Amphenol, Binder)



View of the connector contacts

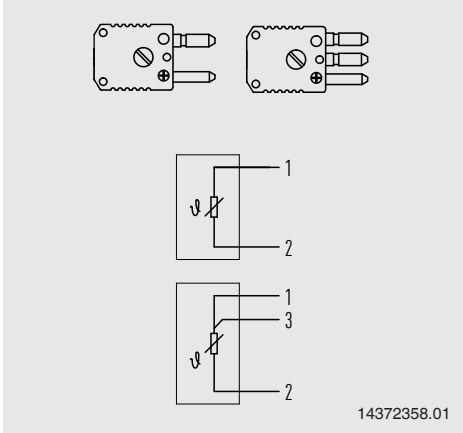
View of the socket contacts



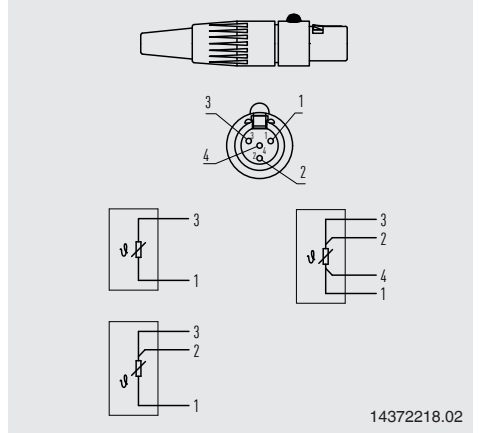
14150915.07 11/2020 EN/DE/FR/ES

5. Commissioning, operation

Thermo connector (RTD, male)

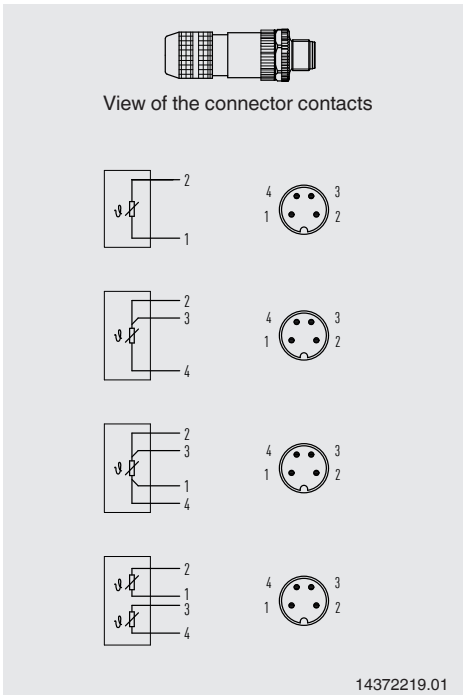


XLR-mini connector (female)

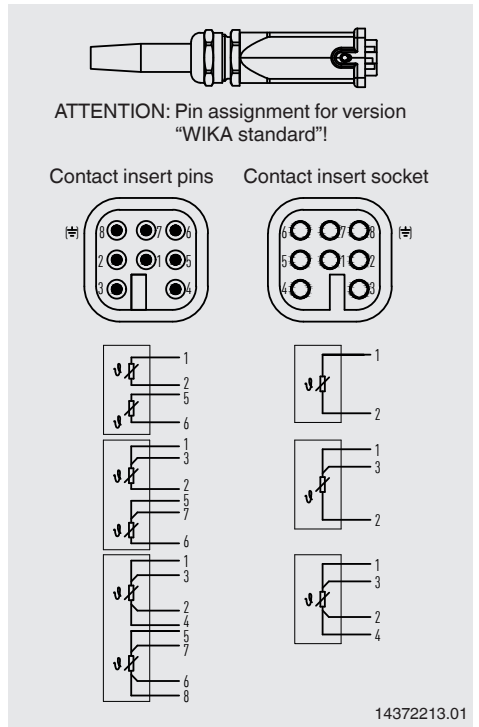


EN

Binder screw-in-connector (male), M12 x 1 (series 713)



Harting connector

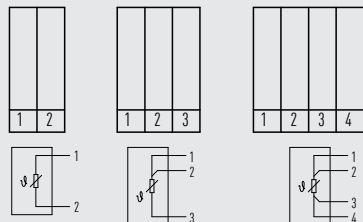


14150915.07 11/2020 EN/DE/FR/ES

5. Commissioning, operation

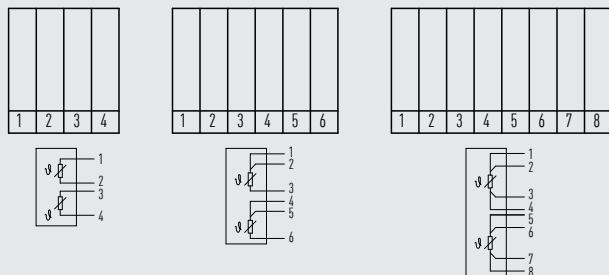
Rail-mounting terminals

1 x Pt100 or Pt1000
2-, 3- or 4-wire connection



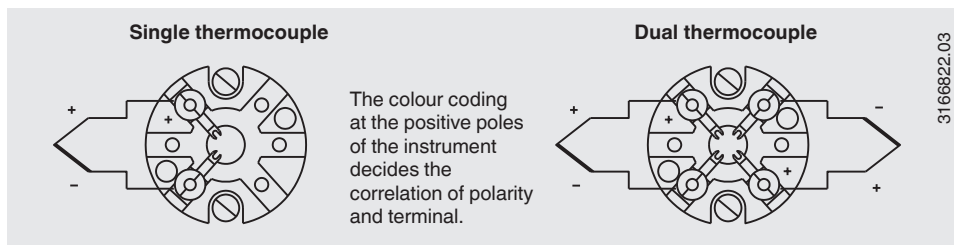
14382009.01

2 x Pt100
2-, 3- or 4-wire connection



5.3.2 Thermocouples

With terminal block



3166822.03

Colour code of cable strands

Type of sensor	Standard	Positive	Negative
K	IEC 60584	Green	White
J	IEC 60584	Black	White
E	IEC 60584	Violet	White
N	IEC 60584	Pink	White

5. Commissioning, operation

With cable or connector

	Cable For the marking of the cable ends, see table 3171966.01	Lemosa connector, male on the cable 3374896.01	Binder connector, male on the cable (screw-in plug) 3374900.01a
Single thermocouple			
Dual thermocouple			
Thermo connector	Positive and negative terminal are marked. Two thermo connectors are used with dual thermocouples.		

EN

5.4 Tightening torques

5.4.1 Tightening torques between cable gland and connection head

- Junction between cable gland and connection head

Thread	Tightening torques
M20 x 1.5	12 Nm
½ NPT	T.F.F.T 2 - 3 ¹⁾

- Junction between cable and cable gland
Screw the pressure screw tightly into the adapter (use appropriate tools!)

1) Turns from finger tight (T.F.F.T)

5. Commissioning, operation

5.4.2 Tightening torques between connection head and neck tube

Thread	Tightening torques	
	Connection head material	
	Aluminium	Stainless steel
½ NPT	T.F.F.T 2 - 3 ¹⁾	T.F.F.T 2 - 3 ¹⁾
¾ NPT	T.F.F.T 2 - 3 ¹⁾	T.F.F.T 2 - 3 ¹⁾
M24 x 1.5 with pressure screw ²⁾	27 Nm	30 Nm

5.4.3 Tightening torques for connection to thermowell

Thread	Tightening torques
½ NPT	T.F.F.T 2 - 3 ¹⁾
¾ NPT	T.F.F.T 2 - 3 ¹⁾
G ½ B	35 Nm
G ¾ B	40 Nm
M14 x 1.5	25 ... 30 Nm
M18 x 1.5	35 Nm
M20 x 1.5	35 ... 40 Nm
M27 x 2	40 ... 45 Nm

5.4.4 Tightening torques for compression fittings

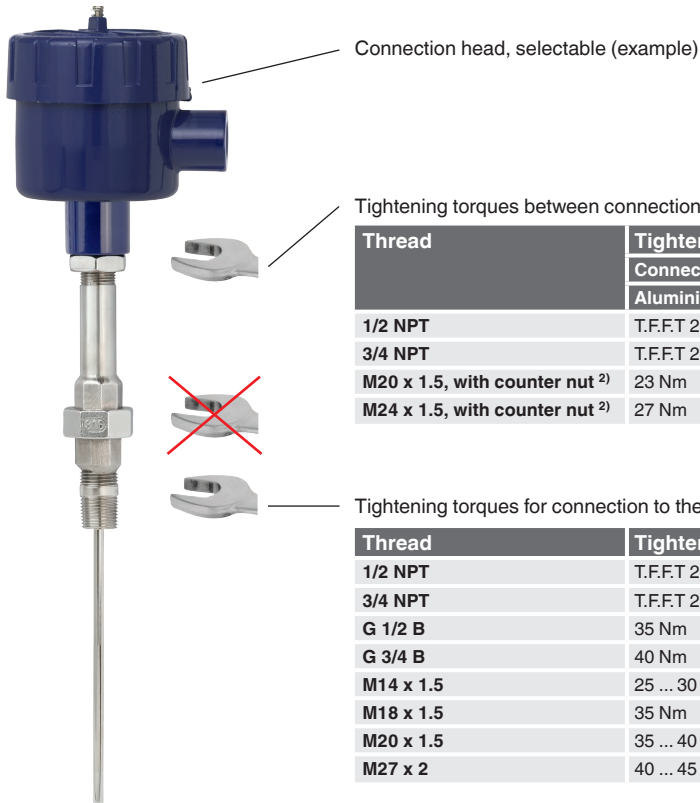
Sealing	Turns	Max. pressure in bar
Stainless steel ferrule	1 ¼ ... 1 ½	100
Stainless steel compression ring	1 ¼ ... 1 ½	100
PTFE ferrule	1 ¼ ... 1 ½	8

1) Turns from finger tight (T.F.F.T)

2) Only for versions with "nipple-union-nipple" neck tube

5. Commissioning, operation

5.4.5 Tightening torques for the thermometer



1) Turns from finger tight (T.F.F.T)

2) Only for versions with fabricated neck tube

- Only ever screw in, or unscrew, the instrument via the spanner flats and to the prescribed torque using an appropriate tool.
- The correct torque depends on the dimensions of the connection thread and the sealing used (form/material).
- When screwing in or unscrewing the instrument, do not use the connection head as contact surface.
- When screwing in the instrument, please observe that the threads are not skewed.

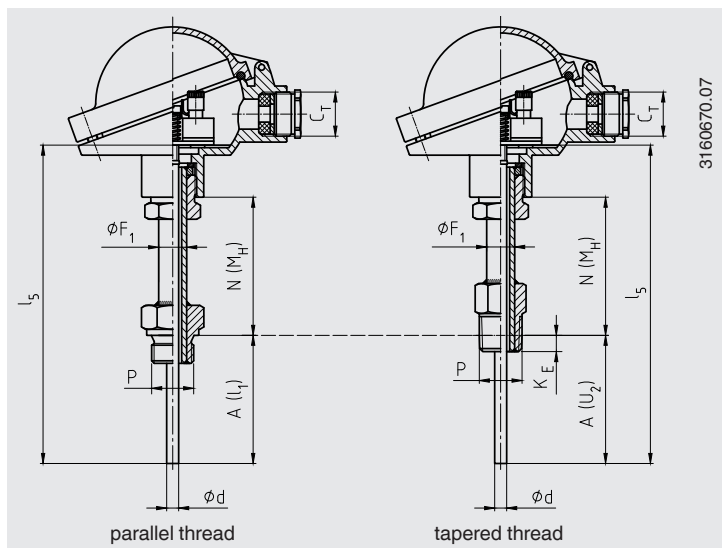
5. Commissioning, operation

5.5 Temperature carry-over from the process

A heat reflux from the process that exceeds the operating temperature of the transmitter (digital display) or case is not permitted and must be prevented by installing suitable heat insulation or a respectively long neck tube.

Increasing the distance of the connection components to hot surfaces

The neck length (N) is defined as the distance between the lower edge of the connection head or case and the heat-emitting surface. The expected temperature at the lower edge of the connection head or case should be a maximum of 80 °C. The conditions for built-in transmitters or displays must be considered, and if needed, the neck length should be increased.



To help select the minimum neck length, the following standard values have been determined.

Maximum medium temperature	Recommendation for dimension N	Recommendation for dimension X
100 °C	-	-
135 °C	20 mm	20 mm
200 °C	50 mm	50 mm
> 200 °C ≤ 450 °C	100 mm	100 mm

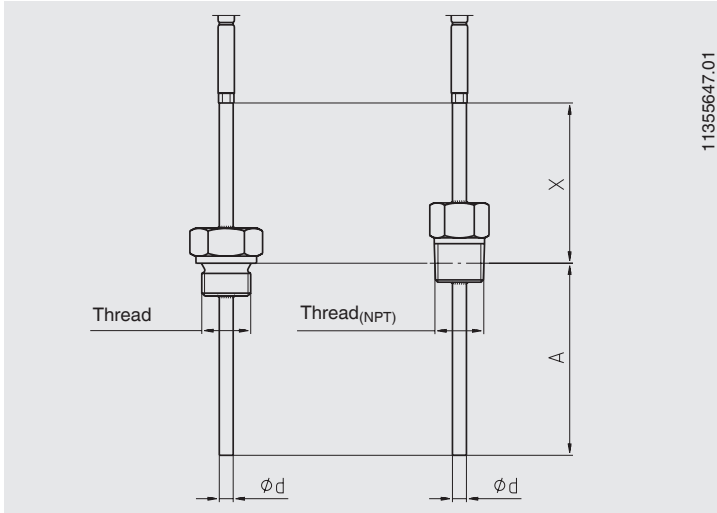
For thermometers fitted with a connecting cable, the temperature at the interface with the connecting cable is restricted. The maximum is 150 °C. To ensure that the permissible temperature is not exceeded, the dimension X must be selected accordingly.

5. Commissioning, operation

Increasing the distance of the connection components to hot surfaces

The length X is defined as the distance between the transition point from the cable to the heat-emitting surface. The expected temperature at the transition point should be a maximum of 120 °C.

- If necessary, the X length should be increased.



6. Additional notes for instruments with EHEDG and 3-A

6.1 Compliance with the conformity in accordance with 3-A

For a 3-A compliant connection for milk thread fittings per DIN 11851, suitable profile sealings have to be used (e.g. SKS Komponenten BV or Kieselmann GmbH).

Note:

To maintain the 3-A certification, one of the 3-A-approved process connections must be used. These are marked with the logo in the data sheet.

6.2 Compliance with EHEDG conformity

For an EHEDG conform connection, sealings in accordance with the current EHEDG policy document must be used.

Manufacturers of sealings

- Sealings for connections per ISO 2852, DIN 32676 and BS 4825 part 3: e.g. Combifit International B.V.
- Sealings for connections per DIN 11851: e.g. Kieselmann GmbH
- VARIVENT® sealings: e.g. GEA Tuchenhausen GmbH

6.3 Mounting instructions

Observe the following instructions, especially for EHEDG certified and 3-A conform instruments.

- To maintain the EHEDG certification, one of the EHEDG-recommended process connections must be used. These are marked with the logo in the data sheet.
- To maintain the conformity to the 3-A standard, a 3-A conform process connection must be used. These are marked with the logo in the data sheet.
- Mount the electrical thermometer including thermowell with minimal dead space and able to be cleaned easily.
- The mounting position of the electrical thermometer including thermowell, welding socket and instrumentation T-piece should be designed to be self-draining.
- The mounting position must not form a draining point or cause a basin to be formed.

6.4 Cleaning in place (CIP) cleaning process

- Only use cleaning agents which are suitable for the seals used.
- Cleaning agents must not be abrasive nor corrosively attack the materials of the wetted parts.
- Avoid thermal shocks or fast changes in the temperature. The temperature difference between the cleaning agent and rinsing with clear water should be as low as possible. Negative example: Cleaning with 80 °C and rinsing at +4 °C with clear water.

7. Faults



CAUTION!

Physical injuries and damage to property and the environment

If faults cannot be eliminated by means of the listed measures, the instrument must be taken out of operation immediately.

- ▶ Ensure that there is no longer any signal present and protect against being put into operation accidentally.
- ▶ Contact the manufacturer.
- ▶ If a return is needed, please follow the instructions given in chapter 9.2 “Return”.

EN



WARNING!

Physical injuries and damage to property and the environment caused by hazardous media

Upon contact with hazardous media (e.g. oxygen, acetylene, flammable or toxic substances), harmful media (e.g. corrosive, toxic, carcinogenic, radioactive), and also with refrigeration plants and compressors, there is a danger of physical injuries and damage to property and the environment. Should a failure occur, aggressive media with extremely high temperature and under high pressure or vacuum may be present at the instrument.

- ▶ For these media, in addition to all standard regulations, the appropriate existing codes or regulations must also be followed.
- ▶ Wear the required protective equipment (depending on the application; the thermometer itself is basically not dangerous).



For contact details, please see chapter 1 “General information” or the back page of the operating instructions.

Faults	Causes	Measures
No signal/cable break	Mechanical load too high or overtemperature	Replace probe or measuring insert with one of a suitable design
Erroneous measured values	Sensor drift caused by overtemperature	Replace probe or measuring insert with one of a suitable design
	Sensor drift caused by chemical attack	Use a suitable thermowell.
Erroneous measured values (too low)	Entry of moisture into cable or measuring insert	Replace probe or measuring insert with one of a suitable design
Erroneous measured values and response times too long	Wrong mounting geometry, for example mounting depth too deep or heat dissipation too high	The temperature-sensitive area of the sensor must be inside the medium, and surface measurements must be ungrounded
	Deposits on the sensor or thermowell	Remove deposits

7. Faults / 8. Maintenance, cleaning and calibration

Faults	Causes	Measures
Erroneous measured values (of thermocouples)	Parasitic voltages (thermal voltages, galvanic voltage) or wrong equalisation line	Use suitable compensating cable
Display of measured value jumps	Cable break in connecting cable or loose contact caused by mechanical overload	Replace probe or measuring insert with a suitable design, for example equipped with a strain relief or a thicker conductor cross-section
Corrosion	Composition of the medium not as expected or modified or wrong thermowell material selected	Analyse medium and then select a more suitable material or replace thermowell regularly
Signal interference	Stray currents caused by electric fields or earth loops	Use shielded connecting cables, and increase the distance to motors and power cables
	Earth loops	Eliminate potential differences by using galvanically isolated barriers or transmitters

EN

8. Maintenance, cleaning and calibration



For contact details, please see chapter 1 “General information” or the back page of the operating instructions.

8.1 Maintenance

The thermometers described here are maintenance-free.

Repairs must only be carried out by the manufacturer.

8.2 Cleaning



CAUTION!

Physical injuries and damage to property and the environment

Improper cleaning may lead to physical injuries and damage to property and the environment. Residual media in the dismantled instrument can result in a risk to persons, the environment and equipment.

- ▶ Carry out the cleaning process as described below.

8. Maintenance, cleaning and calibration

EN

- ▶ When cleaning from outside (“wash down”), observe the permissible temperature and ingress protection.
- ▶ Prior to cleaning, properly disconnect the instrument.
- ▶ Use the required protective equipment (depending on the application; the thermometer itself is basically not dangerous).
- ▶ Clean the instrument with a moist cloth.
This applies in particular to thermometers with a case made of plastic and cable probes with plastic-insulated connecting cable, in order to ensure that any risk of electrostatic charge is avoided.
Electrical connections must not come into contact with moisture!



CAUTION!

Damage to the instrument

Improper cleaning may lead to damage to the instrument!

- ▶ Do not use any aggressive cleaning agents.
 - ▶ Do not use any pointed and hard objects for cleaning.
- ▶ Wash or clean the dismantled instrument, in order to protect persons and the environment from exposure to residual media.

8.3 Calibration, recalibration

It is recommended that the measuring insert is recalibrated at regular intervals (resistance thermometers: approx. 24 months, thermocouples: approx. 12 months). This period can reduce, depending on the particular application. The calibration can be carried out by the manufacturer, as well as on site by qualified technical staff with calibration instruments.

8.3.1 Instruments with removable measuring insert

(models Tx10-B, Tx10-C, Tx10-D, Tx10-F, TR10-J, Tx10-L, Tx10-O, TR11-C, Tx12-B, Tx12-M, TR22-A, TR22-B, TR55, Tx81)

For calibration, the measuring insert is removed from the thermometer.

The minimum length (metal part of the probe) for carrying out a measurement accuracy test 3.1 or DKD/DAkkS is 100 mm.

8.3.2 Instruments with non-removable measuring insert or cable probes

(models Tx10-H, TR21-A, TR21-B, TR21-C, TR30, TR31, TR33, TR34, TR36, Tx40, TR41, Tx50, Tx53, TR75)

The minimum length (metal part of the probe or the length of the probe below the process connection) for carrying out a measurement accuracy test 3.1 or DKD/DAkkS is 100 mm.

8.3.3 Measuring inserts

(models Tx10-A, Tx10-K, TR11-A, Tx12-A)

The minimum length for carrying out a measurement accuracy test 3.1 or DKD/DAkkS is 100 mm.

8. Maintenance ... / 9. Dismounting, return and disposal

8.3.4 Multipoint thermometers

(models TC94, Tx95, TC96-O, TC96-R, TC96-M, TC97)

The individual thermometers are calibrated before final assembly.

8.3.5 Instruments with ceramic protection tube

(models TC80, TC82, TC83, TC84, TC85)

The minimum length (ceramic part of the probe) for carrying out a measurement accuracy test 3.1 or DKD/DAkkS is 350 mm for standard versions. Calibration of instruments with ceramic lengths of 200 mm to 350 mm on request.

8.3.6 Flush and in-line instruments

(models TR20, TR25)

The thermometer is immersed in a liquid bath for calibration.

8.3.7 Not calibratable

(models TR57-M, TR60, Tx90)

Standard versions of this instrument cannot be calibrated.

9. Dismounting, return and disposal

9.1 Dismounting



WARNING!

Physical injuries and damage to property and the environment through residual media

Upon contact with hazardous media (e.g. oxygen, acetylene, flammable or toxic substances), harmful media (e.g. corrosive, toxic, carcinogenic, radioactive), and also with refrigeration plants and compressors, there is a danger of physical injuries and damage to property and the environment.

- ▶ Before storage of the dismantled instrument (following use) wash or clean it, in order to protect persons and the environment from exposure to residual media.
- ▶ Use the required protective equipment (depending on the application; the thermometer itself is basically not dangerous).
- ▶ Observe the information in the material safety data sheet for the corresponding medium.

Only disconnect the thermometer once the system has been depressurised.



WARNING!

Risk of burns

During dismantling there is a risk of dangerously hot media escaping.

- ▶ Let the instrument cool down sufficiently before dismantling it!

9. Dismounting, return and disposal

9.2 Return

Strictly observe the following when shipping the instrument:

All instruments delivered to WIKA must be free from any kind of hazardous substances (acids, bases, solutions, etc.) and must therefore be cleaned before being returned.

EN



WARNING!

Physical injuries and damage to property and the environment through residual media

Residual media in the dismantled instrument can result in a risk to persons, the environment and equipment.

- ▶ With hazardous substances, include the material safety data sheet for the corresponding medium.
- ▶ Clean the instrument, see chapter 8.2 “Cleaning”.

When returning the instrument, use the original packaging or a suitable transport packaging.

To avoid damage:

1. Place the instrument, along with the shock-absorbent material, in the packaging.
Place shock-absorbent material evenly on all sides of the transport packaging.
2. If possible, place a bag containing a desiccant inside the packaging.
3. Label the shipment as carriage of a highly sensitive measuring instrument.



Information on returns can be found under the heading “Service” on our local website.

9.3 Disposal

Incorrect disposal can put the environment at risk.

Dispose of instrument components and packaging materials in an environmentally compatible way and in accordance with the country-specific waste disposal regulations.



Do not dispose of with household waste. Ensure a proper disposal in accordance with national regulations.

10. Specifications

Due to the large variance, the specifications are very extensive. Therefore we refer to the corresponding WIKA data sheets and also the order documentation.

EN

■ Resistance thermometers

Model	Data sheet
TR10-0	TE 61.01
TR10-A	TE 60.01
TR10-B	TE 60.02
TR10-C	TE 60.03
TR10-D	TE 60.04
TR10-F	TE 60.06
TR10-H	TE 60.08
TR10-J	TE 60.10
TR10-K	TE 60.11
TR11-A	TE 60.13
TR11-C	TE 60.14
TR11-H	-
TR20	TE 60.20
TR22-A	TE 60.22
TR22-B	TE 60.23
TR25	TE 60.25
TR40	TE 60.40
TR41	TE 60.41
TR50	TE 60.50
TR51	TE 60.51
TR53	TE 60.53
TR55	TE 60.55
TR60	TE 60.60
TR81	TE 60.81
TR95	TE 70.01

■ Thermocouples

Model	Data sheet
TC10-0	TE 66.01
TC10-A	TE 65.01
TC10-B	TE 65.02
TC10-C	TE 65.03
TC10-D	TE 65.04
TC10-F	TE 65.06
TC10-H	TE 65.08
TC10-K	TE 65.11
TC40	TE 65.40
TC50	TE 65.50
TC53	TE 65.53
TC55	TE 65.55
TC80	TE 65.80
TC81	TE 65.81
TC82	TE 65.82
TC83	TE 65.83
TC95	TE 70.01

11. Accessories

11. Accessories



The seals can be ordered from WIKA, indicating the WIKA order number and/or the designation (see table).

EN

WIKA order number	Designation	Suitable for threads
11349981	per DIN 7603 form C 14 x 18 x 2 -CuFA	G ¼, M14 x 1.5
11349990	per DIN 7603 form C 18 x 22 x 2 -CuFA	M18 x 1.5, G ¾
11350008	per DIN 7603 form C 21 x 26 x 2 -CuFA	G ½, M20 x 1.5
11350016	per DIN 7603 form C 27 x 32 x 2.5 -CuFA	G ¾, M27 x 2
11367416	per DIN 7603 form C 20 x 24 x 2 -CuFA	M20 x 1.5
1248278	per DIN 7603 D21.2 x D25.9 x 1.5 -Al	G ½, M20 x 1.5
3153134	per DIN 7603 form C D14.2 x D17.9 x 2 -StFA	G ¼, M14 x 1.5
3361485	per DIN 7603 form C D33.3 x D38.9 x 2.5 -StFA	G 1

Legend:

CuFA = Copper, max. 45HB^a; filled with asbestos-free sealing material

Al = Aluminium Al99; F11, 32 to 45 HB^b

StFA = Soft iron, 80 to 95 HB^a; filled with asbestos-free sealing material

Inhalt

1. Allgemeines	32
2. Aufbau und Funktion	32
3. Sicherheit	33
4. Transport, Verpackung und Lagerung	37
5. Inbetriebnahme, Betrieb	38
6. Zusätzliche Hinweise für Geräte mit EHEDG und 3-A	50
7. Störungen	51
8. Wartung, Reinigung und Kalibrierung	52
9. Demontage, Rücksendung und Entsorgung	54
10. Technische Daten	56
11. Zubehör	57

Betroffene Typen:

- ▶ Diese Betriebsanleitung ist für eine Vielzahl von Produkten gültig. Eine genau Auflistung dieser Typen siehe Kapitel 10 „Technische Daten“ (Seite 56).

DE

1. Allgemeines

- Die in der Betriebsanleitung beschriebenen Thermometer werden nach dem aktuellen Stand der Technik gefertigt.
- Diese Betriebsanleitung gibt wichtige Hinweise zum Umgang mit dem Gerät. Voraussetzung für sicheres Arbeiten ist die Einhaltung aller angegebenen Sicherheitshinweise und Handlungsanweisungen.
- Die für den Einsatzbereich des Gerätes geltenden örtlichen Unfallverhütungsvorschriften und allgemeinen Sicherheitsbestimmungen einhalten.
- Das Fachpersonal muss die Betriebsanleitung vor Beginn aller Arbeiten sorgfältig durchgelesen und verstanden haben.
- Technische Änderungen vorbehalten.
- Weitere Informationen:
 - Internet-Adresse: www.wika.de / www.wika.com
 - Zugehöriges Datenblatt: siehe Kapitel 10 „Technische Daten“
 - Anwendungsberater: Tel.: +49 9372 132-0
Fax: +49 9372 132-406
info@wika.de

2. Aufbau und Funktion

2.1 Beschreibung

Diese Widerstandsthermometer und Thermoelemente dienen zur Temperaturmessung in industriellen Anwendungen.

Dieses Dokument beschreibt Geräte in Standardausführung. Für Anwendungen in explosionsgefährdeten Bereichen sind spezielle Geräteausführungen erforderlich.

Weitere Informationen für den Einsatz im explosionsgefährdeten Bereich siehe Zusatzinformation für die entsprechende Zündschutzart (separates Dokument).

Das Gerät ist ausschließlich für den hier beschriebenen bestimmungsgemäßen Verwendungszweck konzipiert und konstruiert und darf nur dementsprechend verwendet werden.

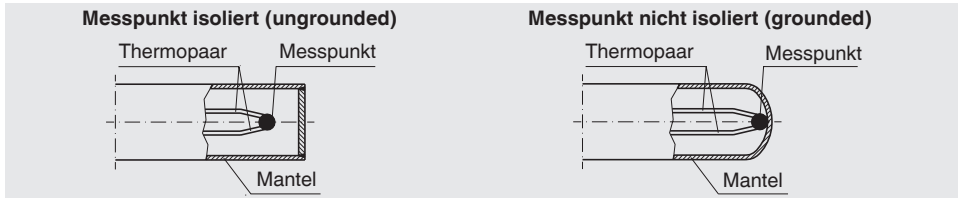
Messpunkt isoliert

Das Thermometer Typ TRxx oder Typ TCxx besteht aus einem verschweißten Rohr, einer mineralisolierten Mantelleitung oder aus keramikisolierten Thermodrähten, worin sich der Temperatursensor befindet. Dieser ist in einem Keramikpulver, einer temperaturbeständigen Vergussmasse, Zementmasse oder einer Wärmeleitpaste eingebettet.

Thermoelemente, nicht isoliert (grounded)

Für besondere Anwendungen z. B. Oberflächentemperaturmessungen, sind die Sensoren direkt mit der Schutzhülse kontaktiert, bzw. sind die Messpunkte bei Thermoelementen mit dem Boden verschweißt.

DE



Elektrischer Anschluss

Anschlusseitig ist das Thermometer mit einem Gehäuse, einem Stecker oder freien Anschlussleitungen ausgerüstet. In der Gehäuseausführung befinden sich Anschlussklemmen oder bescheinigte Transmitter. Optional können in die Gehäuse separat bescheinigte Digitalanzeigen eingebaut sein.

2.2 Lieferumfang

Lieferumfang mit dem Lieferschein abgleichen.

3. Sicherheit

3.1 Symbolerklärung



WARNUNG!

... weist auf eine möglicherweise gefährliche Situation hin, die zum Tod oder zu schweren Verletzungen führen kann, wenn sie nicht gemieden wird.



VORSICHT!

... weist auf eine möglicherweise gefährliche Situation hin, die zu geringfügigen oder leichten Verletzungen bzw. Sach- und Umweltschäden führen kann, wenn sie nicht gemieden wird.

3. Sicherheit



WARNUNG!

... weist auf eine möglicherweise gefährliche Situation hin, die durch heiße Oberflächen oder Flüssigkeiten zu Verbrennungen führen kann, wenn sie nicht gemieden wird.

DE



Information

... hebt nützliche Tipps und Empfehlungen sowie Informationen für einen effizienten und störungsfreien Betrieb hervor.

3.2 Bestimmungsgemäße Verwendung

Die hier beschriebenen Thermometer sind geeignet zur Temperaturmessung in industriellen Anwendungen.

Diese Thermometer können je nach Ausführung direkt in den Prozess oder in ein Schutzrohr eingebaut werden. Die Bauformen der Schutzrohre sind beliebig auswählbar, jedoch sind die operativen Prozessdaten (Temperatur, Druck, Dichte und Strömungsgeschwindigkeit) zu berücksichtigen.

Reparaturen sowie bauliche Veränderungen sind nicht zulässig und führen zur Erlöschung der Garantie und der jeweiligen Zulassung. Bauliche Veränderungen nach Auslieferung der Geräte obliegen nicht in der Verantwortung des Herstellers.

Das Gerät ist ausschließlich für den hier beschriebenen bestimmungsgemäßen Verwendungszweck konzipiert und konstruiert und darf nur dementsprechend verwendet werden.

Die technischen Spezifikationen in dieser Betriebsanleitung sind einzuhalten.

Ansprüche jeglicher Art aufgrund von nicht bestimmungsgemäßer Verwendung sind ausgeschlossen.

3.3 Verantwortung des Betreibers

Die Verantwortung für die Auswahl des Thermometers bzw. Schutzrohres, sowie für deren Werkstoffauswahl zur Gewährleistung einer sicheren Funktion in der Anlage bzw. Maschine obliegt dem Betreiber. WIKA kann während der Angebotserstellung lediglich Empfehlungen aussprechen, die sich an unseren Erfahrungen in ähnlichen Applikationen orientieren.

Die Sicherheitshinweise dieser Betriebsanleitung, sowie die für den Einsatzbereich des Gerätes gültigen Sicherheits-, Unfallverhütungs- und Umweltschutzvorschriften einhalten.

Der Betreiber ist verpflichtet das Typenschild lesbar zu halten.

3.4 Personalqualifikation



WARNUNG!

Verletzungsgefahr bei unzureichender Qualifikation

Unsachgemäßer Umgang kann zu erheblichen Personen- und Sachschäden führen.

- ▶ Die in dieser Betriebsanleitung beschriebenen Tätigkeiten nur durch Elektrofachpersonal nachfolgend beschriebener Qualifikation durchführen lassen.

DE

Elektrofachpersonal

Das Elektrofachpersonal ist aufgrund seiner fachlichen Ausbildung, Kenntnisse und Erfahrungen sowie Kenntnis der landesspezifischen Vorschriften, geltenden Normen und Richtlinien in der Lage, Arbeiten an elektrischen Anlagen auszuführen und mögliche Gefahren selbstständig zu erkennen und zu vermeiden. Das Elektrofachpersonal ist speziell für das Arbeitsumfeld, in dem es tätig ist, ausgebildet und kennt die relevanten Normen und Bestimmungen. Das Elektrofachpersonal muss die Bestimmungen der geltenden gesetzlichen Vorschriften zur Unfallverhütung erfüllen.

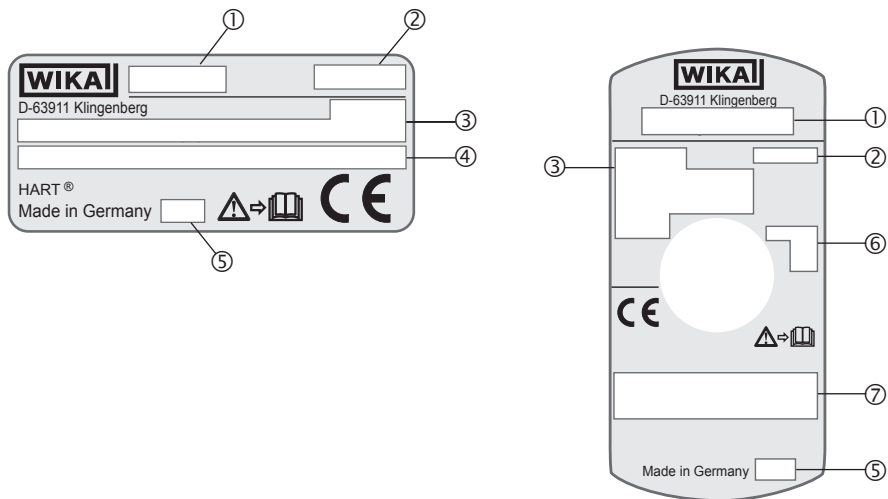
Bedienpersonal

Das vom Betreiber geschulte Personal ist aufgrund seiner Bildung, Kenntnisse und Erfahrungen in der Lage, die beschriebenen Arbeiten auszuführen und mögliche Gefahren selbstständig zu erkennen.

Spezielle Einsatzbedingungen verlangen weiteres entsprechendes Wissen, z. B. über aggressive Medien.

3.5 Beschilderung, Sicherheitskennzeichnungen

Typenschilder (Beispiele)



- ① Typ
- ② Seriennummer
- ③ Angaben zur Ausführung (Messelement, Messbereich...)




Sensor gemäß Norm (Widerstandsthermometer)

- F = Dünnschicht-Messwiderstand
- FT = Dünnschicht-Messwiderstand, spitzsensitiv
- W = Drahtgewickelter Messwiderstand

Sensor gemäß Norm (Thermoelement)

- ungrounded
- grounded

- ④ Transmittertyp (nur bei Ausführung mit Transmitter)
- ⑤ Herstellungsjahr
- ⑥ Sensorsymbol

- ungrounded  = isoliert verschweißt
- grounded  = mit dem Mantel verschweißt (geerdet)
- quasi geerdet  = Das Thermometer ist, aufgrund geringer Isolationsabstände zwischen Sensor und Mantel, als geerdet zu betrachten.

- ⑦ Zulassungsrelevante Daten (Nicht-Ex-Ausführung = keine Angaben)



Vor Montage und Inbetriebnahme des Gerätes unbedingt die Betriebsanleitung lesen!

4. Transport, Verpackung und Lagerung

4.1 Transport

Gerät auf eventuell vorhandene Transportschäden untersuchen.
Offensichtliche Schäden unverzüglich mitteilen.



VORSICHT!

Beschädigungen durch unsachgemäßen Transport

Bei unsachgemäßem Transport können Sachschäden in erheblicher Höhe entstehen.

- ▶ Beim Abladen der Packstücke bei Anlieferung sowie innerbetrieblichem Transport vorsichtig vorgehen und die Symbole auf der Verpackung beachten.
- ▶ Bei innerbetrieblichem Transport die Hinweise unter Kapitel 4.2 „Verpackung und Lagerung“ beachten.

Wird das Gerät von einer kalten in eine warme Umgebung transportiert, so kann durch Kondensatbildung eine Störung der Gerätefunktion eintreten. Vor einer erneuten Inbetriebnahme die Angleichung der Gerätetemperatur an die Raumtemperatur abwarten.

4.2 Verpackung und Lagerung

Verpackung erst unmittelbar vor der Montage entfernen.

Zulässige Bedingungen am Lagerort:

Lagertemperatur:

Geräte **ohne** eingebauten Transmitter: -40 ... +80 °C

Geräte **mit** eingebautem Transmitter: siehe Betriebsanleitung des entsprechenden Transmitters

Folgende Einflüsse vermeiden:

- Direktes Sonnenlicht oder Nähe zu heißen Gegenständen
- Mechanische Vibration, mechanischer Schock (hartes Aufstellen)
- Ruß, Dampf, Staub und korrosive Gase
- Explosionsgefährdete Umgebung, entzündliche Atmosphären

Das Gerät in der Originalverpackung an einem Ort lagern, der die oben gelisteten Bedingungen erfüllt. Wenn die Originalverpackung nicht vorhanden ist, dann das Gerät wie folgt verpacken und lagern:

1. Das Gerät mit dem Dämmmaterial in der Verpackung platzieren.
2. Bei längerer Einlagerung (mehr als 30 Tage) einen Beutel mit Trocknungsmittel der Verpackung beilegen.

5. Inbetriebnahme, Betrieb



WARNUNG!

Beschädigung des MessGerätes durch Unter- oder Überschreiten der zulässigen Betriebstemperatur

Bei Missachtung der zulässigen Betriebstemperatur, auch unter Berücksichtigung von Konvektion und Wärmestrahlung, kann das Thermometer bereits während der Montage beschädigt werden.

- ▶ Spezifizierter Betriebstemperaturbereich nicht unter- oder überschreiten.

5.1 Mechanische Montage

5.1.1 Stufen-Thermometer

Diese sind in der Regel mit einem Gehäuse ausgestattet, in welchem Transmitter oder Reihenklemmen montiert sind.

Die Transmitter/Digitalanzeigen sind mechanisch befestigt (z. B. Schienensystem im Gehäuse oder Halterung im Anschlusskopf).

5.1.2 Kabelfühler

Diese sind in der Regel nicht mit einem Gehäuse ausgestattet. Sie können jedoch in einem zusätzlichen Gehäuse angeschlossen werden, in welchem Transmitter oder Reihenklemmen montiert sind.

5.1.3 Zylindrische Gewinde

Wenn Thermometeranschlusskopf, Halsrohr, Schutzrohr oder Prozessanschluss mit zylindrischen Gewinden (z. B. G 1/2, M20 x 1,5 ...) verbunden werden, müssen diese Gewinde mit Dichtungen gegen den Eintritt von Flüssigkeiten in das Thermometer gesichert werden.

WIKA verwendet standardmäßig eine Kupferdichtung für die Verbindung Halsrohr zum Schutzrohr und eine Papier-Flachdichtung für die Verbindung Anschlusskopf zum Halsrohr oder Schutzrohr.

Bei Zusammenbauten von Thermometer und Schutzrohr sind diese Dichtungen bereits vormontiert (sofern bestellt). Es obliegt dem Betreiber der Anlage, die Eignung dieser Dichtung im Hinblick auf die Einsatzbedingungen zu überprüfen und ggfs. durch eine geeignete Dichtung zu ersetzen (siehe Kapitel 11 „Zubehör“).

Dichtungen nach einer Demontage ersetzen!

5.1.4 Kegelige Gewinde

Die Notwendigkeit einer zusätzlichen Dichtung bei NPT-Gewinden oder anderen kegeligen Gewinden mit PTFE-Band oder Hanf prüfen. Die Gewinde sollten vor der Montage mit einem geeigneten Mittel geschmiert werden.

5.1.5 Montagehinweise für elektrische Thermometer mit keramischem Schutzrohr

Keramische Schutzrohrwerkstoffe sind nur bedingt temperaturwechselbeständig. Ein Temperaturschock führt deshalb leicht zu Spannungsrissen und somit zur Beschädigung des Schutzrohres.

Thermoelemente mit Keramik- oder Saphir-Schutzrohren deshalb vor der Montage vorwärmen und dann langsam in den heißen Prozess eintauchen.

Nach DIN 43724 wird für Schutzrohre mit einem Durchmesser von 24/26 mm eine Einschiebegeschwindigkeit von 1 cm/min empfohlen. Bei den kleineren Durchmessern 10/15 mm kann diese auf 50 cm/min erhöht werden. Grundsätzlich erfordern höhere Prozesstemperaturen eine geringere Einschiebegeschwindigkeit.

Neben dem Schutz vor thermischer Spannung müssen die Keramik-Schutzrohre auch vor mechanischer Belastung geschützt werden. Ursache solcher schädlicher Belastungen sind Biegekräfte bei waagrechter Einbaulage. Somit bei waagrecht Einbau je nach Durchmesser, größeren Nennlängen und Bauform eine zusätzliche Abstützung bauseits vorsehen.

Der Hinweis zur Durchbiegungsproblematik gilt prinzipiell auch für metallische Schutzrohre, insbesondere bei Einbaulängen > 500 mm. Bei Prozesstemperaturen > 1.200 °C grundsätzlich den senkrechten Einbau bevorzugen.

Aufgrund der hohen thermischen, chemischen und mechanischen Belastungen, denen die Keramik- oder Saphir-Schutzrohre im Betrieb ausgesetzt sind, kann eine generelle Angabe über die Einsatzdauer nur bedingt gegeben werden. Dies gilt insbesondere für Anwendungen in hochbelasteten Prozessen wie z. B. Vergasungsreaktoren. Dementsprechend handelt es sich bei den prozesseitigen Teilen der Thermoelemente um Verschleißteile, die nicht unter die Gewährleistung fallen.

Keramische Schutzrohre mit Spülanschluss

Für keramische Schutzrohre mit Spülanschluss werden als Grundeinstellung folgende Werte empfohlen:

Druck des Spülgases: 0,25 ... 0,35 bar [3,6 ... 5,1 psi] über maximalem Prozessdruck

Durchflussmenge: ca. 10 ... 12 Liter pro Stunde

Spülgas: Stickstoff

Je nach Prozess kann eine Anpassung der oben genannten Werte erforderlich sein. Die Verantwortung hierfür liegt beim Anwender.

5.2 Elektrische Montage

Einsatz eines Transmitters/Digitalanzeige (Option):

Den Inhalt der zum Transmitter/Digitalanzeige gehörenden Betriebsanleitung (siehe Lieferumfang) beachten.

Kabelverschraubungen

Voraussetzungen zur Erreichung der Schutzart:

- Kabelverschraubung nur im angegebenen Klemmbereich (Kabeldurchmesser passend zur Kabelverschraubung) verwenden.
- Bei Verwendung sehr weicher Kabeltypen nicht den unteren Klemmbereich verwenden.
- Nur Rundkabel verwenden (ggf. leicht ovaler Querschnitt).
- Kabel nicht verdrehen.
- Mehrmaliges Öffnen/Schließen möglich; hat ggf. jedoch negative Auswirkung auf die Schutzart
- Bei Kabeln mit ausgeprägtem Kaltfließverhalten Verschraubung nachziehen.

5.3 Elektrischer Anschluss



VORSICHT!

Kurzschlussgefahr

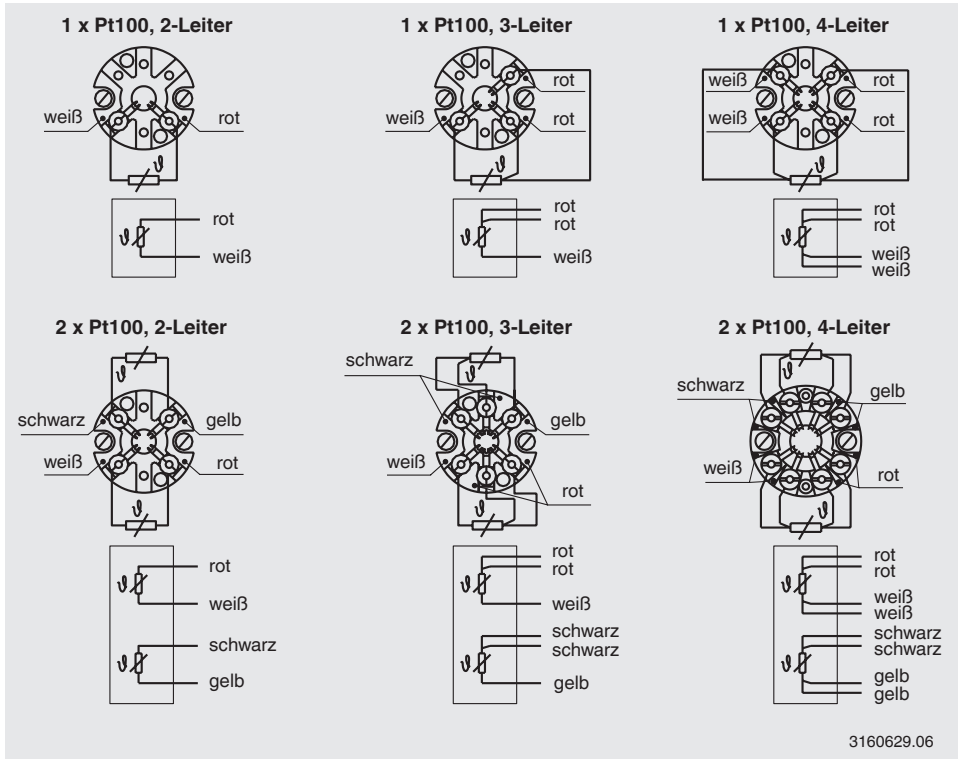
Beschädigung an Kabeln und Leitungen, sowie Verbindungsstellen können zu Fehlfunktion des Gerätes führen.

- ▶ Beschädigungen an Kabeln und Leitungen vermeiden. Feindrähtige Leitungen mit Aderendhülsen versehen.

5. Inbetriebnahme, Betrieb

5.3.1 Widerstandsthermometer

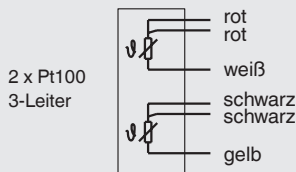
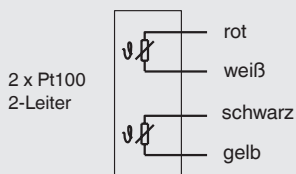
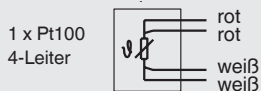
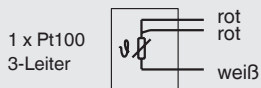
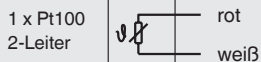
Standard-Klemmsockel (Farbcode nach IEC/EN 60751)



DE

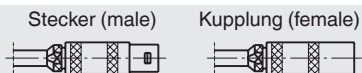
Belegung und Farbcodierung für Pt1000 wie für Pt100
Pt1000 nur als Einzelelemente verfügbar

Ohne Stecker



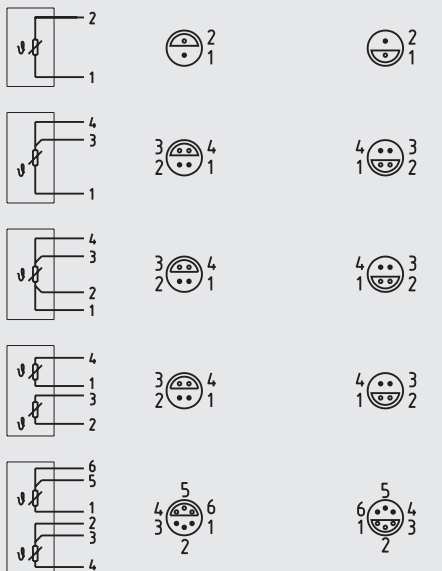
3160629.06

Lemosa-Stecker



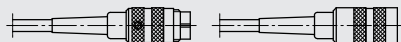
Ansicht von vorn

Ansicht von vorn



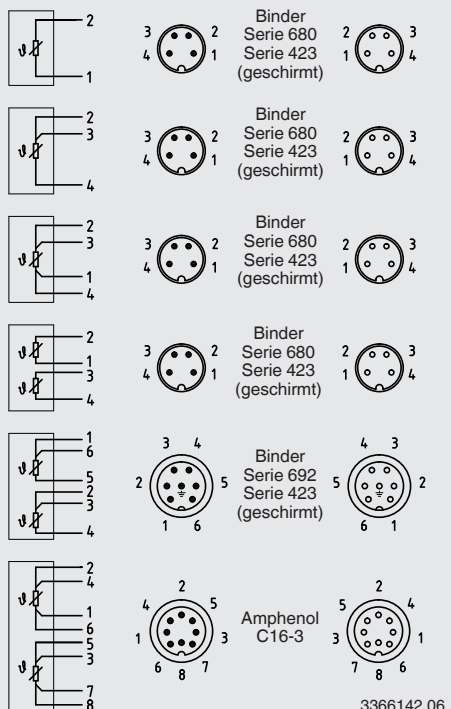
Schraub-Steck-Verbinder (Amphenol, Binder)

Stecker (male) Kupplung (female)



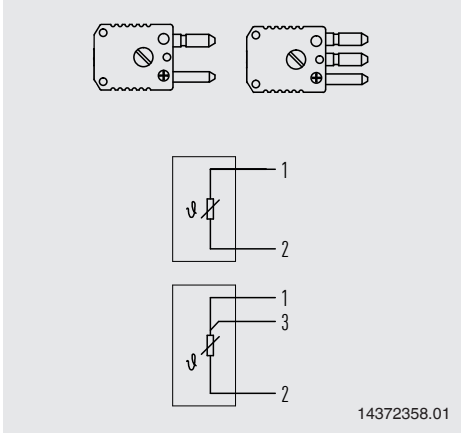
Ansicht auf Steckerkontakte

Ansicht auf Buchsenkontakte

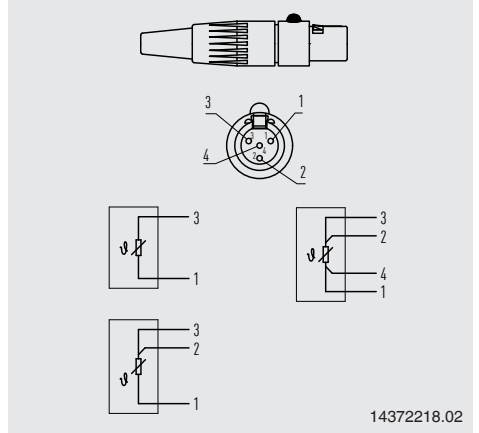


5. Inbetriebnahme, Betrieb

Thermostecker (RTD, male)

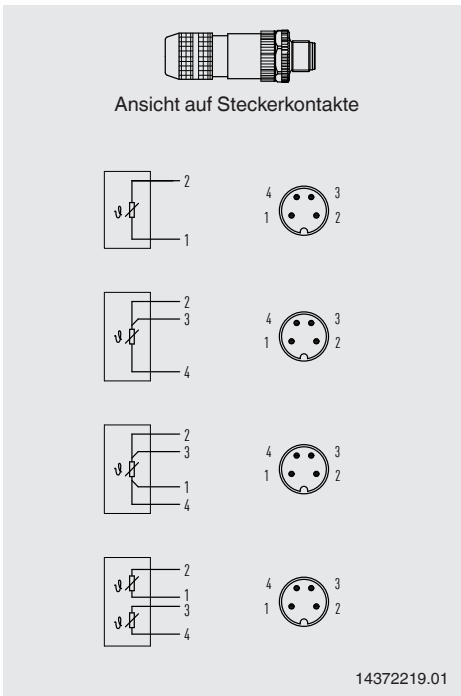


XLR-Mini-Stecker (female)

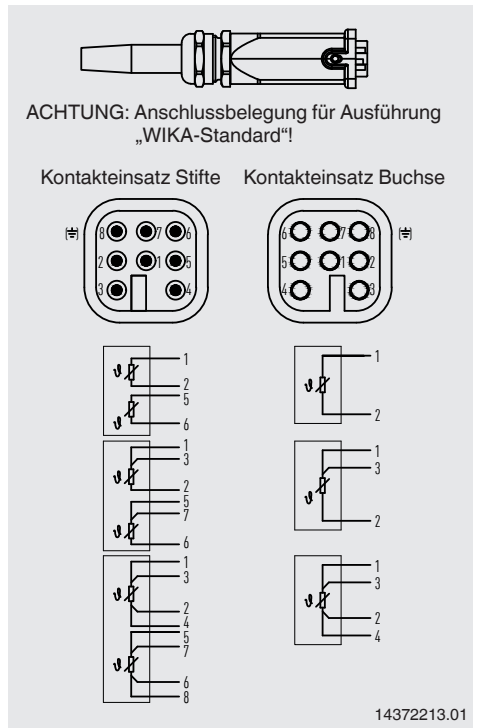


DE

Binder Schraub-Steck-Verbinder (male), M12 x 1 (Serie 713)



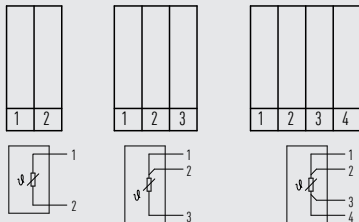
Harting-Stecker



14150915.07 11/2020 EN/DE/FR/ES

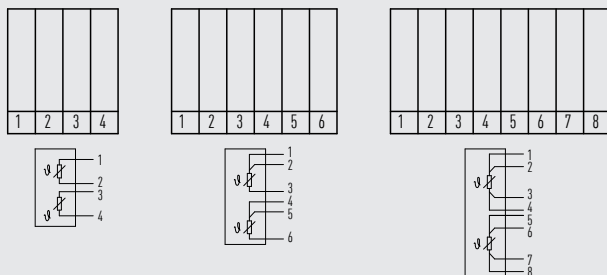
Reihenklennen

1 x Pt100 oder Pt1000
2-, 3- oder 4-Leiter-Schaltung



14382009.01

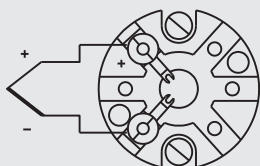
2 x Pt100
2-, 3- oder 4-Leiter-Schaltung



5.3.2 Thermoelemente

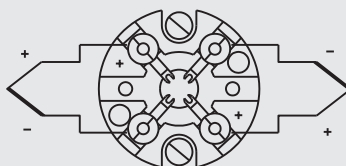
Mit Anschlusssockel

Einfach-Thermoelement



Für die Zuordnung Polarität - Klemme gilt die farbliche Kennzeichnung der Plus-Pole am Gerät

Doppel-Thermoelement





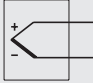
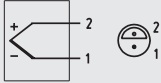
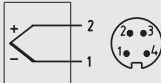
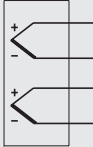
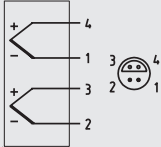
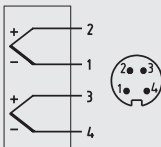
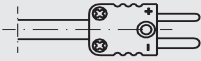
3166822.03

Farbkennzeichnung der Kabellitzen

Sensortyp	Norm	Plus-Pol	Minus-Pol
K	IEC 60584	Grün	Weiß
J	IEC 60584	Schwarz	Weiß
E	IEC 60584	Violett	Weiß
N	IEC 60584	Rosa	Weiß

5. Inbetriebnahme, Betrieb

Mit Kabel oder Stecker

	Kabel	Lemosa-Stecker, male am Kabel	Binder-Stecker, male am Kabel (Schraub-Steck-Verbindung)
	Kennzeichnung der Adernenden siehe Tabelle		
	3171966.01	3374896.01	3374900.01a
Einfach-Thermopaar			
Doppel-Thermopaar			
Thermostecker	Plus-Pol und Minus-Pol sind gekennzeichnet. Bei doppelten Thermopaaren werden zwei Thermostecker verwendet.		

DE

5.4 Anzugsdrehmomente

5.4.1 Anzugsdrehmomente zwischen Kabelverschraubung und Anschlusskopf

- Verbindung zwischen Kabelverschraubung und Anschlusskopf

Gewinde	Anzugsdrehmomente
M20 x 1,5	12 Nm
½ NPT	T.F.F.T 2 - 3 ¹⁾

- Verbindung zwischen Kabel und Kabelverschraubung
Die Druckschraube fest in das Zwischenstück einschrauben (geeignete Werkzeuge verwenden!)

1) Umdrehungen nach handfestem Anziehen („turns from finger tight (T.F.F.T)“)

5. Inbetriebnahme, Betrieb

5.4.2 Anzugsdrehmomente zwischen Anschlusskopf und Halsrohr

Gewinde	Anzugsdrehmomente	
	Werkstoff Anschlusskopf	
	Aluminium	CrNi-Stahl
½ NPT	T.F.F.T 2 - 3 ¹⁾	T.F.F.T 2 - 3 ¹⁾
¾ NPT	T.F.F.T 2 - 3 ¹⁾	T.F.F.T 2 - 3 ¹⁾
M24 x 1,5 mit Druckschraube ²⁾	27 Nm	30 Nm

DE

5.4.3 Anzugsdrehmomente für Anschluss zum Schutzrohr

Gewinde	Anzugsdrehmomente
½ NPT	T.F.F.T 2 - 3 ¹⁾
¾ NPT	T.F.F.T 2 - 3 ¹⁾
G ½ B	35 Nm
G ¾ B	40 Nm
M14 x 1,5	25 ... 30 Nm
M18 x 1,5	35 Nm
M20 x 1,5	35 ... 40 Nm
M27 x 2	40 ... 45 Nm

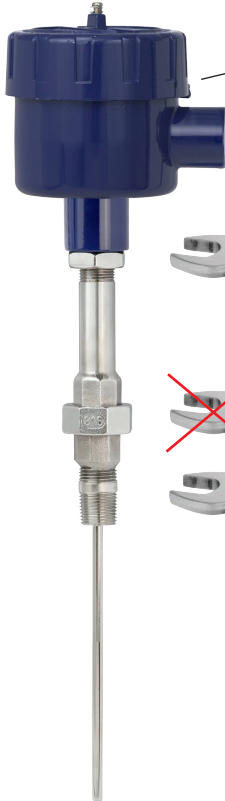
5.4.4 Anzugsdrehmomente für Klemmverschraubungen

Dichtung	Umdrehungen	Max. Druck in bar
Klemmring CrNi-Stahl	1 ¼ ... 1 ½	100
Schneidring CrNi-Stahl	1 ¼ ... 1 ½	100
Klemmring PTFE	1 ¼ ... 1 ½	8

1) Umdrehungen nach handfestem Anziehen („turns from finger tight (T.F.F.T)“)

2) Nur bei Ausführungen mit nicht teilbarem Halsrohr

5.4.5 Anzugsdrehmomente für das Thermometer



Anschlusskopf, wählbar (Beispiel)

Anzugsdrehmomente zwischen Anschlusskopf und Halsrohr

Gewinde	Anzugsdrehmomente	
	Werkstoff Anschlusskopf	
	Aluminium	CrNi-Stahl
1/2 NPT	T.F.F.T 2 - 3 ¹⁾	T.F.F.T 2 - 3 ¹⁾
3/4 NPT	T.F.F.T 2 - 3 ¹⁾	T.F.F.T 2 - 3 ¹⁾
M20 x 1,5 mit Druckschraube ²⁾	23 Nm	25 Nm
M24 x 1,5 mit Druckschraube ²⁾	27 Nm	30 Nm

Anzugsdrehmomente für Anschluss zum Schutzrohr

Gewinde	Anzugsdrehmomente
1/2 NPT	T.F.F.T 2 - 3 ¹⁾
3/4 NPT	T.F.F.T 2 - 3 ¹⁾
G 1/2 B	35 Nm
G 3/4 B	40 Nm
M14 x 1,5	25 ... 30 Nm
M18 x 1,5	35 Nm
M20 x 1,5	35 ... 40 Nm
M27 x 2	40 ... 45 Nm

1) Umdrehungen nach handfestem Anziehen („turns from finger tight (T.F.F.T)“)

2) Nur bei Ausführungen mit nicht teilbarem Halsrohr

- Das Gerät nur über die Schlüssel­flächen mit einem geeigneten Werkzeug und dem vorgeschriebenen Drehmoment ein- bzw. ausschrauben.
- Das richtige Drehmoment ist abhängig von der Dimension des Anschlussgewindes sowie der verwendeten Dichtung (Form/Werkstoff).
- Zum Ein- bzw. Ausschrauben nicht den Anschlusskopf als Angriffsfläche verwenden.
- Beim Einschrauben beachten, dass die Gewindegänge nicht verkantet werden.

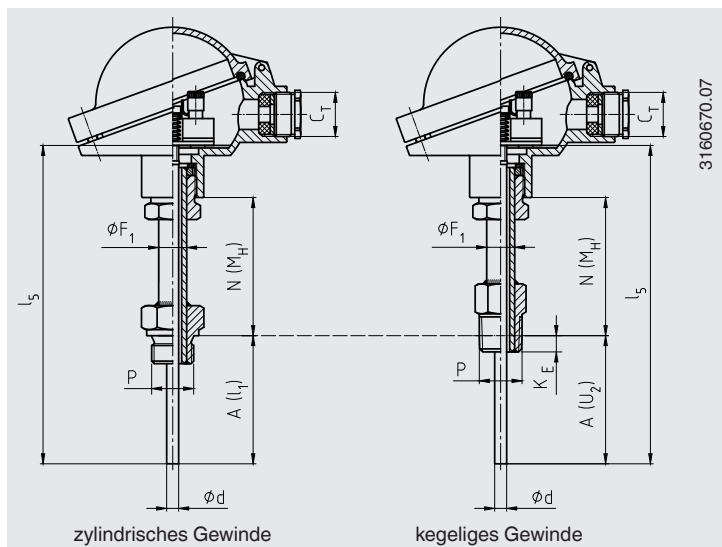
5. Inbetriebnahme, Betrieb

5.5 Temperaturverschleppung aus dem Prozess

Ein Wärmerückfluss aus dem Prozess, welcher die Betriebstemperatur des Transmitters (Digitalanzeige) oder Gehäuses überschreitet, ist nicht zulässig und durch geeignete Wärmeisolierung oder ein entsprechend langes Halsrohr zu verhindern.

Erhöhung des Abstandes der Anschlusskomponenten zu heißen Oberflächen

Die Halslänge (N) ist als Abstand zwischen Unterkante Anschlusskopf oder Gehäuse zur wärmestrahlenden Oberfläche definiert. Die zu erwartende Temperatur an der Unterkante des Anschlusskopfes bzw. Gehäuses beträgt dabei maximal 80 °C. Die Bedingungen für eingebaute Transmitter oder Anzeigen sind zu berücksichtigen, gegebenenfalls ist die Halslänge entsprechend zu erhöhen.



Als Hilfestellung zur Auswahl der minimalen Halslänge wurden die folgenden Richtwerte ermittelt.

Maximale Mediumtemperatur	Empfehlung für Maß N	Empfehlung für Maß X
100 °C	-	-
135 °C	20 mm	20 mm
200 °C	50 mm	50 mm
> 200 °C ≤ 450 °C	100 mm	100 mm

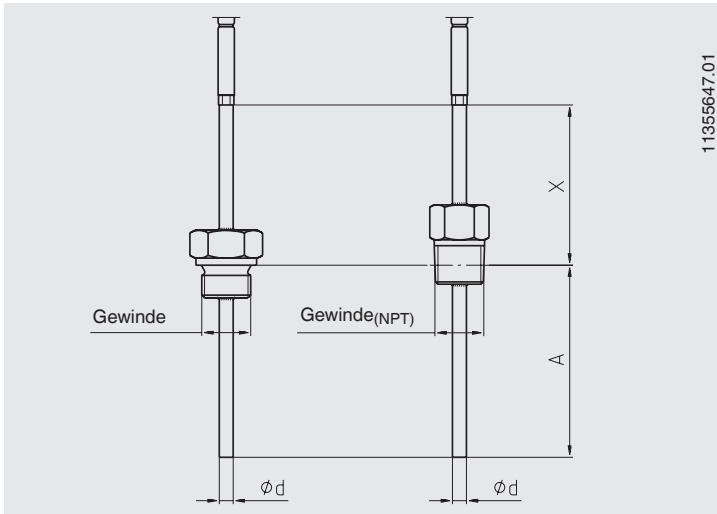
Bei Thermometern mit Anschlussleitung wird die Temperatur an der Übergangsstelle zum Anschlusskabel eingeschränkt. Diese beträgt max. 150 °C. Durch Auswahl des Maßes X kann sichergestellt werden dass die zulässige Temperatur nicht überschritten wird.

5. Inbetriebnahme, Betrieb

Erhöhung des Abstandes der Anschlusskomponenten zu heißen Oberflächen

Die Länge X ist als Abstand zwischen der Übergangsstelle auf dem Kabel zur wärmestrahlenden Oberfläche definiert. Die zu erwartende Temperatur an der Übergangsstelle beträgt dabei maximal 120 °C.

- Gegebenenfalls die X-Länge entsprechend erhöhen.



DE

6. Zusätzliche Hinweise für Geräte mit EHEDG und 3-A

6.1 Einhaltung der Konformität nach 3-A

Für eine 3-A-konforme Anbindung bei Milchrührverschraubungen nach DIN 11851 geeignete Profildichtungen verwenden (z. B. SKS Komponenten BV oder Kieselmann GmbH).

DE

Hinweis:

Zur Einhaltung der 3-A-Zertifizierung muss einer der 3-A zugelassenen Prozessanschlüsse verwendet werden. Diese sind mit Logo im Datenblatt gekennzeichnet.

6.2 Einhaltung der EHEDG-Konformität

Für eine EHEDG-konforme Anbindung Dichtungen gemäß aktuellem EHEDG-Positionspapier verwenden.

Hersteller von Dichtungen

- Dichtung für Verbindungen nach ISO 2852, DIN 32676 und BS 4825 Part 3:
z. B. Combifit International B.V.
- Dichtung für Verbindungen nach DIN 11851: z. B. Kieselmann GmbH
- VARIVENT®-Dichtungen: z. B. GEA Tuchenhausen GmbH

6.3 Montagehinweise

Nachfolgende Hinweise, insbesondere für EHEDG-zertifizierte und 3-A-konforme Geräte, beachten.

- Zur Einhaltung der EHEDG-Zertifizierung muss ein von der EHEDG empfohlener Prozessanschluss verwendet werden. Diese sind mit Logo im Datenblatt gekennzeichnet.
- Zur Einhaltung der Konformität nach 3-A-Standards muss ein 3-A-konformer Prozessanschluss verwendet werden. Diese sind mit Logo im Datenblatt gekennzeichnet.
- Elektrisches Thermometer inklusive Schutzrohr tottraumarm und leicht reinigbar montieren.
- Einbaulage des elektrischen Thermometers inklusive Schutzrohr, Einschweißstutzens und Instrumentierungs-T-Stückes soll selbstentleerend ausgeführt sein.
- Einbaulage darf keine schöpfende Stelle bilden oder eine Spülbeckenbildung verursachen.

6.4 Reinigungsprozess Cleaning-in-Place (CIP)

- Nur Reinigungsmittel verwenden, die für die eingesetzten Dichtungen geeignet sind.
- Reinigungsmittel dürfen weder abrasiv sein noch die Werkstoffe der messstoffberührten Teile korrosiv angreifen.
- Temperaturschocks oder schnelle Temperaturänderungen vermeiden. Die Temperaturdifferenz zwischen Reinigungsmittel und Klarspülung mit Wasser sollte möglichst gering sein. Negativbeispiel: Reinigung mit 80 °C und Klarspülung mit +4 °C kaltem Wasser.

7. Störungen



VORSICHT!

Körperverletzungen, Sach- und Umweltschäden

Können Störungen mit Hilfe der aufgeführten Maßnahmen nicht beseitigt werden, Gerät unverzüglich außer Betrieb setzen.

- ▶ Sicherstellen, dass kein Signal mehr anliegt und gegen versehentliche Inbetriebnahme schützen.
- ▶ Kontakt mit dem Hersteller aufnehmen.
- ▶ Bei notwendiger Rücksendung die Hinweise unter Kapitel 9.2 „Rücksendung“ beachten.



WARNUNG!

Körperverletzungen, Sach- und Umweltschäden durch gefährliche Messstoffe

Bei Kontakt mit gefährlichen Messstoffen (z. B. Sauerstoff, Acetylen, brennbaren oder giftigen Stoffen), gesundheitsgefährdenden Messstoffen (z. B. ätzend, giftig, krebserregend, radioaktiv) sowie bei Kälteanlagen, Kompressoren besteht die Gefahr von Körperverletzungen, Sach- und Umweltschäden. Am Gerät können im Fehlerfall aggressive Medien mit extremer Temperatur und unter hohem Druck oder Vakuum anliegen.

- ▶ Bei diesen Messstoffen müssen über die gesamten allgemeinen Regeln hinaus die einschlägigen Vorschriften beachtet werden.
- ▶ Notwendige Schutzausrüstung tragen (abhängig von der jeweiligen Applikation; Das Thermometer selbst ist prinzipiell ungefährlich.).



Kontakt Daten siehe Kapitel 1 „Allgemeines“ oder Rückseite der Betriebsanleitung.

Störungen	Ursachen	Maßnahmen
Kein Signal/ Leitungsbruch	Zu hohe mechanische Belastung oder Übertemperatur	Fühler oder Messeinsatz durch eine geeignete Ausführung ersetzen
Fehlerhafte Messwerte	Sensordrift durch Übertemperatur	Fühler oder Messeinsatz durch eine geeignete Ausführung ersetzen
	Sensordrift durch chemischen Angriff	Geeignetes Schutzrohr verwenden
Fehlerhafte Messwerte (zu gering)	Feuchtigkeitseintritt an Kabel oder Messeinsatz	Fühler oder Messeinsatz durch eine geeignete Ausführung ersetzen
Fehlerhafte Messwerte und zu lange Ansprechzeiten	Falsche Einbaugeometrie, z. B. zu geringe Einbautiefe oder zu hohe Wärmeableitung	Der temperaturempfindliche Bereich des Sensors muss innerhalb des Mediums liegen, Oberflächenmessungen müssen isoliert sein
	Ablagerungen auf dem Sensor oder Schutzrohr	Ablagerungen entfernen

7. Störungen / 8. Wartung, Reinigung und Kalibrierung

Störungen	Ursachen	Maßnahmen
Fehlerhafte Messwerte (bei Thermoelementen)	Parasitäre Spannungen (Thermospannungen, galvanische Spannung) oder falsche Ausgleichsleitung	Geeignete Ausgleichsleitung verwenden
Anzeige des Messwertes springt	Leitungsbruch im Anschlusskabel oder Wackelkontakt durch mechanische Überbelastung	Fühler oder Messeinsatz durch eine geeignete Ausführung ersetzen z. B. mit Knickschutzfeder oder dickerem Leitungsquerschnitt
Korrosion	Zusammensetzung des Mediums nicht wie angenommen oder geändert oder falsches Schutzrohrmaterial gewählt	Medium analysieren und danach besser geeignetes Material wählen oder Schutzrohr regelmäßig erneuern
Signal gestört	Einstreuung durch elektrische Felder oder Erdschleifen	Geschirmte Anschlussleitungen verwenden, Abstand zu Motoren und leistungsführenden Leitungen erhöhen
	Erdschleifen	Potentiale beseitigen, galvanisch getrennte Trennbarrieren oder Transmitter verwenden

DE

8. Wartung, Reinigung und Kalibrierung



Kontaktdaten siehe Kapitel 1 „Allgemeines“ oder Rückseite der Betriebsanleitung.

8.1 Wartung

Die hier beschriebenen Thermometer sind wartungsfrei.

Reparaturen sind ausschließlich vom Hersteller durchzuführen.

8.2 Reinigung



VORSICHT!

Körperverletzungen, Sach- und Umweltschäden

Eine unsachgemäße Reinigung führt zu Körperverletzungen, Sach- und Umweltschäden. Messstoffreste im ausgebauten Gerät können zur Gefährdung von Personen, Umwelt und Einrichtung führen.

- ▶ Reinigungsvorgang wie folgt beschrieben durchführen.

- ▶ Bei Reinigung von außen („Wash Down“) zulässige Temperatur und Schutzart beachten.
- ▶ Vor der Reinigung das Gerät ordnungsgemäß trennen.
- ▶ Notwendige Schutzausrüstung verwenden (abhängig von der jeweiligen Applikation; Das Thermometer selbst ist prinzipiell ungefährlich.).
- ▶ Das Gerät mit einem feuchten Tuch reinigen.
Dies gilt insbesondere für Thermometer mit Gehäusen aus Kunststoff und Kabelfühler mit kunststoffisolierten Anschlussleitung um die Gefahr von elektrostatischen Aufladungen zu vermeiden.
Elektrische Anschlüsse nicht mit Feuchtigkeit in Berührung bringen!



VORSICHT!

Beschädigung des Gerätes

Eine unsachgemäße Reinigung führt zur Beschädigung des Gerätes!

- ▶ Keine aggressiven Reinigungsmittel verwenden.
 - ▶ Keine harten und spitzen Gegenstände zur Reinigung verwenden.
- ▶ Ausgebautes Gerät spülen bzw. säubern, um Personen und Umwelt vor Gefährdung durch anhaftende Messstoffreste zu schützen.

8.3 Kalibrierung, Rekalibrierung

Es wird empfohlen, den Messeinsatz in regelmäßigen Zeitabständen zu rekalibrieren (Widerstandsthermometer: ca. 24 Monate, Thermoelemente: ca. 12 Monate). Dieser Zeitraum verringert sich abhängig vom Einsatzfall. Die Kalibrierung kann durch den Hersteller sowie mit Kalibriergeräten vor Ort durch qualifiziertes Fachpersonal erfolgen.

8.3.1 Geräte mit herausnehmbarem Messeinsatz

(Typen Tx10-B, Tx10-C, Tx10-D, Tx10-F, TR10-J, Tx10-L, Tx10-O, TR11-C, Tx12-B, Tx12-M, TR22-A, TR22-B, TR55, Tx81)

Zur Kalibrierung wird der Messeinsatz aus dem Thermometer entnommen.

Die Mindestlänge (metallischer Teil des Fühlers) zur Durchführung einer Messgenauigkeitsprüfung 3.1 oder DKD/DAkkS beträgt 100 mm.

8.3.2 Geräte mit nicht herausnehmbarem Messeinsatz oder Kabelfühler

(Typen Tx10-H, TR21-A, TR21-B, TR21-C, TR30, TR31, TR33, TR34, TR36, Tx40, TR41, Tx50, Tx53, TR75)

Die Mindestlänge (metallischer Teil des Fühlers bzw. die Länge des Fühlers unterhalb des Prozessanschlusses) zur Durchführung einer Messgenauigkeitsprüfung 3.1 oder DKD/DAkkS beträgt 100 mm.

8.3.3 Messeinsätze

(Typen Tx10-A, Tx10-K, TR11-A, Tx12-A)

Die Mindestlänge zur Durchführung einer Messgenauigkeitsprüfung 3.1 oder DKD/DAkkS beträgt 100 mm.

8. Wartung ... / 9. Demontage, Rücksendung und Entsorgung

8.3.4 Stufen-Thermometer

(Typen TC94, Tx95, TC96-O, TC96-R, TC96-M, TC97)

Die Einzelthermometer werden vor der Endmontage kalibriert.

8.3.5 Geräte mit Keramik-Schutzrohr

(Typen TC80, TC82, TC83, TC84, TC85)

Die Mindestlänge (keramischer Teil des Fühlers) zur Durchführung einer Messgenauigkeitsprüfung 3.1 oder DKD/DakkS für Standardausführungen beträgt 350 mm. Kalibrierung von Geräten mit Keramiklängen von 200 mm bis 350 mm auf Anfrage.

8.3.6 Frontbündige und In-Line-Geräte

(Typen TR20, TR25)

Das Thermometer wird zur Kalibrierung in ein Flüssigkeitsbad eingetaucht.

8.3.7 Nicht kalibrierbar

(Typen TR57-M, TR60, Tx90)

Standardausführungen dieses Gerätes sind nicht kalibrierbar.

9. Demontage, Rücksendung und Entsorgung

9.1 Demontage



WARNUNG!

Körperverletzungen, Sach- und Umweltschäden durch Messstoffreste

Bei Kontakt mit gefährlichen Messstoffen (z. B. Sauerstoff, Acetylen, brennbaren oder giftigen Stoffen), gesundheitsgefährdenden Messstoffen (z. B. ätzend, giftig, krebserregend, radioaktiv) sowie bei Kälteanlagen, Kompressoren besteht die Gefahr von Körperverletzungen, Sach- und Umweltschäden.

- ▶ Vor der Einlagerung das ausgebaute Gerät (nach Betrieb) spülen bzw. säubern, um Personen und Umwelt vor Gefährdung durch anhaftende Messstoffreste zu schützen.
- ▶ Notwendige Schutzausrüstung verwenden (abhängig von der jeweiligen Applikation; Das Thermometer selbst ist prinzipiell ungefährlich.).
- ▶ Angaben im Sicherheitsdatenblatt für den entsprechenden Messstoff beachten.

Thermometer nur im drucklosen Zustand demontieren.



WARNUNG!

Verbrennungsgefahr

Beim Ausbau besteht Gefahr durch austretende, gefährlich heiße Messstoffe.

- ▶ Vor dem Ausbau das Gerät ausreichend abkühlen lassen!

9.2 Rücksendung

Beim Versand des Gerätes unbedingt beachten:

Alle an WIKA gelieferten Geräte müssen frei von Gefahrstoffen (Säuren, Laugen, Lösungsmittel, etc.) sein und sind daher vor der Rücksendung zu reinigen.



WARNUNG!

Körperverletzungen, Sach- und Umweltschäden durch Messstoffreste
Messstoffreste im ausgebauten Gerät können zur Gefährdung von Personen, Umwelt und Einrichtung führen.

- ▶ Bei Gefahrstoffen das Sicherheitsdatenblatt für den entsprechenden Messstoff beilegen.
- ▶ Gerät reinigen, siehe Kapitel 8.2 „Reinigung“.

Zur Rücksendung des Gerätes die Originalverpackung oder eine geeignete Transportverpackung verwenden.

Um Schäden zu vermeiden:

1. Das Gerät mit dem Dämmmaterial in der Verpackung platzieren.
Zu allen Seiten der Transportverpackung gleichmäßig dämmen.
2. Wenn möglich einen Beutel mit Trocknungsmittel der Verpackung beifügen.
3. Sendung als Transport eines hochempfindlichen Messgerätes kennzeichnen.



Hinweise zur Rücksendung befinden sich in der Rubrik „Service“ auf unserer lokalen Internetseite.

9.3 Entsorgung

Durch falsche Entsorgung können Gefahren für die Umwelt entstehen.

Gerätekomponenten und Verpackungsmaterialien entsprechend den landesspezifischen Abfallbehandlungs- und Entsorgungsvorschriften umweltgerecht entsorgen.



Nicht mit dem Hausmüll entsorgen. Für eine geordnete Entsorgung gemäß nationaler Vorgaben sorgen.

10. Technische Daten

Aufgrund der hohen Varianz sind die technischen Daten sehr umfangreich. Daher verweisen wir auf die entsprechenden WIKA-Datenblätter sowie die Bestellunterlagen.

DE

■ Widerstandsthermometer

Typ	Datenblatt
TR10-0	TE 61.01
TR10-A	TE 60.01
TR10-B	TE 60.02
TR10-C	TE 60.03
TR10-D	TE 60.04
TR10-F	TE 60.06
TR10-H	TE 60.08
TR10-J	TE 60.10
TR10-K	TE 60.11
TR11-A	TE 60.13
TR11-C	TE 60.14
TR11-H	-
TR20	TE 60.20
TR22-A	TE 60.22
TR22-B	TE 60.23
TR25	TE 60.25
TR40	TE 60.40
TR41	TE 60.41
TR50	TE 60.50
TR51	TE 60.51
TR53	TE 60.53
TR55	TE 60.55
TR60	TE 60.60
TR81	TE 60.81
TR95	TE 70.01

■ Thermoelemente

Typ	Datenblatt
TC10-0	TE 66.01
TC10-A	TE 65.01
TC10-B	TE 65.02
TC10-C	TE 65.03
TC10-D	TE 65.04
TC10-F	TE 65.06
TC10-H	TE 65.08
TC10-K	TE 65.11
TC40	TE 65.40
TC50	TE 65.50
TC53	TE 65.53
TC55	TE 65.55
TC80	TE 65.80
TC81	TE 65.81
TC82	TE 65.82
TC83	TE 65.83
TC95	TE 70.01

11. Zubehör



Dichtungen können unter Angabe der Gewinde mit WIKA-Bestellnummer und/oder Bezeichnung (siehe Tabelle) bei WIKA bezogen werden.

DE

WIKA Bestellnummer	Bezeichnung	Geeignet für Gewinde
11349981	nach DIN 7603 Form C 14 x 18 x 2 -CuFA	G ¼, M14 x 1,5
11349990	nach DIN 7603 Form C 18 x 22 x 2 -CuFA	M18 x 1,5, G ¾
11350008	nach DIN 7603 Form C 21 x 26 x 2 -CuFA	G ½, M20 x 1,5
11350016	nach DIN 7603 Form C 27 x 32 x 2,5 -CuFA	G ¾, M27 x 2
11367416	nach DIN 7603 Form C 20 x 24 x 2 -CuFA	M20 x 1,5
1248278	nach DIN 7603 D21,2 x D25,9 x 1,5 -Al	G ½, M20 x 1,5
3153134	nach DIN 7603 Form C D14,2 x D17,9 x 2 -StFA	G ¼, M14 x 1,5
3361485	nach DIN 7603 Form C D33,3 x D38,9 x 2,5 -StFA	G 1

Legende:

CuFA = Kupfer, max. 45HB^a; mit einer Füllung aus asbestfreiem Dichtungsmaterial

Al = Aluminium Al99; F11, 32 bis 45 HB^b

StFA = Weicheisen, 80 bis 95 HB^a; mit einer Füllung aus asbestfreiem Dichtungsmaterial



DE

14150915.07 11/2020 EN/DE/FR/ES

Sommaire

1. Généralités	60
2. Conception et fonction	60
3. Sécurité	61
4. Transport, emballage et stockage	65
5. Mise en service, utilisation	66
6. Notes supplémentaires pour instruments avec EHEDG et 3-A	78
7. Dysfonctionnements	79
8. Entretien, nettoyage et étalonnage	80
9. Démontage, retour et mise au rebut	82
10. Spécifications	84
11. Accessoires	85

Types concernés :

- ▶ Ce mode d'emploi est valable pour un grand nombre de produits. Pour une liste détaillée de ces types, reportez-vous au chapitre 10 "Spécifications" (page 84).

1. Généralités

FR

- Les thermomètres décrits dans le mode d'emploi ont été conçus et fabriqués selon les dernières technologies en vigueur.
- Ce mode d'emploi donne des indications importantes concernant l'utilisation de l'instrument. Il est possible de travailler en toute sécurité avec ce produit en respectant toutes les consignes de sécurité et d'utilisation.
- Respecter les prescriptions locales de prévention contre les accidents et les prescriptions générales de sécurité en vigueur pour le domaine d'application de l'instrument.
- Le personnel qualifié doit, avant de commencer toute opération, avoir lu soigneusement et compris le mode d'emploi.
- Sous réserve de modifications techniques.
- Pour obtenir d'autres informations :
 - Consulter notre site Internet : www.wika.fr
 - Fiche technique correspondante : voir chapitre 10 "Spécifications"
 - Conseiller applications : Tel.: 0 820 95 10 10 (0,15 €/min)
Fax: 0 891 035 891 (0,35 €/min)
info@wika.fr

2. Conception et fonction

2.1 Description

Les sondes à résistance et les thermocouples sont utilisés à des fins de mesure de la température dans le cadre d'applications industrielles.

Ce document décrit des instruments dans leur version standard. Pour des applications en zone explosive, des versions spéciales d'instrument sont requises.

Pour plus de renseignements concernant le fonctionnement en zone dangereuse, voir les informations complémentaires pour le type de protection contre l'ignition correspondant (document séparé).

L'instrument est conçu et construit exclusivement pour une utilisation conforme à l'usage prévu décrit ici et ne doit être utilisé qu'en conséquence.

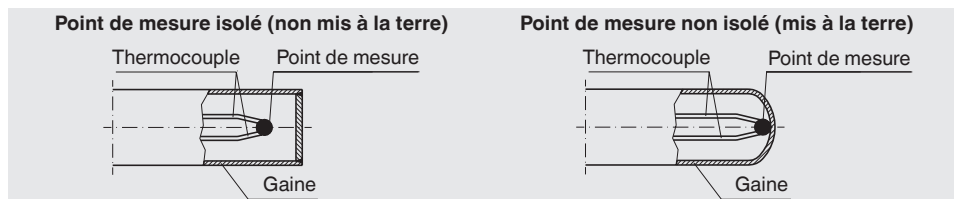
Point de mesure isolé

Les thermomètres type TRxx ou type TCxx consistent en un tube soudé, un câble gainé à isolation minérale ou des câbles de thermocouple isolés par céramique dans lesquels se situe le capteur de température. Ceci est incorporé dans une poudre de céramique, une masse de scellement résistante à la chaleur, une masse de ciment ou une pâte thermoconductrice.

Thermocouples, non isolés (mis à la terre)

Pour les applications spéciales, par exemple les mesures de température de surface, les capteurs sont en contact direct avec la gaine de protection, ou les points de mesure des thermocouples sont soudés au fond.

FR



Raccordement électrique

En termes de raccordement, la sonde dispose d'un boîtier et d'une prise ou d'extrémités de fils dénudées. Le boîtier contient les bornes de connexion ou les transmetteurs certifiés. En option, des affichages numériques certifiés séparément peuvent être placés dans les boîtiers.

2.2 Détail de la livraison

Comparer le détail de la livraison avec le bordereau de livraison.

3. Sécurité

3.1 Explication des symboles



AVERTISSEMENT !

... indique une situation présentant des risques susceptibles de provoquer la mort ou des blessures graves si elle n'est pas évitée.



ATTENTION !

... indique une situation potentiellement dangereuse et susceptible de provoquer de légères blessures ou des dommages matériels et pour l'environnement si elle n'est pas évitée.



AVERTISSEMENT !

... indique une situation présentant des risques susceptibles de provoquer des brûlures dues à des surfaces ou liquides chauds si elle n'est pas évitée.



Information

... met en exergue les conseils et recommandations utiles de même que les informations permettant d'assurer un fonctionnement efficace et normal.

FR

3.2 Utilisation conforme à l'usage prévu

Les thermomètres décrits ici conviennent à des fins de mesure de la température dans le cadre d'applications industrielles.

En fonction de la version, ces thermomètres peuvent être installés directement dans le process ou à l'intérieur d'un doigt de gant. Les exécutions des doigts de gant peuvent être choisies à volonté, mais il faut prendre en considération les données du processus opérationnel (température, pression, densité et débit).

D'éventuelles réparations ou des modifications structurelles ne sont pas autorisées et entraînent l'extinction de la garantie et de l'agrément respective. Le fabricant n'est pas tenu pour responsable en cas de modifications de construction après la livraison des appareils.

L'instrument est conçu et construit exclusivement pour une utilisation conforme à l'usage prévu décrit ici et ne doit être utilisé qu'en conséquence.

Les spécifications techniques mentionnées dans ce mode d'emploi doivent être respectées.

Aucune réclamation ne peut être recevable en cas d'utilisation non conforme à l'usage prévu.

3.3 Responsabilité de l'opérateur

L'opérateur du système est responsable du choix du thermomètre ou du doigt de gant, et aussi du choix de leurs matériaux pour garantir leur fonctionnement en toute sécurité sur l'installation ou la machine. En soumettant une offre, WIKA peut seulement donner des recommandations fondées sur notre expérience dans des applications similaires.

Les instructions de sécurité de ce mode d'emploi comme les réglementations liées à la sécurité, à la prévention des accidents et à la protection de l'environnement pour le domaine d'application doivent être respectées.

L'opérateur doit s'assurer que la plaque signalétique reste lisible.

3.4 Qualification du personnel



AVERTISSEMENT !

Danger de blessure en cas de qualification insuffisante

Une utilisation non conforme peut entraîner d'importants dommages corporels et matériels.

- ▶ Les opérations décrites dans ce mode d'emploi ne doivent être effectuées que par un personnel électricien ayant la qualification décrite ci-après.

FR

Personnel qualifié en électricité

L'électricien qualifié est, en raison de sa formation spécialisée, de ses connaissances et de ses expériences de même que de sa connaissance des prescriptions nationales, des normes et directives en vigueur, en mesure d'effectuer les travaux sur les montages électriques, de reconnaître automatiquement les dangers potentiels et de les éviter.

L'électricien qualifié est formé spécialement pour le domaine d'action dans lequel il est formé et connaît les normes et dispositions importantes. L'électricien qualifié doit satisfaire aux dispositions des prescriptions juridiques en vigueur relatives à la protection contre les accidents.

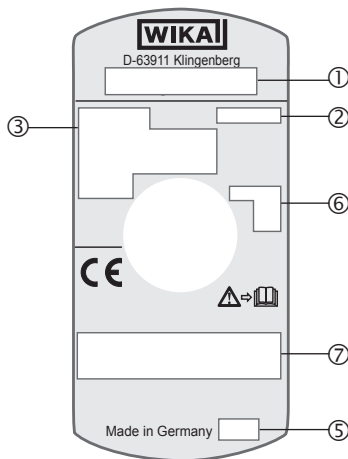
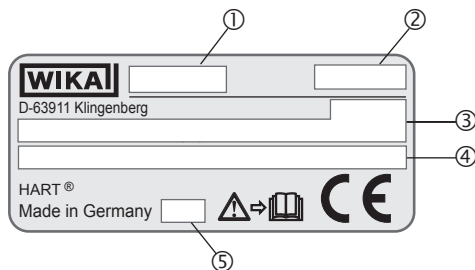
Personnel opérationnel

Le personnel formé par l'opérateur est, en raison de sa formation et de son expérience en mesure d'effectuer les travaux décrits et de reconnaître de façon autonome les dangers potentiels.

Les conditions d'utilisation spéciales exigent également une connaissance adéquate par exemple des liquides agressifs.

3.5 Etiquetage, marquages de sécurité

Plaques signalétiques (exemples)



- ① Type
- ② Numéro de série
- ③ Informations concernant la version (élément de mesure, étendue de mesure ...)

Capteur conforme à la norme

- F = Résistance de mesure à couche mince
- FT = Résistance de mesure à couche mince, extrémité sensible
- W = Résistance de mesure bobinée


Capteur conforme à la norme

- Point de mesure isolé
- Point de mesure non isolé

- ④ Type de transmetteur (uniquement pour version avec transmetteur)
- ⑤ Année de fabrication
- ⑥ Symbole de capteur

■ Point de mesure isolé  = Soudure isolée

■ Point de mesure non isolé  = Soudé à la tige (non isolé)

■ Quasi non isolé  = Le thermomètre doit, en raison des ses faibles distances d'isolement entre le capteur et la gaine, être considéré comme non isolé.

- ⑦ Données d'agrément liées (version Non-Ex = aucun spécification)



Lire impérativement le mode d'emploi avant le montage et la mise en service de l'instrument !

4. Transport, emballage et stockage

4.1 Transport

Vérifier s'il existe des dégâts sur l'instrument liés au transport.

Communiquer immédiatement les dégâts constatés.



ATTENTION !

Dommages liés à un transport inapproprié

Un transport inapproprié peut donner lieu à des dommages importants.

- ▶ Lors du déchargement des colis à la livraison comme lors du transport des colis en interne après réception, il faut procéder avec soin et observer les consignes liées aux symboles figurant sur les emballages.
- ▶ Lors du transport en interne, observer les instructions du chapitre 4.2 "Emballage et stockage".

Si l'instrument est transporté d'un environnement froid dans un environnement chaud, la formation de condensation peut provoquer un dysfonctionnement fonctionnel de l'instrument. Il est nécessaire d'attendre que la température de l'instrument se soit adaptée à la température ambiante avant une nouvelle mise en service.

4.2 Emballage et stockage

N'enlever l'emballage qu'avant le montage.

Conditions admissibles sur le lieu de stockage :

Température de stockage :

Appareils **sans** transmetteur intégré : -40 ... +80 °C

Appareils **avec** transmetteur intégré : voir le mode d'emploi du transmetteur en question

Eviter les influences suivantes :

- Lumière solaire directe ou proximité d'objets chauds
- Vibrations mécaniques, chocs mécaniques (mouvements brusques en le posant)
- Suie, vapeur, poussière et gaz corrosifs
- Environnements dangereux, atmosphères inflammables

Conserver l'instrument dans l'emballage original dans un endroit qui satisfait aux conditions susmentionnées. Si l'emballage d'origine n'est pas disponible, emballer et stocker l'instrument comme suit :

1. Placer l'instrument avec le matériau isolant dans l'emballage.
2. En cas d'entreposage long (plus de 30 jours), mettre également un sachet absorbant d'humidité dans l'emballage.

5. Mise en service, utilisation



AVERTISSEMENT !

Dommages sur l'instrument de mesure dus à un fonctionnement en-dehors des limites supérieures ou inférieures de la température de fonctionnement

Une impossibilité d'observer la température de fonctionnement admissible, prenant également en compte la convection et la radiation, peut même causer des dommages au thermomètre lors de l'installation.

- ▶ Il ne faut pas dépasser les limites supérieures et inférieures de la plage de température d'exploitation spécifiée.

5.1 Montage mécanique

5.1.1 Thermomètres multipoints

Ils sont d'habitude équipés d'un boîtier dans lequel sont installés des transmetteurs ou des platines de raccordement.

Les transmetteurs/affichages numériques sont fixés mécaniquement (par exemple un système de rail dans un boîtier ou un support dans la tête de raccordement).

5.1.2 Capteur câble

Ils ne sont en général pas équipés d'un boîtier. Ils peuvent, cependant, être connectés dans un boîtier supplémentaire dans lequel un transmetteur ou des platines de raccordement sont installés.

5.1.3 Filetage parallèle

Si la tête de raccordement du thermomètre, l'extension, le doigt de gant ou le raccord process sont raccordés à l'aide de filetages parallèles (par ex. G ½, M20 x 1,5 ...), ces filetages doivent être protégés à l'aide de joints qui empêchent la pénétration de liquides dans le thermomètre.

Comme standard, WIKA utilise des joints d'étanchéité en cuivre pour la connexion entre l'extension et le doigt de gant, et un joint d'étanchéité plat en papier pour la connexion de la tête de raccordement et de l'extension ou le doigt de gant.

Si le thermomètre et le doigt de gant sont déjà connectés, les joints d'étanchéité seront déjà montés (s'ils ont été commandés). L'opérateur des installations doit vérifier si les joints conviennent pour les conditions de fonctionnement et les remplacer si nécessaire avec des joints d'étanchéité adéquats (voir chapitre 11 "Accessoires").

Il faut remplacer les joints d'étanchéité après le démontage !

5.1.4 Filetages coniques

Avec des filetages NPT ou d'autres filetages coniques, il faut vérifier s'il est nécessaire de les isoler en plus avec de la bande PTFE ou du chanvre. Avant le montage, les filetages doivent être lubrifiés à l'aide d'un produit approprié.

5.1.5 Instructions d'installation pour thermomètres électriques avec doigt de gant en céramique

Les matériaux des doigts de gant en céramique résistent aux variations de température seulement dans une mesure limitée. Un choc de température peut donc facilement entraîner des fissures et par conséquent des dommages au doigt de gant.

Pour cette raison, préchauffer les thermocouples avec les doigts de gant en céramique ou en saphir avant l'installation et ensuite les immerger lentement dans le process chaud.

Selon la norme DIN 43724, une vitesse d'insertion de 1 cm/min est recommandée pour les doigts de gant d'un diamètre de 24/26 mm. Pour les plus petits diamètres de 10/15 mm, la vitesse peut être augmentée à 50 cm/min. Comme principe de base, les températures de process plus élevées nécessitent une vitesse d'insertion plus faible.

En plus de la protection contre les contraintes thermiques, les doigts de gant en céramique doivent également être protégés contre les charges mécaniques. La raison de ces contraintes nocives sont les forces de flexion dans le cas d'une position d'installation horizontale. En conséquence, un support supplémentaire doit être fourni dans le cas d'une position d'installation horizontale en fonction du diamètre, des longueurs nominales supérieures et de la version.

En principe, le problème de déformation se produit également pour les doigts de gant métalliques, en particulier pour des longueurs utiles > 500 mm. Pour les températures de process > 1.200 °C, il convient de préférer une installation verticale.

En raison des hautes charges thermiques, chimiques et mécaniques auxquelles les doigts de gant en céramique ou en saphir sont soumis pendant le fonctionnement, il n'est pas possible d'indiquer de manière définitive leur durée de vie. Cela est particulièrement valable pour les processus soumis à de hautes charges, comme par ex. des réacteurs de gazéification. Par conséquent, ces pièces côté processus des thermocouples sont considérées comme pièces d'usure et ne sont pas couvertes par la garantie.

Doigts de gant en céramique avec raccord de purge

Les réglages de base suivants sont recommandés pour les doigts de gant céramiques avec raccord de purge :

Pression du gaz de purge : 0,25 ... 0,35 bar [3,6 ... 5,1 psi] au-dessus de la pression de processus maximale

Débit du gaz de purge : env. 10 ... 12 LPH

Gaz de purge : azote

En fonction du processus, il peut être nécessaire d'adapter les valeurs données. La seule responsabilité incombe à l'utilisateur final.

5.2 Montage électrique

Si l'on utilise un transmetteur ou un afficheur (en option) :

il faut observer le contenu de la notice d'utilisation ainsi que celle du transmetteur/affichage numérique (voir le détail de la livraison).

Passe-câbles

Conditions requises pour satisfaire à l'indice de protection :

- Utiliser les presse-étoupes uniquement dans leur plage de serrage indiquée (le diamètre de câble doit être adapté au presse-étoupe).
- En cas d'utilisation de câbles très mous, ne pas utiliser la zone de serrage inférieure.
- Utiliser seulement des câbles ronds (si nécessaire, ayant une section transversale légèrement ovale).
- Ne pas torsader le câble.
- Une ouverture/fermeture répétée est possible ; mais toutefois seulement si c'est nécessaire, car cela pourrait se produire au détriment de l'indice de protection.
- Pour un câble avec un comportement de flux froid prononcé, le presse-étoupe doit être bien serré.

5.3 Raccordement électrique



ATTENTION !

Danger de court-circuit

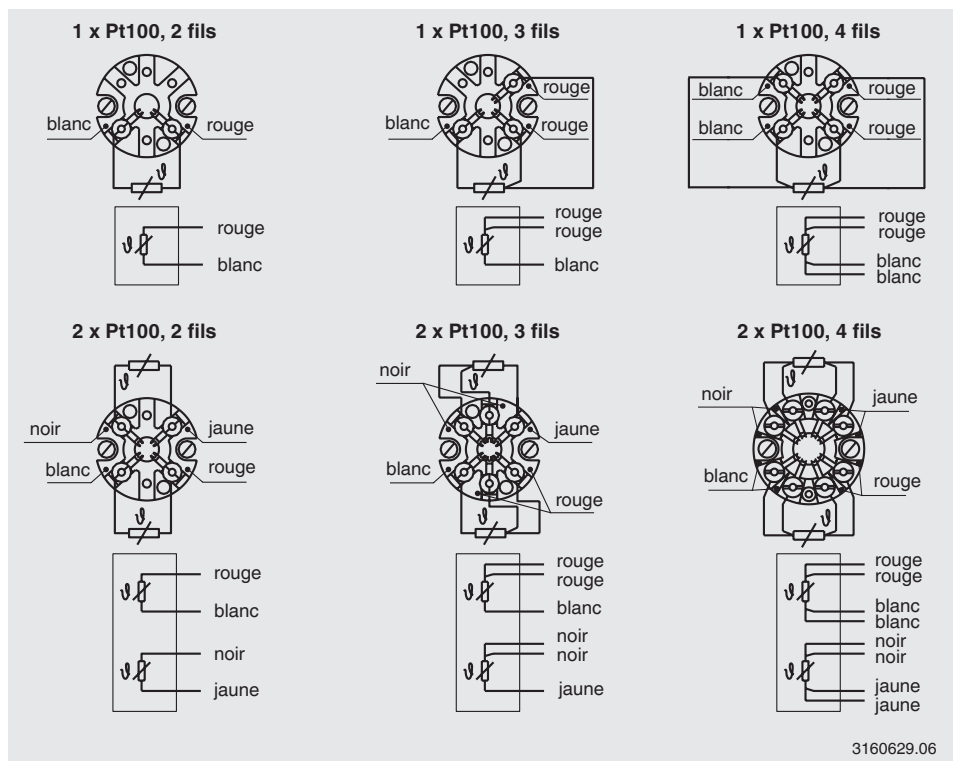
Des dommages aux câbles, fils et points de connexion peuvent conduire à un mauvais fonctionnement de l'instrument.

- ▶ Eviter d'endommager les câbles et les fils. Les liaisons souples dont l'extrémité est dénudée doivent être terminées par des embouts.

5. Mise en service, utilisation

5.3.1 Sondes à résistance

Platine de raccordement standard (code couleur selon IEC/EN 60751)



FR

Configuration et code couleur pour Pt1000 et Pt100
Pt1000 n'est disponible que comme élément simple

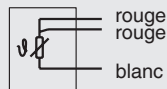
5. Mise en service, utilisation

Sans connecteur

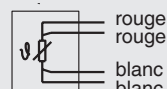
1 x Pt100
2 fils
rouge
blanc



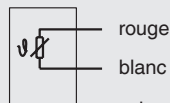
1 x Pt100
3 fils
rouge
rouge
blanc



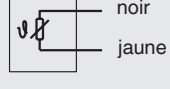
1 x Pt100
4 fils
rouge
rouge
blanc
blanc



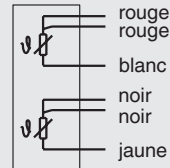
2 x Pt100
2 fils
rouge
blanc



2 x Pt100
2 fils
noir
jaune



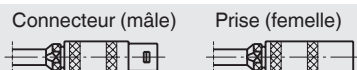
2 x Pt100
3 fils
rouge
rouge
blanc
noir
noir
jaune



3160629.06

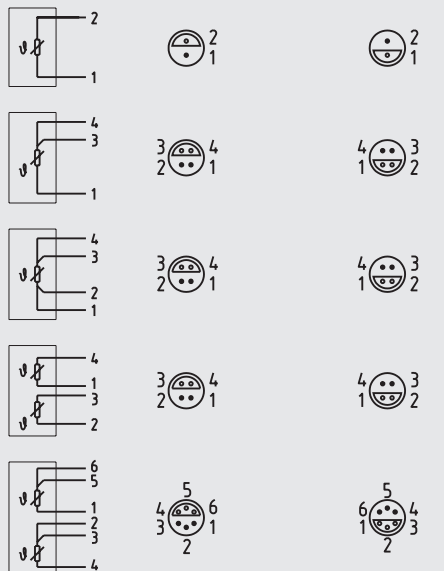
FR

Connecteur Lemosa



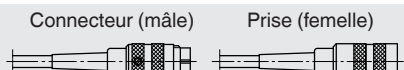
Vue de face

Vue de face



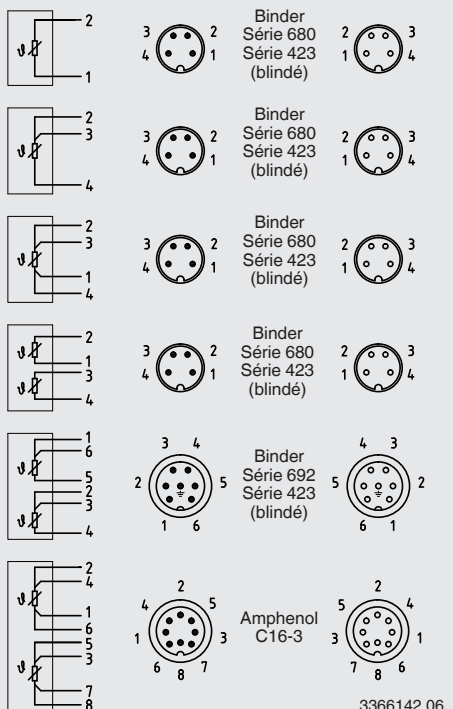
3366036.02

Connecteur à visser (Amphenol, Binder)



Vue des contacts de connecteur

Vue des contacts de prise femelle

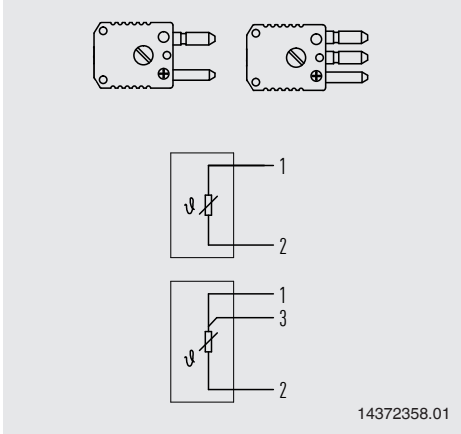


3366142.06

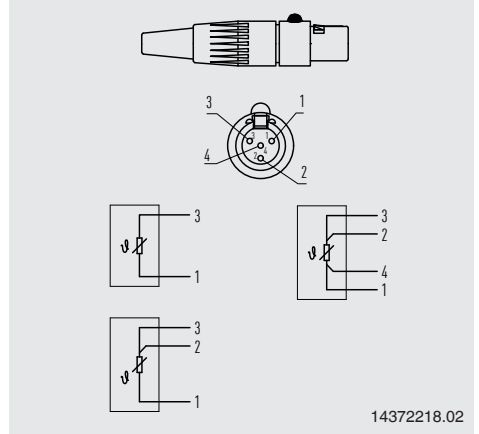
14150915.07 11/2020 EN/DE/FR/ES

5. Mise en service, utilisation

Connecteur thermocouple (RTD, male)

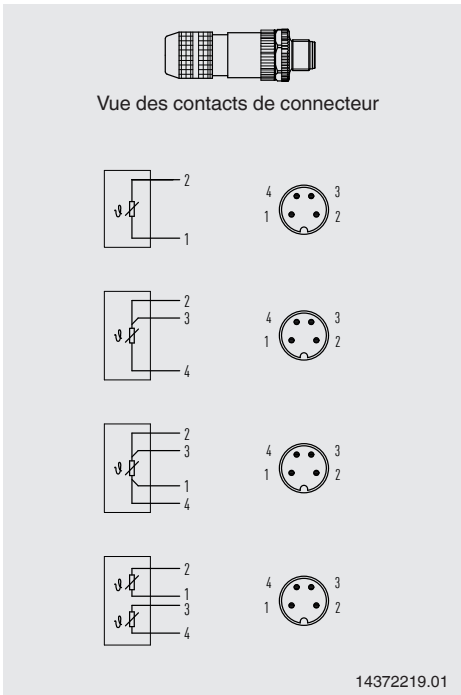


Connecteur mini XLR (female)

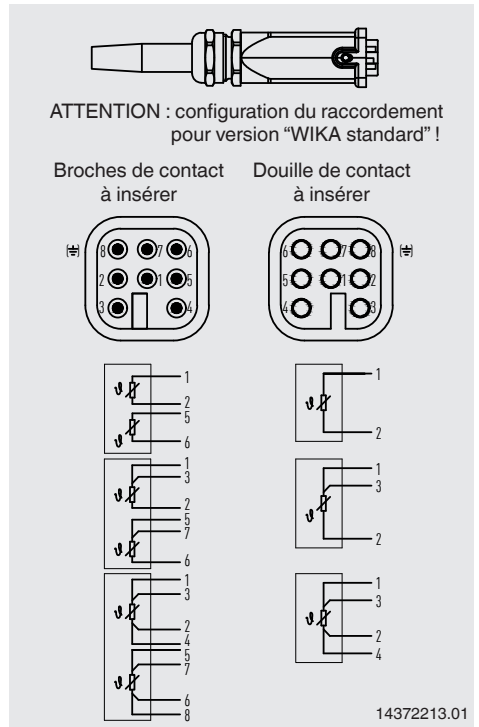


FR

Connecteur à visser Binder (male), M12 x 1 (séries 713)

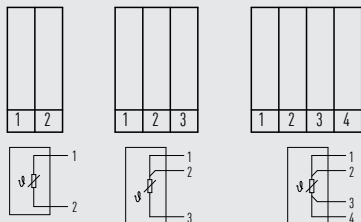


Connecteur Harting

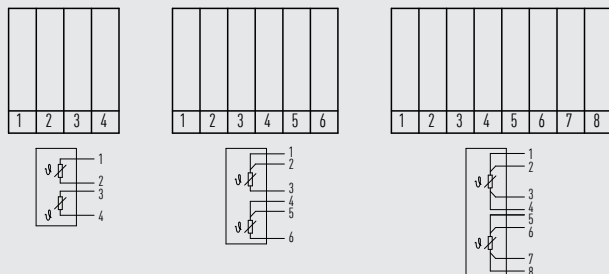


Bornier monté sur rail

1 x Pt100 ou Pt1000
2, 3 ou 4 fils



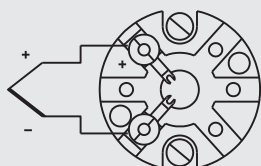
2 x Pt100
2, 3 ou 4 fils



5.3.2 Thermocouples

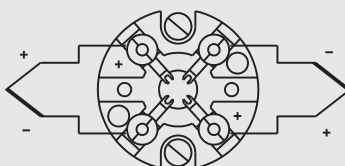
Avec platine de raccordement

Thermocouple unique



Le code couleur à la borne plus de l'appareil déterminent la corrélation entre polarité et borne de raccordement.

Thermocouple double



3166822.03

Code couleur des câbles

Type de capteur	Standard	Positif	Négatif
K	CEI 60584	Green	Blanc
J	CEI 60584	Noir	Blanc
E	CEI 60584	Violet	Blanc
N	CEI 60584	Rose	Blanc

5. Mise en service, utilisation

Avec câble ou connecteur

	Câble	Connecteur Lemosa, mâle sur câble	Connecteur Binder, mâle sur câble (connecteur à visser)
	Pour le marquage des extrémités de câbles, voir tableau 31719686.01	3374886.01	3374900.01a
Thermocouple unique			
Thermocouple double			
Connecteur thermocouple	Les bornes positives et négatives sont marquées. Deux connecteurs thermocouple sont utilisés avec des double thermocouples.		

FR

5.4 Couples de serrage

5.4.1 Couples de serrage entre le presse-étoupe et la tête de raccordement

■ Jonction entre presse-étoupe et tête de raccordement

Filetage	Couples de serrage
M20 x 1,5	12 Nm
½ NPT	T.F.F.T 2 - 3 ¹⁾

■ Jonction entre câble et presse-étoupe

Visser la vis de pression à fond dans l'adaptateur (utiliser des outils appropriés !)

1) Tours après serrage à la main (T.F.F.T)

5. Mise en service, utilisation

5.4.2 Couples de serrage entre la tête de raccordement et l'extension

Filetage	Couples de serrage	
	Matériau de la tête de raccordement	
	Aluminium	Acier inox
½ NPT	T.F.F.T 2 - 3 ¹⁾	T.F.F.T 2 - 3 ¹⁾
¾ NPT	T.F.F.T 2 - 3 ¹⁾	T.F.F.T 2 - 3 ¹⁾
M24 x 1,5 avec vis de pression ²⁾	27 Nm	30 Nm

FR

5.4.3 Couples de serrage pour le raccordement aux doigts de gant

Filetage	Couples de serrage
½ NPT	T.F.F.T 2 - 3 ¹⁾
¾ NPT	T.F.F.T 2 - 3 ¹⁾
G ½ B	35 Nm
G ¾ B	40 Nm
M14 x 1,5	25 ... 30 Nm
M18 x 1,5	35 Nm
M20 x 1,5	35 ... 40 Nm
M27 x 2	40 ... 45 Nm

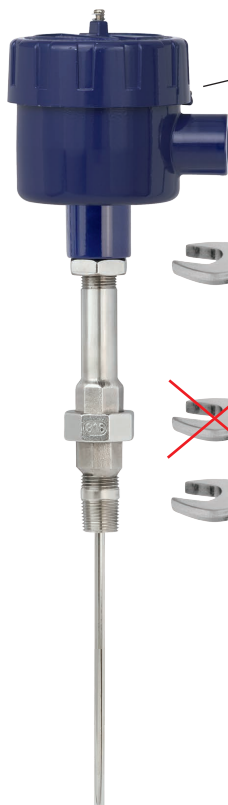
5.4.4 Couples de serrage pour raccords coulissants

Etanchéité	Rotations	Pression maximale en bar
Ferrule en acier inox	1 ¼ ... 1 ½	100
Joint de compression en acier inox	1 ¼ ... 1 ½	100
Ferrule PTFE	1 ¼ ... 1 ½	8

1) Tours après serrage à la main (T.F.F.T)

2) Seulement pour les versions avec extension divisible

5.4.5 Couples de serrage pour le thermomètre



Tête de raccordement, sélectionnable (exemple)

Couples de serrage entre la tête de raccordement et l'extension

Filetage	Couples de serrage	
	Matériau de la tête de raccordement	
	Aluminium	Acier inox
1/2 NPT	T.F.F.T 2 - 3 ¹⁾	T.F.F.T 2 - 3 ¹⁾
3/4 NPT	T.F.F.T 2 - 3 ¹⁾	T.F.F.T 2 - 3 ¹⁾
M20 x 1,5 avec contre-écrou ²⁾	23 Nm	25 Nm
M24 x 1,5 avec contre-écrou ²⁾	27 Nm	30 Nm

FR

Couples de serrage pour le raccordement aux doigts de gant

Filetage	Couples de serrage
1/2 NPT	T.F.F.T 2 - 3 ¹⁾
3/4 NPT	T.F.F.T 2 - 3 ¹⁾
G 1/2 B	35 Nm
G 3/4 B	40 Nm
M14 x 1,5	25 ... 30 Nm
M18 x 1,5	35 Nm
M20 x 1,5	35 ... 40 Nm
M27 x 2	40 ... 45 Nm

1) Tours après serrage à la main (T.F.F.T)

2) Seulement pour les versions avec extension

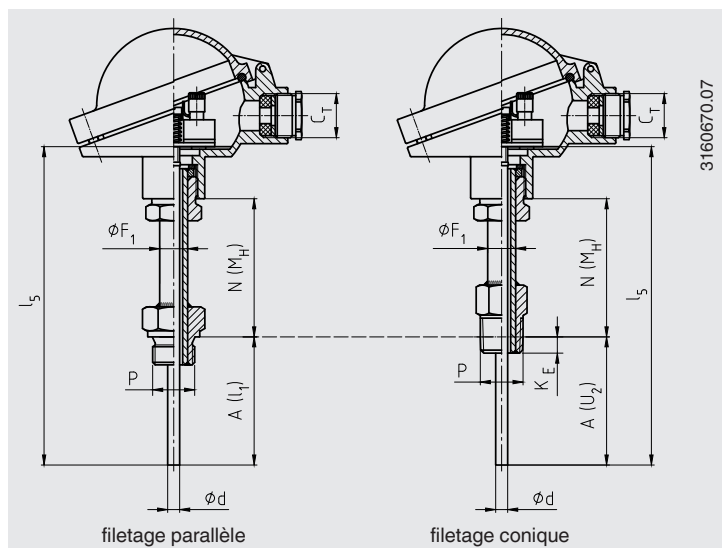
- Ne vissez ou ne dévissez l'instrument qu'avec les pans de la clé et avec le couple prescrit en utilisant un outil approprié.
- Le couple correct dépend des dimensions du filetage de raccord et du joint utilisé (forme/matériau).
- Lorsque vous vissez ou dévissez l'instrument, n'utilisez pas la tête de raccordement en tant que surface de contact.
- Evitez tout coincement du pas de filet lorsque vous vissez l'instrument.

5.5 Transmission de température depuis le process

Un reflux de chaleur en provenance du process qui dépasse la température de fonctionnement du transmetteur (affichage numérique) ou du boîtier doit être empêché en installant une isolation adéquate contre la chaleur ou une extension suffisamment longue.

Accroître la distance entre les composants de connexion et les surfaces brûlantes

La longueur d'extension (N) est définie comme étant la distance entre le bord inférieur de la tête de raccordement ou du boîtier et la surface émettant de la chaleur. La température attendue au bord extérieur de la tête de raccordement ou du boîtier ne doit pas dépasser 80 °C. Il faut réfléchir sur les conditions régnant pour les transmetteurs ou les afficheurs intégrés, et, en cas de besoin, augmenter la longueur d'extension.



Pour aider à choisir la longueur d'extension minimale, on a déterminé les valeurs standard suivantes.

Température maximale du fluide	Recommandation pour la dimension N	Recommandation pour la dimension X
100 °C	-	-
135 °C	20 mm	20 mm
200 °C	50 mm	50 mm
> 200 °C ≤ 450 °C	100 mm	100 mm

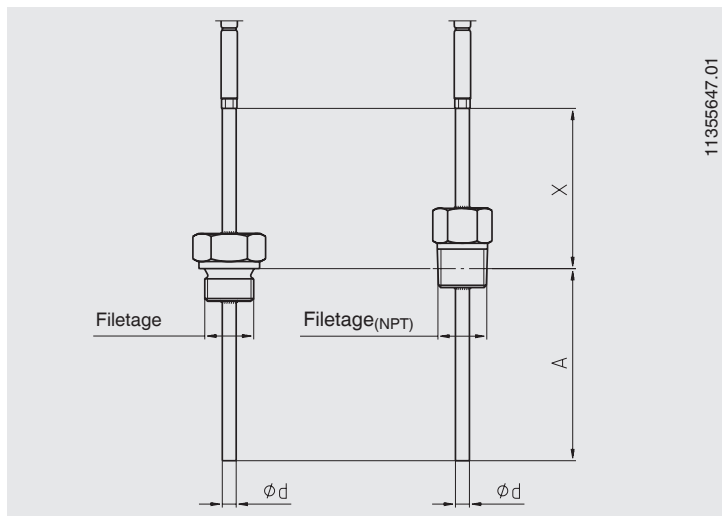
Pour les thermomètres équipés d'un câble de connexion, la température à l'interface avec le câble de connexion est limitée. Le maximum est de 150 °C. Pour assurer que la température admissible ne soit pas dépassée, la dimension X doit être choisie en conséquence.

5. Mise en service, utilisation

Accroître la distance entre les composants de connexion et les surfaces brûlantes

La longueur X est définie comme étant la distance entre le point de transition depuis le câble et la surface émettant de la chaleur. La température attendue au point de transition ne doit pas dépasser 120 °C.

- Si nécessaire, il faudra augmenter la longueur X.



6. Notes supplémentaires pour instruments avec EHEDG et 3-A

6.1 Accord avec la conformité selon 3-A

Pour une connexion selon 3-A pour une connexion conforme à DIN 11851, des joints d'étanchéité adéquats doivent être utilisés (par exemple SKS Komponenten BV ou Kieselmann GmbH).

Remarque :

Pour garder la certification 3-A, il faut utiliser l'un des raccords process homologués 3-A. Ceux-ci sont marqués du logo sur la fiche technique.

6.2 Accord avec la conformité EHEDG

Pour une connexion conforme EHEDG, il faudra utiliser des joints d'étanchéité en accord avec le document de stratégie EHEDG actuel.

Fabricants de joints d'étanchéité

- Joints d'étanchéité pour des connexions selon ISO 2852, DIN 32676 et BS 4825 partie 3 : par exemple Combifit International B.V.
- Joints d'étanchéité pour des connexions selon DIN 11851 : par exemple Kieselmann GmbH
- Joints d'étanchéité VARIVENT® : par exemple GEA Tuchenhagen GmbH

6.3 Instructions de montage

Observer les instructions suivantes, en particulier pour les instruments certifiés EHEDG et conformes 3-A.

- Pour maintenir la certification EHEDG, il faut utiliser l'un des raccords process recommandés EHEDG. Ceux-ci sont marqués du logo sur la fiche technique.
- Pour maintenir la conformité à l'étalon 3-A, il faut utiliser un raccord process conforme 3-A. Ceux-ci sont marqués du logo sur la fiche technique.
- Installer la sonde ou le doigt de gant avec un minimum d'espace mort et de manière à pouvoir le nettoyer facilement.
- La position d'installation de la sonde avec doigt de gant, manchon à souder et pièce en T de l'instrumentation doit être conçue pour permettre une vidange naturelle.
- La position d'installation ne doit pas former un point de vidange ni de rétention d'eau.

6.4 Processus de nettoyage par nettoyage en place (NEP)

- Employer seulement des détergents adaptés aux joints d'étanchéité utilisés.
- Les agents de nettoyage ne doivent pas être abrasifs ni coroder les matériaux des parties en contact avec le fluide.
- Eviter les chocs thermiques ou des changements brutaux de température. La différence de température entre l'agent de nettoyage et le rinçage à l'eau claire doit être aussi faible que possible. Exemple négatif : nettoyage à 80 °C et rinçage à +4 °C à l'eau claire.

7. Dysfonctionnements



ATTENTION !

Blessures physiques, dommages aux équipements et à l'environnement

Si les défauts ne peuvent pas être éliminés au moyen des mesures listées, l'instrument doit être mis hors service immédiatement.

- ▶ Assurez-vous qu'il n'y a plus aucun signal présent et empêchez toute remise en marche accidentelle.
- ▶ Contacter le fabricant.
- ▶ S'il est nécessaire de retourner l'instrument au fabricant, prière de respecter les indications mentionnées au chapitre 9.2 "Retour".

FR



AVERTISSEMENT !

Blessures physiques et dommages aux équipements et à l'environnement causés par un fluide dangereux

Lors du contact avec un fluide dangereux (par ex. oxygène, acétylène, substances inflammables ou toxiques), un fluide nocif (par ex. corrosif, toxique, cancérigène, radioactif), et également avec des installations de réfrigération et des compresseurs, il y a un danger de blessures physiques et de dommages aux équipements et à l'environnement.

En cas d'erreur, des fluides agressifs peuvent être présents à une température extrême et sous une pression élevée ou sous vide au niveau de l'instrument.

- ▶ Pour ces fluides, les codes et directives appropriés existants doivent être observés en plus des régulations standard.
- ▶ Porter l'équipement de protection requis (en fonction de l'application ; le thermomètre lui-même n'est en principe pas dangereux).



Pour le détail des contacts, merci de consulter le chapitre 1 "Généralités" ou le dos du mode d'emploi.

Dysfonctionnements	Raisons	Mesures
Aucun signal/ Rupture de câble	Charge mécanique trop élevée ou température excessive	Remplacer le capteur ou l'insert de mesure par un autre ayant une conception adaptée
Valeurs mesurées erronées	Dérive du capteur causée par une température excessive	Remplacer le capteur ou l'insert de mesure par un autre ayant une conception adaptée
	Dérive du capteur causée par une attaque chimique	Utiliser un doigt de gant adéquat.
Valeurs mesurées erronées (trop basses)	Pénétration d'humidité dans le câble ou l'élément de mesure	Remplacer le capteur ou l'insert de mesure par un autre ayant une conception adaptée

7. Dysfonctionnements / 8. Entretien, nettoyage et étalonnage

Dysfonctionnements	Raisons	Mesures
Valeurs mesurées erronées et temps de réponse trop longs	Géométrie de montage incorrecte, par exemple profondeur de montage trop profonde ou dissipation thermique trop élevée	La zone thermosensible du capteur doit se trouver dans le fluide et les mesures de surface doivent être isolées
	Dépôts sur le capteur ou le doigt de gant	Éliminer les dépôts
Valeurs mesurées erronées (de thermocouples)	Tensions parasites (tensions thermiques, tension galvanique) ou ligne de compensation non-adaptée	Utilisation d'une ligne de compensation adaptée
Affichage des sauts de valeur mesurée	Rupture de câble dans le câble de raccordement ou contact lâche causé par une surcharge mécanique	Remplacer le capteur ou l'insert de mesure par une version adaptée, par exemple équipée d'un soulagement de traction ou d'une section de câble plus épaisse
Corrosion	La composition du fluide n'est pas celle exigée ou est modifiée ou un matériau de doigt de gant incorrect est sélectionné	Analyser le fluide et sélectionner ensuite un matériau mieux adapté ou remplacer régulièrement le doigt de gant
Interférence du signal	Courants vagabonds provoqués par des champs électriques ou des boucles de terre	Utiliser des câbles de raccordement blindés et augmenter la distance par rapport aux moteurs et aux câbles d'alimentation
	Boucles de terre	Éliminer les différences de potentiel en utilisant des barrières isolées galvaniquement ou des transmetteurs

FR

8. Entretien, nettoyage et étalonnage



Pour le détail des contacts, merci de consulter le chapitre 1 "Généralités" ou le dos du mode d'emploi.

8.1 Entretien

Les thermomètres décrits ici sont sans entretien.

Les réparations ne doivent être effectuées que par le fabricant.

8.2 Nettoyage



ATTENTION !

Blessures physiques, dommages aux équipements et à l'environnement

Un nettoyage inapproprié peut conduire à des blessures physiques et à des dommages aux équipements ou à l'environnement. Les restes de fluides se trouvant dans les instruments démontés peuvent mettre en danger les personnes, l'environnement ainsi que l'installation.

- Effectuer la procédure de nettoyage comme décrit ci-dessous.

8. Entretien, nettoyage et étalonnage

- ▶ En cas d'un nettoyage de l'extérieur ("Wash down"), respecter la température et l'indice de protection admissibles.
- ▶ Avant le nettoyage, débrancher correctement l'instrument.
- ▶ Utiliser l'équipement de protection requis (en fonction de l'application ; le thermomètre lui-même n'est en principe pas dangereux).
- ▶ Nettoyer l'instrument avec un chiffon humide.
Ceci s'applique en particulier aux thermomètres avec un boîtier en plastique et des capteurs à câble avec câble de connexion isolées par du plastique pour éviter tout risque de charge électrostatique.
Eviter tout contact des raccordements électriques avec l'humidité !



ATTENTION !

Dommages à l'instrument

Un nettoyage inapproprié peut endommager l'instrument !

- ▶ Ne pas utiliser de détergents agressifs.
- ▶ Ne pas utiliser d'objets pointus ou durs pour le nettoyage.

- ▶ Laver et décontaminer l'instrument démonté afin de protéger les personnes et l'environnement contre le danger lié aux résidus de fluides.

8.3 Etalonnage, réétalonnage

Il est recommandé que l'insert de mesure soit étalonné à intervalles réguliers (sondes à résistance : environ 24 mois, thermocouples : environ 12 mois). Cette période peut être réduite, en fonction de l'application particulière. L'étalonnage peut être effectué par le fabricant, ainsi que sur le site par du personnel technique qualifié avec des instruments d'étalonnage.

8.3.1 Instruments avec insert de mesure interchangeable

(types Tx10-B, Tx10-C, Tx10-D, Tx10-F, TR10-J, Tx10-L, Tx10-0, TR11-C, Tx12-B, Tx12-M, TR22-A, TR22-B, TR55, Tx81)

Pour l'étalonnage, l'insert de mesure est retiré du thermomètre.

La longueur minimum (partie métallique du capteur) pour effectuer un test de précision de mesure 3.1 ou DKD/DAkkS est de 100 mm.

8.3.2 Instruments avec insert de mesure non interchangeable ou capteurs à câble

(types Tx10-H, TR21-A, TR21-B, TR21-C, TR30, TR31, TR33, TR34, TR36, Tx40, TR41, Tx50, Tx53, TR75)

La longueur minimum (partie métallique du capteur ou la longueur du capteur en-dessous du raccord process) pour effectuer un test de précision de mesure 3.1 ou DKD/DAkkS est de 100 mm.

8.3.3 Inserts de mesure

(types Tx10-A, Tx10-K, TR11-A, Tx12-A)

La longueur minimum pour effectuer un test de précision de mesure 3.1 ou DKD/DAkkS est de 100 mm.

8.3.4 Thermomètres multipoints

(types TC94, Tx95, TC96-O, TC96-R, TC96-M, TC97)

Les thermomètres individuels sont étalonnés avant l'installation finale.

8.3.5 Instruments avec doigt de gant en céramique

(types TC80, TC82, TC83, TC84, TC85)

La longueur minimum (partie en céramique du capteur) pour effectuer un test de précision de mesure 3.1 ou DKD/DAkkS est de 350 mm pour les versions standard. Etalonnage d'instruments avec des longueurs en céramique de 200 mm à 350 mm sur demande.

8.3.6 Instruments à membrane affleurante et en ligne

(types TR20, TR25)

Le thermomètre est immergé dans un bain de liquide pour étalonnage.

8.3.7 Non calibrable

(types TR57-M, TR60, Tx90)

Les versions standard de cet instrument ne peuvent pas être étalonnées.

9. Démontage, retour et mise au rebut

9.1 Démontage



AVERTISSEMENT !

Blessures physiques et dommages aux équipements et à l'environnement liés aux résidus de fluides

Lors du contact avec un fluide dangereux (par ex. oxygène, acétylène, substances inflammables ou toxiques), un fluide nocif (par ex. corrosif, toxique, cancérigène, radioactif), et également avec des installations de réfrigération et des compresseurs, il y a un danger de blessures physiques et de dommages aux équipements et à l'environnement.

- ▶ Avant de stocker l'instrument démonté (à la suite de son utilisation), le laver ou le nettoyer afin de protéger le personnel et l'environnement contre le danger lié aux résidus de fluides.
- ▶ Utiliser l'équipement de protection requis (en fonction de l'application ; le thermomètre lui-même n'est en principe pas dangereux).
- ▶ Observer les informations de la fiche technique de sécurité de matériau pour le fluide correspondant.

Déconnecter le thermomètre seulement si le système a été mis hors pression !



AVERTISSEMENT !

Danger de brûlures

Durant le démontage, il y a un danger lié à l'échappement de fluides dangereusement chauds.

- ▶ Avant le démontage du thermomètre, laisser refroidir suffisamment l'instrument !

9.2 Retour

En cas d'envoi de l'instrument, il faut respecter impérativement ceci :

Tous les instruments livrés à WIKA doivent être exempts de substances dangereuses (acides, bases, solutions, etc.) et doivent donc être nettoyés avant d'être retournés.



AVERTISSEMENT !

Blessures physiques et dommages aux équipements et à l'environnement liés aux résidus de fluides

Les restes de fluides se trouvant dans les instruments démontés peuvent mettre en danger les personnes, l'environnement ainsi que l'installation.

- ▶ Avec les substances dangereuses, inclure la fiche technique de sécurité de matériau pour le fluide correspondant.
- ▶ Nettoyer l'instrument, voir chapitre 8.2 "Nettoyage".

Pour retourner l'instrument, utiliser l'emballage original ou un emballage adapté pour le transport.

Pour éviter des dommages :

1. Placer l'instrument avec le matériau isolant dans l'emballage.
Isoler de manière uniforme tous les côtés de l'emballage de transport.
2. Mettre si possible un sachet absorbant d'humidité dans l'emballage.
3. Indiquer lors de l'envoi qu'il s'agit d'un instrument de mesure très sensible à transporter.



Des informations relatives à la procédure de retour sont disponibles sur notre site Internet à la rubrique "Services".

9.3 Mise au rebut

Une mise au rebut inadéquate peut entraîner des dangers pour l'environnement.

Éliminer les composants des instruments et les matériaux d'emballage conformément aux prescriptions nationales pour le traitement et l'élimination des déchets et aux lois de protection de l'environnement en vigueur.



Ne pas éliminer avec les ordures ménagères. Garantir une élimination correcte selon les prescriptions nationales.

10. Spécifications

En raison du grand nombre de variantes, les spécifications sont très étendues. C'est pourquoi nous renvoyons à la fiche technique WIKA correspondante et aussi à la documentation de commande.

■ Sondes à résistance

Type	Fiche technique
TR10-0	TE 61.01
TR10-A	TE 60.01
TR10-B	TE 60.02
TR10-C	TE 60.03
TR10-D	TE 60.04
TR10-F	TE 60.06
TR10-H	TE 60.08
TR10-J	TE 60.10
TR10-K	TE 60.11
TR11-A	TE 60.13
TR11-C	TE 60.14
TR11-H	-
TR20	TE 60.20
TR22-A	TE 60.22
TR22-B	TE 60.23
TR25	TE 60.25
TR40	TE 60.40
TR41	TE 60.41
TR50	TE 60.50
TR51	TE 60.51
TR53	TE 60.53
TR55	TE 60.55
TR60	TE 60.60
TR81	TE 60.81
TR95	TE 70.01

■ Thermocouples

Type	Fiche technique
TC10-0	TE 66.01
TC10-A	TE 65.01
TC10-B	TE 65.02
TC10-C	TE 65.03
TC10-D	TE 65.04
TC10-F	TE 65.06
TC10-H	TE 65.08
TC10-K	TE 65.11
TC40	TE 65.40
TC50	TE 65.50
TC53	TE 65.53
TC55	TE 65.55
TC80	TE 65.80
TC81	TE 65.81
TC82	TE 65.82
TC83	TE 65.83
TC95	TE 70.01

FR

11. Accessoires



Les joints peuvent être commandés auprès de WIKA, en indiquant le code article WIKA et/ou la désignation (voir tableau).

WIKA N° de commande	Désignation	Convient aux filetages
11349981	selon DIN 7603 forme C 14 x 18 x 2 -CuFA	G ¼, M14 x 1,5
11349990	selon DIN 7603 forme C 18 x 22 x 2 -CuFA	M18 x 1,5, G ¾
11350008	selon DIN 7603 forme C 21 x 26 x 2 -CuFA	G ½, M20 x 1,5
11350016	selon DIN 7603 forme C 27 x 32 x 2,5 -CuFA	G ¾, M27 x 2
11367416	selon DIN 7603 forme C 20 x 24 x 2 -CuFA	M20 x 1,5
1248278	selon DIN 7603 D21,2 x D25,9 x 1,5 -Al	G ½, M20 x 1,5
3153134	selon DIN 7603 forme C D14,2 x D17,9 x 2 -StFA	G ¼, M14 x 1,5
3361485	selon DIN 7603 forme C D33,3 x D38,9 x 2,5 -StFA	G 1

FR

Légende :

CuFA = Cuivre, max. 45HB^a ; rempli d'une matière isolante exempte d'amiante

Al = Aluminium Al99 ; F11, de 32 à 45 HB^b

StFA = Fer tendre, de 80 à 95 HB^a ; rempli d'une matière isolante exempte d'amiante



FR

14150915.07 11/2020 EN/DE/FR/ES

Contenido

1. Información general	88
2. Diseño y función	88
3. Seguridad	89
4. Transporte, embalaje y almacenamiento	93
5. Puesta en servicio, funcionamiento	94
6. Indicaciones adicionales para instrumentos con EHEDG y 3-A	106
7. Errores	107
8. Mantenimiento, limpieza y calibración	108
9. Desmontaje, devolución y eliminación de residuos	110
10. Datos técnicos	112
11. Accesorios	113

Tipos afectados:

- ▶ Estas instrucciones de servicio aplican a varios productos. Consulte el capítulo 10 “Datos técnicos” (página 112) para un listado exacto de los tipos correspondientes.

1. Información general

- Las sondas descritas en el manual de instrucciones se fabrican conforme al estado actual de la técnica.
- Este manual de instrucciones proporciona indicaciones importantes acerca del manejo del instrumento. Para un trabajo seguro, es imprescindible cumplir con todas las instrucciones de seguridad y manejo indicadas.
- Cumplir siempre las normativas sobre la prevención de accidentes y las normas de seguridad en vigor en el lugar de utilización del instrumento.
- El personal especializado debe haber leído y entendido el manual de instrucciones antes de comenzar cualquier trabajo.
- Modificaciones técnicas reservadas.
- Para obtener más informaciones consultar:
 - Página web: www.wika.es
 - Hoja técnica correspondiente: véase el capítulo 10 “Datos técnicos”
 - Servicio técnico: Tel.: +34 933 9386-30
Fax: +34 933 9386-66
info@wika.es

2. Diseño y función

2.1 Descripción

Estas termorresistencias y los termopares sirven para medir la temperatura en aplicaciones industriales.

Este documento describe instrumentos estándar. Para aplicaciones en áreas clasificadas se requieren versiones especiales.

Para más informaciones sobre la utilización en atmósferas potencialmente explosivas, véase la información adicional para el tipo de protección correspondiente (documento separado).

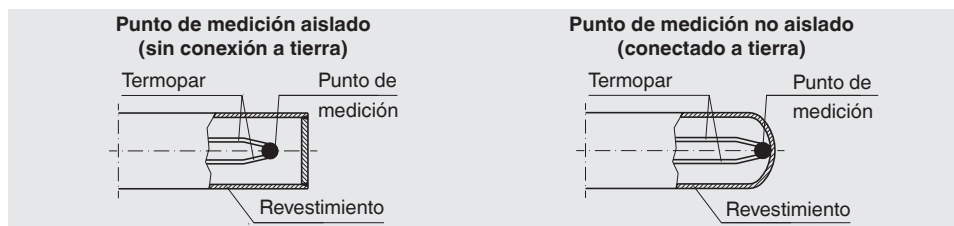
El instrumento ha sido diseñado y construido únicamente para la finalidad aquí descrita y debe utilizarse en conformidad a la misma.

Punto de medición aislado

El termómetro modelo TRxx o modelo TCxx consiste en un tubo soldado, un cable con revestimiento de aislamiento mineral o hilos termopar con aislamiento cerámico en donde se encuentra el sensor de temperatura. Éste está compactado en un polvo de cerámica, una masa de relleno resistente a la temperatura, una masa de cemento o una pasta térmica.

Termopares, sin aislamiento (conectado a tierra)

Para aplicaciones especiales, por ejemplo mediciones de temperaturas superficiales, los sensores están directamente en contacto con el con la tapa de protección o bien los puntos de medición de termopares están soldados con el fondo.



ES

Conexión eléctrica

Para su conexión, el termómetro está dotado de una caja y un conector o cables de conexión libres. En la versión con caja se encuentran bornes de conexión o transmisores certificados. Opcionalmente pueden estar montados en la caja indicadores digitales certificados.

2.2 Volumen de suministro

Comparar mediante el albarán si se han entregado todas las piezas.

3. Seguridad

3.1 Explicación de símbolos



¡ADVERTENCIA!

... indica una situación probablemente peligrosa que puede causar la muerte o lesiones graves si no se la evita.



¡CUIDADO!

... indica una situación probablemente peligrosa que puede causar lesiones leves o medianas, o daños materiales y medioambientales, si no se la evita.

3. Seguridad



¡ADVERTENCIA!

... indica una situación probablemente peligrosa que puede causar quemaduras debido a superficies o líquidos calientes si no se evita.



Información

... destaca consejos y recomendaciones útiles así como informaciones para una utilización eficiente y libre de errores.

3.2 Uso conforme a lo previsto

ES

Los termómetros aquí descritos son aptos para la medición de temperatura en aplicaciones industriales.

En función de la versión, estos termómetros pueden instalarse directamente en el proceso o en una vaina. Los diseños de las vainas pueden escogerse libremente, respetando sin embargo los datos de proceso (temperatura, presión, densidad y velocidad de circulación).

No se permite ningún tipo de reparación ni modificación constructiva, ya que estas modificaciones provocan la cancelación de la garantía y del certificado correspondiente. Las modificaciones constructivas posteriores a la entrega de los instrumentos no son de responsabilidad del fabricante.

El instrumento ha sido diseñado y construido únicamente para la finalidad aquí descrita y debe utilizarse en conformidad a la misma.

Cumplir las especificaciones técnicas de este manual de instrucciones.

No se admite ninguna reclamación debido a una utilización no conforme a lo previsto.

3.3 Responsabilidad del usuario

La responsabilidad de selección del termómetro y la vaina así como la selección del material para asegurar el funcionamiento seguro de la instalación o de la máquina asume la empresa propietaria/operadora. Durante la elaboración de la oferta, WIKA puede dar recomendaciones únicamente basadas en experiencias con aplicaciones similares.

Se debe cumplir las notas de seguridad en este manual de instrucciones, así como la validez de las normas de seguridad de la unidad, de prevención de accidentes y protección del medio ambiente.

El usuario está obligado a mantener la placa de identificación bien legible.

3.4 Cualificación del personal



¡ADVERTENCIA!

Riesgo de lesiones debido a una insuficiente cualificación

Un manejo no adecuado puede causar considerables daños personales y materiales.

- ▶ Las actividades descritas en este manual de instrucciones deben ser realizadas únicamente por electricistas profesionales con la cualificación detallada a continuación.

Electricistas profesionales

Debido a su formación profesional, a sus conocimientos así como a su experiencia y su conocimiento de las normativas, normas y directivas vigentes en el país de utilización los electricistas profesionales son capacitados de ejecutar los trabajos en sistemas eléctricos y reconocer y evitar posibles peligros. Los electricistas profesionales han sido formados específicamente para sus tareas y conocen las normativas y disposiciones relevantes. Los electricistas profesionales deben cumplir las normativas sobre la prevención de accidentes en vigor.

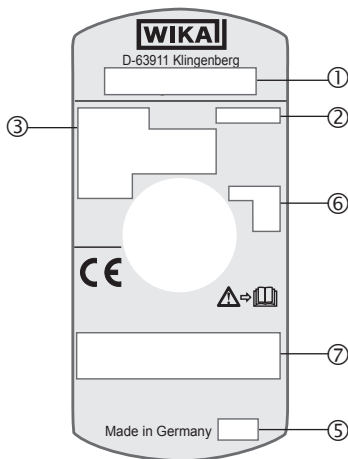
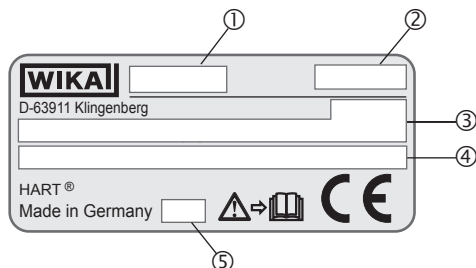
Operarios

El personal formado por el usuario es capaz de realizar el trabajo descrito y de identificar los peligros potenciales debido a su formación, el conocimiento y la experiencia.

Algunas condiciones de uso específicas requieren conocimientos adicionales, p. ej. acerca de medios agresivos.

3.5 Rótulos, marcajes de seguridad

Placas de características (ejemplos)



- ① Modelo
- ② Número de serie
- ③ Datos de versión (elemento de medición, rango de medición...)




Sensor conforme a norma

- F = Sensor de película delgada
- FT = Sensor de película delgada, sensible a puntas
- W = Sensor bobinado

Sensor conforme a norma

- Sin conexión a tierra
- Con conexión a tierra

- ④ Modelo de transmisor (sólo en la variante con transmisor)
- ⑤ Año de fabricación
- ⑥ Símbolo de sensor

- Sin conexión a tierra  = Aislado de masa
- Con conexión a tierra  = Soldado en el revestimiento (conectado a tierra)
- En principio puesto a tierra  = El termómetro debe considerarse como puesto a tierra debido a distancias de aislamiento mínimas entre sensor y revestimiento.

- ⑦ Datos relevantes de la homologación (versión no Ex = no especificación)



¡Es absolutamente necesario leer el manual de instrucciones antes del montaje y la puesta en servicio del instrumento!

4. Transporte, embalaje y almacenamiento

4.1 Transporte

Comprobar si el instrumento presenta eventuales daños causados en el transporte. Notificar daños obvios de forma inmediata.



¡CUIDADO!

Daños debidos a un transporte inadecuado

Transportes inadecuados pueden causar daños materiales considerables.

- ▶ Tener cuidado al descargar los paquetes durante la entrega o el transporte dentro de la compañía y respetar los símbolos en el embalaje.
- ▶ Observar las instrucciones en el capítulo 4.2 “Embalaje y almacenamiento” en el transporte dentro de la compañía.

Si se transporta el instrumento de un ambiente frío a uno caliente, puede producirse un error de funcionamiento en el mismo. En tal caso, hay que esperar a que la temperatura del instrumento se adapte a la temperatura ambiente antes de ponerlo nuevamente en funcionamiento.

4.2 Embalaje y almacenamiento

No quitar el embalaje hasta justo antes del montaje.

Condiciones admisibles en el lugar de almacenamiento:

Temperatura de almacenamiento:

Instrumentos **sin** transmisor incorporado: -40 ... +80 °C

Instrumentos **con** transmisor incorporado: véase el manual de instrucciones del respectivo transmisor

Evitar lo siguiente:

- Luz solar directa o proximidad a objetos calientes
- Vibración mecánica, impacto mecánico (colocación brusca)
- Hollín, vapor, polvo y gases corrosivos
- Entorno potencialmente explosivo, atmósferas inflamables

Almacenar el instrumento en su embalaje original en un lugar que cumple las condiciones arriba mencionadas. Si no se dispone del embalaje original, empaquetar y almacenar el instrumento como sigue:

1. Colocar el instrumento junto con el material aislante en el embalaje.
2. Para un almacenamiento prolongado (más de 30 días) colocar una bolsa con un desecante en el embalaje.

5. Puesta en servicio, funcionamiento



¡ADVERTENCIA!

Averías del instrumento de provocadas por una temperatura inferior o superior a la temperatura de servicio admisible.

La inobservancia de la temperatura de servicio admisible puede, ya durante el montaje, puede causar daños en el termómetro, también teniendo en cuenta la convección y la radiación térmica.

- ▶ Asegurarse de que la temperatura no sea inferior o superior al rango de temperatura de servicio especificado.

ES 5.1 Montaje mecánico

5.1.1 Termómetros multipunto

Por regla general, éstos están equipados con una caja, en la cual están montados transmisores o bornes en fila.

Los transmisores/indicadores digitales están fijados mecánicamente (por ej. sistemas de carriles en la caja o soporte en el cabezal).

5.1.2 Sensor de cable

Por regla general, éstos no están equipados con una caja. Sin embargo, pueden conectarse en una caja adicional, en la cual están montados el transmisor o los bornes en fila.

5.1.3 Roscas cilíndricas

Si el cabezal, el tubo de cuello, la vaina o la conexión a proceso están conectados con roscas cilíndricas (p. ej. 1/2, M20 x 1,5 ...), hay que proteger las roscas con juntas para prevenir la penetración de líquidos.

La junta estándar para la conexión entre cuello y vaina es una junta de cobre y la conexión entre cabezal y cuello o vaina es una junta plana de papel.

Termómetros y vainas previamente montados, están por defecto dotados de estas juntas (si se han pedido). El propietario de la instalación debe controlar la idoneidad de las juntas para las condiciones de uso y debe sustituirlas por juntas adecuadas si fuera necesario (véase el capítulo 11 „Accesorios“).

¡Sustituir las juntas tras finalizar el desmontaje!

5.1.4 Rosca cónica

Para roscas NPT u otras roscas cónicas, se debe comprobar la necesidad de un sellado adicional mediante cinta PTFE o cáñamo. Además se recomienda lubricar las roscas con sustancias adecuadas antes del montaje.

5.1.5 Indicaciones de montaje para sondas de temperatura con vaina de cerámica

Materiales de la vaina cerámicos están resistentes a choques térmicos sólo de forma limitada. Por eso, un cambio brusco de temperatura puede fácilmente causar fisuras y así dañar la vaina.

Por esta razón, precalentar termopares con vainas de cerámica o de zafiro antes del montaje y después sumergirlos lentamente en el proceso caliente.

Según DIN 43724, para vainas con un diámetro de 24/26 mm se recomienda una velocidad de inserción de 1 cm/mín. En caso de los diámetros más pequeños de 10/15 mm, esta última puede aumentarse a 50 cm/mín. En principio, temperaturas de procesos superiores requieren una velocidad de inserción más lenta.

Además de la protección contra tensión térmica, las vainas de cerámica deben protegerse también contra cargas mecánicas. La causa de estas cargas son fuerzas de flexión en caso de posición de montaje horizontal. Por lo tanto, en caso de montaje horizontal, el cliente debe prever un soporte adicional en función del diámetro, de longitudes nominales superiores y del diseño.

La indicación relativa al problema de flexión se aplica también a vainas metálicas, sobre todo con longitudes de montaje > 500 mm. En caso de temperaturas de proceso > 1.200 °C, generalmente es preferible el montaje vertical.

Debido a las elevadas cargas térmicas, químicas y mecánicas a las que están expuestas las vainas de protección de cerámica o zafiro durante su uso, no es posible ofrecer de forma concreta indicación alguna sobre su vida útil en general. Esto es especialmente aplicable en el caso de procesos con cargas extremas, como p. ej., reactores de gasificación. Por lo tanto, las piezas de los termoelementos expuestos al proceso son piezas de desgaste excluidas de la garantía.

Vaina de cerámica con conexión de purga

Para las vainas de cerámica con conexión de purga se recomiendan los siguientes ajustes básicos:

Presión del gas de purga: 0,25 ... 0,35 bar [3,6 ... 5,1 psi] sobre la presión máxima de proceso

Velocidad de flujo del gas de purga: aprox. 10 ... 12 LPH

Gas de purga: nitrógeno

Dependiendo del proceso, puede ser necesario un ajuste de los valores dados. La única responsabilidad de esto recae en el usuario final.

5. Puesta en servicio, funcionamiento

5.2 Montaje eléctrico

Uso de un transmisor/indicador digital (opcional):

Observar el contenido del manual de instrucciones del transmisor/indicador digital (ver volumen de suministro).

Prensaestopas

Condiciones previas para conseguir el grado de protección:

- Utilizar el prensaestopa sólo en la zona indicada de los bornes (diámetro del cable en función de las dimensiones del prensaestopa).
- No utilizar el rango de borne inferior con cables muy blandos.
- Sólo utilizar cables redondos (o de sección ligeramente ovalada).
- No torcer el cable.
- Es posible abrir y cerrar repetidamente; sin embargo puede afectar el grado de protección
- En cables de elevada susceptibilidad a efectos causados por flujo en frío se debe reapretar el racordaje.

ES

5.3 Conexión eléctrica



¡CUIDADO!

Riesgo de cortocircuito

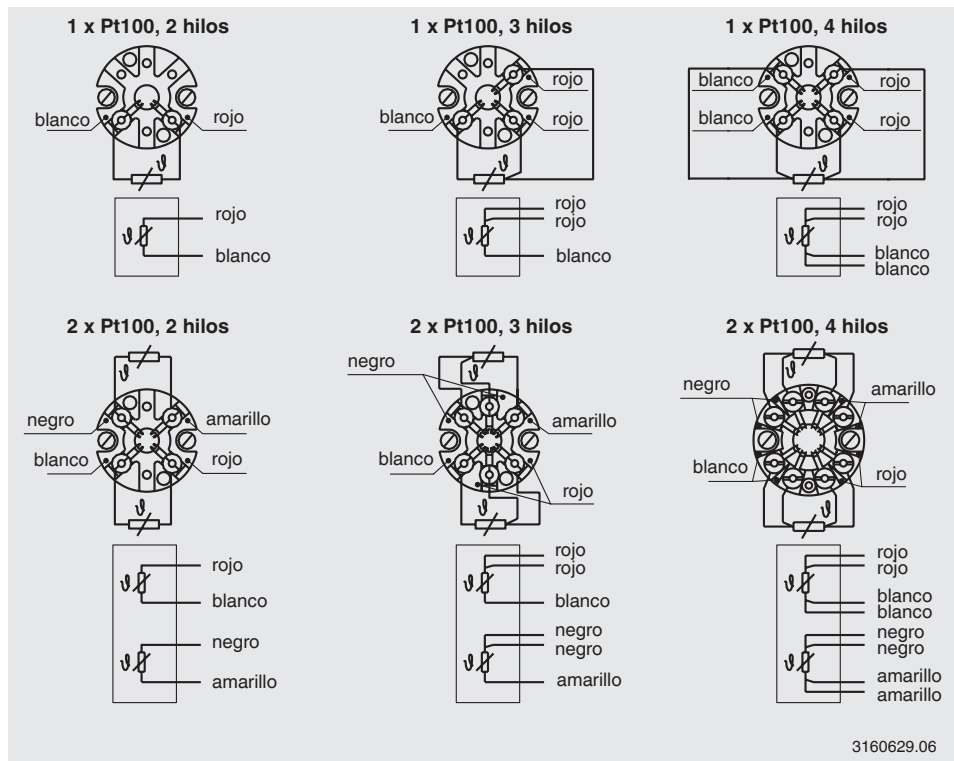
Daños en cables y puntos de unión pueden causar un mal funcionamiento del instrumento.

- ▶ Evitar daños en los cables. Equipar los extremos de los conductores con hilo fino de virolas de cables.

5. Puesta en servicio, funcionamiento

5.3.1 Termorresistencias

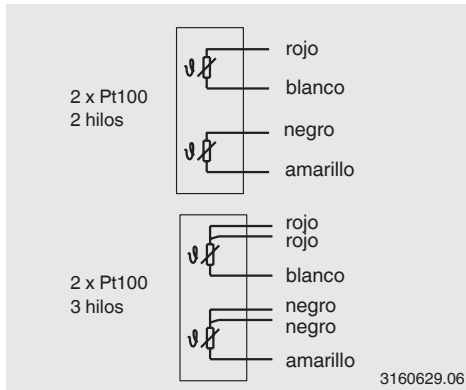
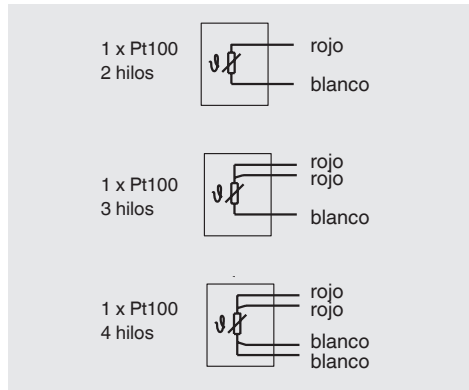
Zócalo estándar (código de color según IEC/EN 60751)



Codificación de asignación y color para Pt1000 así como para Pt100
Pt1000 solo disponible como elementos simples

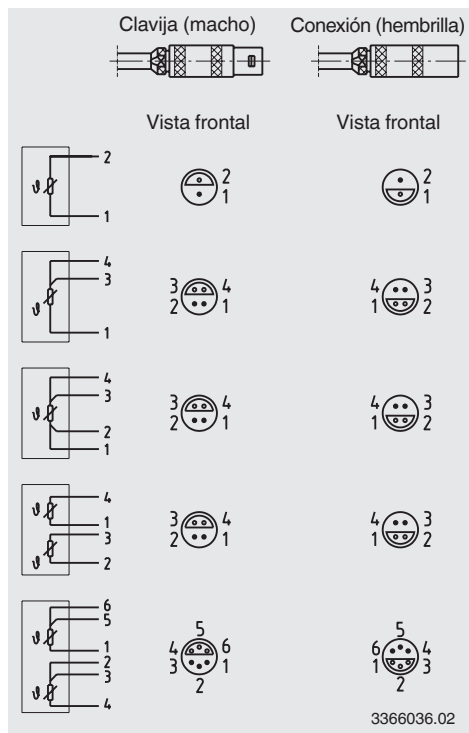
5. Puesta en servicio, funcionamiento

Sans connecteur

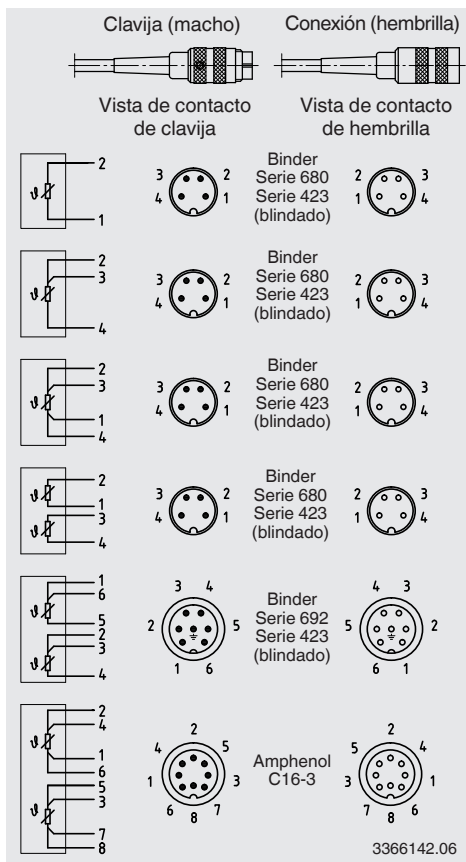


ES

Conector lemosa



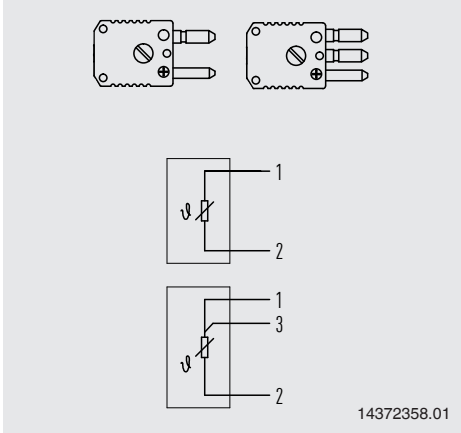
Conectores atornillables y enchufables (Amphenol, Binder)



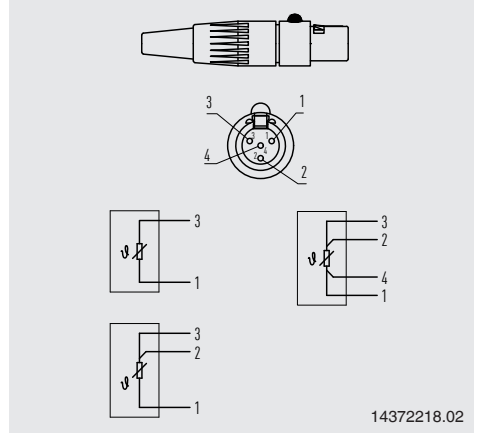
14150915.07 11/2020 EN/DE/FR/ES

5. Puesta en servicio, funcionamiento

Conector térmico (RTD, male)

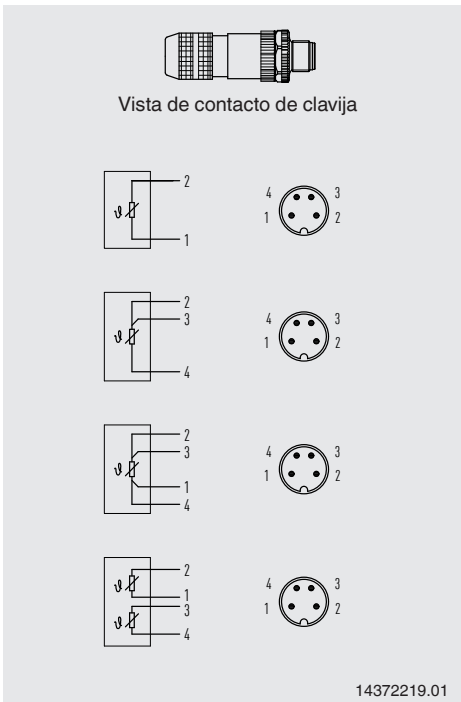


Conector mini XLR (female)

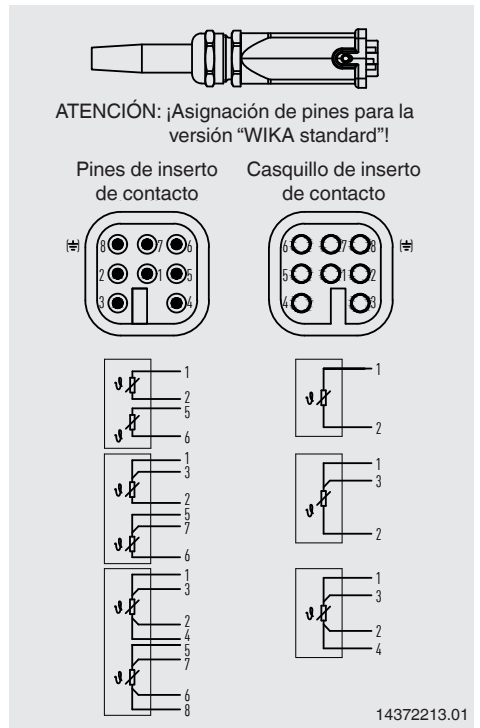


ES

Conector atornillable y enchufable Binder (male), M12 x 1 (series 713)



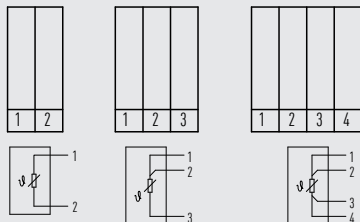
Conector Harting



5. Puesta en servicio, funcionamiento

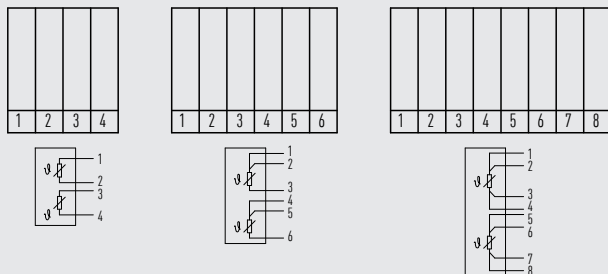
Borne de carril

1 x Pt100 o Pt1000
conexión de 2, 3 o 4 hilos



14382009.01

2 x Pt100
conexión de 2, 3 o 4 hilos

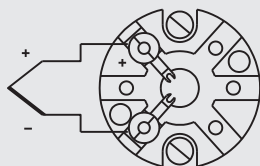


ES

5.3.2 Termopares

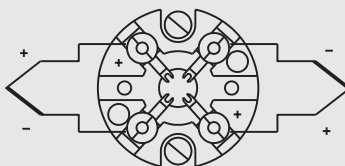
Con zócalo de conexión

Termopar simple



Para la asignación de polaridad/borne rige la identificación en color del polo positivo en el instrumento

Termopar doble



3166822.03

Codificación de color de las hebras de cable

Tipo de sensor	Norma	Polo positivo	Polo negativo
K	IEC 60584	Verde	Blanco
J	IEC 60584	Negro	Blanco
E	IEC 60584	Violeta	Blanco
N	IEC 60584	Rosa	Blanco

5. Puesta en servicio, funcionamiento

Con cable o conector

	Cable	Conector lemosa, macho en el cable	Conector Binder, macho en el cable (Unión atornillada-enchufada)
	Para identificación de los extremos de conductores, veáse la tabla	3171966.01	3374896.01
Termopar simple			
Termopar doble			
Conector	El polo positivo y el polo negativo están identificados. En los termopares dobles se emplean dos termoconectores.		

ES

5.4 Pares de apriete

5.4.1 Pares de apriete entre prensaestopa y cabezal

■ Conexión entre prensaestopa y cabezal

Rosca	Pares de apriete
M20 x 1,5	12 Nm
½ NPT	T.F.F.T 2 - 3 ¹⁾

■ Conexión entre cable y prensaestopa

Roscar firmemente el tornillo de apriete en la pieza intermedia (¡Utilizar herramientas adecuadas!)

1) Giros después del apriete a mano (T.F.F.T)

5. Puesta en servicio, funcionamiento

5.4.2 Pares de apriete entre cabezal y cuello

Rosca	Pares de apriete	
	Material del cabezal	
	Aluminio	Acero inoxidable
½ NPT	T.F.F.T 2 - 3 ¹⁾	T.F.F.T 2 - 3 ¹⁾
¾ NPT	T.F.F.T 2 - 3 ¹⁾	T.F.F.T 2 - 3 ¹⁾
M24 x 1,5 con tornillo de presión ²⁾	27 Nm	30 Nm

ES 5.4.3 Pares de apriete para conexión a la vaina

Rosca	Pares de apriete
½ NPT	T.F.F.T 2 - 3 ¹⁾
¾ NPT	T.F.F.T 2 - 3 ¹⁾
G ½ B	35 Nm
G ¾ B	40 Nm
M14 x 1,5	25 ... 30 Nm
M18 x 1,5	35 Nm
M20 x 1,5	35 ... 40 Nm
M27 x 2	40 ... 45 Nm

5.4.4 Pares de apriete para racord deslizante

Sellado	Revoluciones	Presión máx. en bar
Anillo de compresión de acero inoxidable	1 ¼ ... 1 ½	100
Anillo de corte de acero inoxidable	1 ¼ ... 1 ½	100
Anillo de compresión de PTFE	1 ¼ ... 1 ½	8

1) Giros después del apriete a mano (T.F.F.T)

2) Sólo en versiones con cuello no separable

5. Puesta en servicio, funcionamiento

5.4.5 Pares de apriete para el termómetro



Cabezal, se puede elegir (ejemplo)

Pares de apriete entre cabezal y cuello

Rosca	Pares de apriete	
	Material del cabezal	
	Aluminio	Acero inoxidable
1/2 NPT	T.F.F.T 2 - 3 ¹⁾	T.F.F.T 2 - 3 ¹⁾
3/4 NPT	T.F.F.T 2 - 3 ¹⁾	T.F.F.T 2 - 3 ¹⁾
M20 x 1,5 con contratuerca ²⁾	23 Nm	25 Nm
M24 x 1,5 con contratuerca ²⁾	27 Nm	30 Nm

Pares de apriete para conexión al cuello

Rosca	Pares de apriete
R 1	50 ... 60 Nm

Pares de apriete para conexión a la vaina

Rosca	Pares de apriete
1/2 NPT	T.F.F.T 2 - 3 ¹⁾
3/4 NPT	T.F.F.T 2 - 3 ¹⁾
G 1/2 B	35 Nm
G 3/4 B	40 Nm
M14 x 1,5	25 ... 30 Nm
M18 x 1,5	35 Nm
M20 x 1,5	35 ... 40 Nm
M27 x 2	40 ... 45 Nm

1) Giros después del apriete a mano (T.F.F.T)

2) Sólo en versiones con cuello no separable

- Roscar y desenroscar el instrumento únicamente en las zonas de agarre para la llave utilizando una herramienta adecuada y aplicando el par de giro especificado.
- El par de giro correcto depende de la dimensión de la rosca de conexión así como de la junta utilizada (forma/material).
- No utilizar el cabezal como superficie de contacto para enroscar o desenroscar.
- Vigilar al enroscar que no se ladeen las espiras.

5. Puesta en servicio, funcionamiento

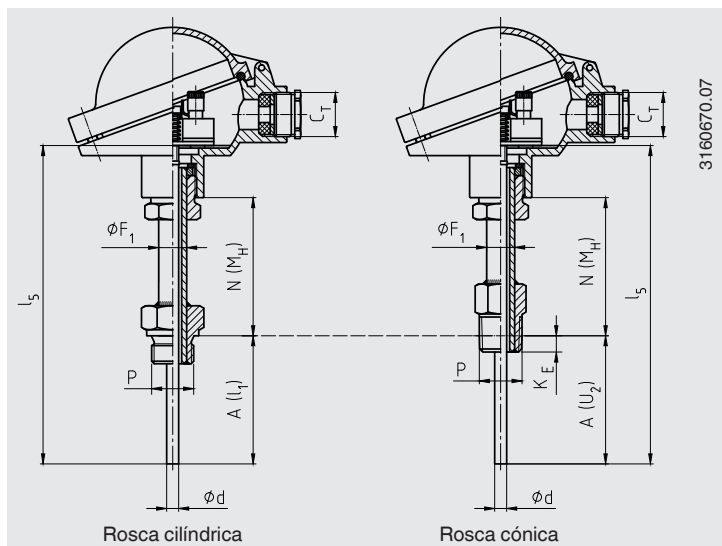
5.5 Arrastre de temperatura del proceso

No está permitido un flujo térmico proveniente del proceso que supere la temperatura de servicio del transmisor (indicador digital) o de la caja. Para prevenir este efecto se aplica un aislamiento térmico adecuado o un tubo de cuello suficientemente largo.

Aumento de la distancia de los componentes de conexión a las superficies calientes

La longitud de cuello (N) está definida como la distancia entre el borde inferior del cabezal de conexión o caja y la superficie de radiación térmica. La temperatura previsible en el borde inferior del cabezal de conexión o de la caja es de 80 °C como máximo. Deben tenerse en cuenta las condiciones para un transmisor incorporado o indicador; en caso necesario deberá aumentarse la longitud del cuello en forma correspondiente.

ES



Como ayuda para la selección de la longitud mínima del cuello se determinaron los siguientes valores de orientación.

Temperatura máxima del medio	Recomendación para la medida N	Recomendación para la medida X
100 °C	-	-
135 °C	20 mm	20 mm
200 °C	50 mm	50 mm
> 200 °C ≤ 450 °C	100 mm	100 mm

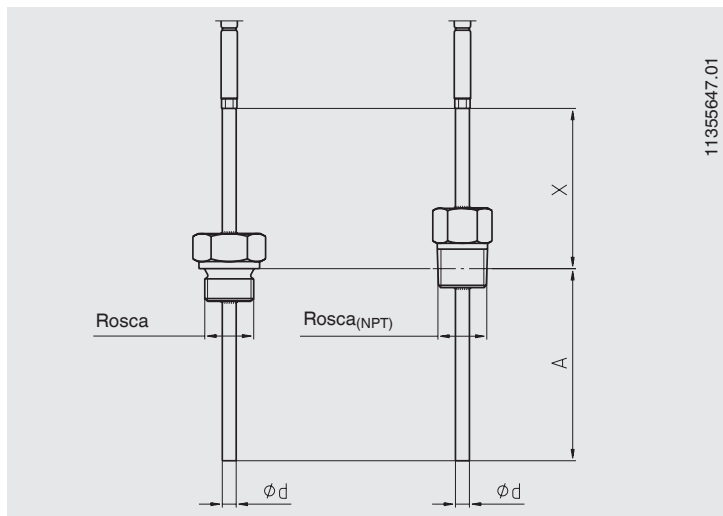
En termómetros con cable de conexión, la temperatura en el punto de transición al cable de conexión es limitada. Ésta es de máx. 150 °C. Seleccionando la medida X puede asegurarse que no se supere la temperatura permitida.

5. Puesta en servicio, funcionamiento

Aumento de la distancia de los componentes de conexión a las superficies calientes

La longitud X está definida como la distancia entre el punto de transición en el cable y la superficie de radiación térmica. La temperatura previsible en el punto de transición es de 120 °C como máximo.

- Si fuera necesario, aumentar la longitud X de manera correspondiente.



ES

6. Indicaciones adicionales para instrumentos con EHEDG y 3-A

6.1 Cumplimiento de la conformidad conforme a 3-A

Para una conexión conforme a 3-A para uniones roscadas higiénicas conforme a DIN 11851 se han de emplear juntas de perfil apropiadas (p. ej., componentes SKS BV o Kieselmann GmbH).

Observación:

Las conexiones conforme a SMS, APV RJT y NEUMO Connect S no son conformes a 3-A.

ES

6.2 Cumplimiento de la conformidad EHEDG

Para una conexión conforme a EHEDG deben utilizarse sellamientos de acuerdo con el documento de política de EHEDG actual.

Fabricadas de juntas

- Juntas para conexiones conforme a ISO 2852, DIN 32676 y BS 4825 parte 3: p. ej. Combifit International B.V.
- Juntas para conexiones conforme a DIN 11851: p. ej. Kieselmann GmbH
- Juntas VARIVENT®: p. ej. GEA Tuchenhausen GmbH

6.3 Indicaciones de montaje

Siga las instrucciones a continuación, especialmente para dispositivos certificados por EHEDG y conformes a 3-A.

- Para cumplir con la certificación EHEDG, se debe utilizar una conexión de proceso recomendada por EHEDG. Estas están marcadas con un logotipo en la hoja técnica.
- Para cumplir con los estándares 3-A, se debe usar una conexión de proceso que cumpla con 3-A. Estas están marcadas con un logotipo en la hoja técnica.
- Montar la sonda de temperatura incluyendo la vaina con mínimo espacio muerto y facilidad de limpieza.
- La posición de instalación de la sonda de temperatura, incluida la vaina, el racor soldado y la pieza en T de instrumentación, debe ser autodrenante.
- La posición de instalación no debe formar una cubeta o causar formación de sumidero.

6.4 Procesos de limpieza in situ (CIP)

- Utilice únicamente agentes de limpieza adecuados para las juntas utilizadas.
- Los detergentes no deben ser abrasivos ni atacar corrosivamente los materiales en contacto con el medio.
- Evite choques de temperatura o cambios rápidos de temperatura. La diferencia de temperatura entre el detergente y el enjuague con agua debe ser lo más baja posible. Ejemplo negativo: limpieza con 80 °C y enjuague con +4 °C de agua fría.

7. Errores



¡CUIDADO!

Lesiones corporales, daños materiales y del medio ambiente

Si no se pueden solucionar los defectos mencionados se debe poner el dispositivo inmediatamente fuera de servicio.

- ▶ Asegurar que el dispositivo no reciba ninguna señal y disponer las medidas necesarias para evitar una puesta en marcha accidental.
- ▶ Contactar con el fabricante.
- ▶ En caso de devolución, observar las indicaciones del capítulo 9.2 “Devolución”.



¡ADVERTENCIA!

Lesiones corporales, daños materiales y del medio ambiente causados por medios peligrosos

En caso de contacto con medios peligrosos (p. ej. oxígeno, acetileno, inflamables o tóxicos) medios nocivos para la salud (p. ej. corrosivas, tóxicas, cancerígenas radioactivas) y con sistemas de refrigeración o compresores existe el peligro de lesiones corporales, daños materiales y del medio ambiente.

En caso de fallo es posible que haya medios agresivos con temperaturas extremas o de bajo presión o que haya un vacío en el instrumento.

- ▶ Con estos medios deben observarse en cada caso, además de todas las reglas generales, las disposiciones pertinentes.
- ▶ Llevar el equipo de protección necesario (en función de la aplicación correspondiente; El termómetro mismo en principio no es peligroso.).



Datos de contacto véase el capítulo 1 “Información general” o parte posterior del manual de instrucciones.

Errores	Causas	Medidas
Sin señal/rotura de cable	Carga mecánica excesiva o temperaturas extremas	Sustituir el sensor o la unidad extraíble por una versión adecuada
Valores de medición erróneos	Desviación por sobretemperatura	Sustituir el sensor o la unidad extraíble por una versión adecuada
	Desviación por ataque químico	Utilizar una vaina apta.
Valores de medición erróneos (demasiado bajos)	Humedad en el cable o en la unidad extraíble	Sustituir el sensor o la unidad extraíble por una versión adecuada
Valores de medición erróneos y tiempos de activación demasiado largos	Geometría de montaje equivocada, p. ej. profundidad de montaje demasiado reducida o disipación de calor demasiado elevada	La zona del sensor sensible a la temperatura debe situarse en el interior del medio y las superficies deben estar aisladas
	Depósitos en el sensor o la vaina	Eliminar los residuos

7. Errores / 8. Mantenimiento, limpieza y calibración

Errores	Causas	Medidas
Valores de medición erróneos (termopares)	Tensión parásita (tensión termoelectrónica, tensión galvánica) o cable de compensación no correcta	Utilizar un cable de compensación adecuado
La indicación del valor de medición salta	Rotura en el cable de conexión o contacto intermitente por sobrecarga mecánica	Sustituir el sensor o la unidad extraíble por una versión adecuada, p. ej. con resorte de protección contra el pandeo o sección de cable superior
Corrosión	La composición del medio no coincide con la composición supuesta o se ha modificado o se ha seleccionado el material de vaina no correcto	Analizar el medio, seleccionar un material más apto o sustituir periódicamente la vaina
Señal perturbada	Interferencia por campos eléctricos o bucles de tierra	Utilizar cables de conexión blindados, aumentar la distancia hacia motores y líneas bajo tensión
	Bucles de tierra	Eliminar los potenciales, utilizar separaciones o transmisores con aislamiento galvánico

ES

8. Mantenimiento, limpieza y calibración



Datos de contacto véase el capítulo 1 “Información general” o parte posterior del manual de instrucciones.

8.1 Mantenimiento

¡Los termómetros descritos aquí no requieren mantenimiento!

Todas las reparaciones solamente las debe efectuar el fabricante.

8.2 Limpieza



¡CUIDADO!

Lesiones corporales, daños materiales y del medio ambiente

Una limpieza inadecuada provoca lesiones corporales, daños materiales y del medio ambiente. Medios residuales en el instrumento desmontado pueden causar riesgos para personas, medio ambiente e instalación.

- ▶ Realizar el proceso de limpieza tal como se describe a continuación.

8. Mantenimiento, limpieza y calibración

- ▶ Observar la temperatura y el modo de protección admisible para la limpieza desde el exterior ("Wash Down").
- ▶ Antes de limpiar desconectar el instrumento de la red.
- ▶ Utilizar el equipo de protección necesario (en función de la aplicación correspondiente; El termómetro mismo en principio no es peligroso.).
- ▶ Limpiar el instrumento con un trapo húmedo.
Esto vale especialmente para termómetros con cajas de plástico y sensores de cable con línea de conexión con aislamiento de plástico, a fin de evitar el peligro de cargas electrostáticas.
¡Asegurarse de que las conexiones eléctricas no entran en contacto con humedad!



¡CUIDADO!

Daño al dispositivo

¡Una limpieza inadecuada puede dañar el dispositivo!

- ▶ No utilizar productos de limpieza agresivos.
 - ▶ No utilizar ningún objeto puntiagudo o duro para la limpieza.
- ▶ Enjuagar y limpiar el dispositivo desmontado para proteger a las personas y el medio ambiente contra peligros por medios residuales adherentes.

8.3 Calibración, Recalibración

Se recomienda hacer recalibrar la unidad extraíble a intervalos periódicos (termorresistencias: aprox. 24 meses; termopares: aprox. 12 meses). Este período se acorta en función de las aplicaciones específicas. La calibración puede ser realizada por el fabricante o directamente in situ, con instrumentos de calibración manejados por personal técnico calificado.

8.3.1 Instrumentos con unidad de medición extraíble

(modelos Tx10-B, Tx10-C, Tx10-D, Tx10-F, TR10-J, Tx10-L, Tx10-O, TR11-C, Tx12-B, Tx12-M, TR22-A, TR22-B, TR55, Tx81)

Para la calibración, se retira la unidad de medida extraíble de la sonda.

La longitud mínima (parte metálica de la sonda) para realizar una prueba de precisión de medición 3.1 o DKD/DAkkS es de 100 mm.

8.3.2 Instrumentos con unidad de medida no extraíble o sondas de cable

(modelos Tx10-H, TR21-A, TR21-B, TR21-C, TR30, TR31, TR33, TR34, TR36, Tx40, TR41, Tx50, Tx53, TR75)

La longitud mínima (parte metálica de la sonda o longitud de la sonda debajo de la conexión a proceso) para realizar una prueba de precisión de medición 3.1 o DKD/DAkkS es de 100 mm.

8.3.3 Unidades de medida extraíble

(modelos Tx10-A, Tx10-K, TR11-A, Tx12-A)

La longitud mínima para realizar una prueba de precisión de medición 3.1 o DKD/DAkkS es de 100 mm.

ES

8.3.4 Sondas multipunto

(modelos TC94, Tx95, TC96-O, TC96-R, TC96-M, TC97)

Las sondas individuales se calibran antes del montaje final.

8.3.5 Instrumentos con vaina de cerámica

(modelos TC80, TC82, TC83, TC84, TC85)

La longitud mínima (parte cerámica de la sonda) para realizar una prueba de precisión de medición 3.1 o DKD/DAkkS es de 350 mm para versiones estándar. Calibración de instrumentos con longitudes de cerámica de 200 mm a 350 mm a petición.

8.3.6 Instrumentos con membrana enrasada y en línea

(modelos TR20, TR25)

El termómetro se sumerge en un baño líquido para su calibración.

8.3.7 No calibrable

(modelos TR57-M, TR60, Tx90)

Las versiones estándar de este instrumento no pueden ser calibradas.

ES

9. Desmontaje, devolución y eliminación de residuos

9.1 Desmontaje



¡ADVERTENCIA!

Lesiones corporales, daños materiales y del medio ambiente por medios residuales

En caso de contacto con medios peligrosos (p. ej. oxígeno, acetileno, inflamables o tóxicos) medios nocivos para la salud (p. ej. corrosivas, tóxicas, cancerígenas radioactivas) y con sistemas de refrigeración o compresores existe el peligro de lesiones corporales, daños materiales y del medio ambiente.

- ▶ Enjuagar y limpiar el dispositivo desmontado (tras servicio) antes de proceder a su almacenaje para proteger a las personas y el medio ambiente de la exposición a medios adherentes.
- ▶ Utilizar el equipo de protección necesario (en función de la aplicación correspondiente; El termómetro mismo en principio no es peligroso.).
- ▶ Observar la ficha de datos de seguridad correspondiente al medio.

Desmontar la sonda solo en estado despresurizado.



¡ADVERTENCIA!

Riesgo de quemaduras

Peligro debido a medios muy calientes que se escapan durante el desmontaje.

- ▶ ¡Dejar enfriar el instrumento lo suficiente antes de desmontarlo!

9. Desmontaje, devolución y eliminación de residuos

9.2 Devolución

Es imprescindible observar lo siguiente para el envío del instrumento:

Todos los instrumentos enviados a WIKA deben estar libres de sustancias peligrosas (ácidos, lejías, soluciones, etc.) y, por lo tanto, deben limpiarse antes de devolver.



¡ADVERTENCIA!

Lesiones corporales, daños materiales y del medio ambiente por medios residuales

Medios residuales en el instrumento desmontado pueden causar riesgos para personas, medio ambiente e instalación.

- ▶ En caso de sustancias peligrosas adjuntar la ficha de datos de seguridad correspondiente al medio.
- ▶ Limpiar el dispositivo, consultar el capítulo 8.2 “Limpieza”.

ES

Utilizar el embalaje original o un embalaje adecuado para la devolución del instrumento.

Para evitar daños:

1. Colocar el instrumento junto con el material aislante en el embalaje.
Aislar uniformemente todos los lados del embalaje de transporte.
2. Si es posible, adjuntar una bolsa con secante.
3. Aplicar un marcaje que indique que se trata de un envío de un instrumento de medición altamente sensible.



Comentarios sobre el procedimiento de las devoluciones encuentra en el apartado “Servicio” en nuestra página web local.

9.3 Eliminación de residuos

Una eliminación incorrecta puede provocar peligros para el medio ambiente.

Eliminar los componentes de los instrumentos y los materiales de embalaje conforme a los reglamentos relativos al tratamiento de residuos y eliminación vigentes en el país de utilización.



No eliminar en las basuras domésticas. Garantizar una eliminación correcta según las prescripciones nacionales.

10. Datos técnicos

Debido a la gran variedad hay amplios datos técnicos. Por esto remitimos a las hojas técnicas de WIKA y a la documentación de pedida.

■ Termorresistencias

Modelo	Hoja técnica
TR10-0	TE 61.01
TR10-A	TE 60.01
TR10-B	TE 60.02
TR10-C	TE 60.03
TR10-D	TE 60.04
TR10-F	TE 60.06
TR10-H	TE 60.08
TR10-J	TE 60.10
TR10-K	TE 60.11
TR11-A	TE 60.13
TR11-C	TE 60.14
TR11-H	-
TR20	TE 60.20
TR22-A	TE 60.22
TR22-B	TE 60.23
TR25	TE 60.25
TR40	TE 60.40
TR41	TE 60.41
TR50	TE 60.50
TR51	TE 60.51
TR53	TE 60.53
TR55	TE 60.55
TR60	TE 60.60
TR81	TE 60.81
TR95	TE 70.01

■ Termopares

Modelo	Hoja técnica
TC10-0	TE 66.01
TC10-A	TE 65.01
TC10-B	TE 65.02
TC10-C	TE 65.03
TC10-D	TE 65.04
TC10-F	TE 65.06
TC10-H	TE 65.08
TC10-K	TE 65.11
TC40	TE 65.40
TC50	TE 65.50
TC53	TE 65.53
TC55	TE 65.55
TC80	TE 65.80
TC81	TE 65.81
TC82	TE 65.82
TC83	TE 65.83
TC95	TE 70.01

ES

11. Accesorios

11. Accesorios



Las juntas pueden pedirse a WIKA indicando el número de pedido y/o la referencia (véase la tabla).

WIKA N° de pedido	Denominación	Adecuado para roscas
11349981	según DIN 7603 forma C 14 x 18 x 2 -CuFA	G ¼, M14 x 1,5
11349990	según DIN 7603 forma C 18 x 22 x 2 -CuFA	M18 x 1,5, G ¾
11350008	según DIN 7603 forma C 21 x 26 x 2 -CuFA	G ½, M20 x 1,5
11350016	según DIN 7603 forma C 27 x 32 x 2,5 -CuFA	G ¾, M27 x 2
11367416	según DIN 7603 forma C 20 x 24 x 2 -CuFA	M20 x 1,5
1248278	según DIN 7603 D21,2 x D25,9 x 1,5 -Al	G ½, M20 x 1,5
3153134	según DIN 7603 forma C D14,2 x D17,9 x 2 -StFA	G ¼, M14 x 1,5
3361485	según DIN 7603 forma C D33,3 x D38,9 x 2,5 -StFA	G 1

ES

Leyenda:

CuFA = Cobre, máx. 45HB^a; con un relleno de material de sellado libre de amianto

Al = Aluminio Al99 ; F11, 32 a 45 HB^b

StFA = Hierro dulce, 80 a 95 HB^a; con un relleno de material de sellado libre de amianto



WIKA subsidiaries worldwide can be found online at www.wika.com.
WIKA-Niederlassungen weltweit finden Sie online unter www.wika.de.
La liste des filiales WIKA dans le monde se trouve sur www.wika.fr.
Sucursales WIKA en todo el mundo puede encontrar en www.wika.es.



WIKA Alexander Wiegand SE & Co. KG

Alexander-Wiegand-Strasse 30

63911 Klingenberg • Germany

Tel. +49 9372 132-0

Fax +49 9372 132-406

info@wika.de

www.wika.de