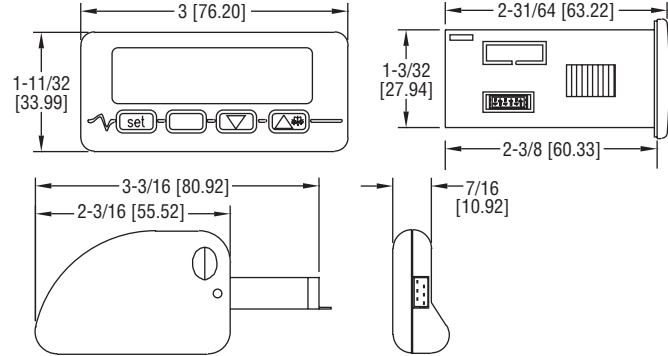




# DIGITAL TEMPERATURE SWITCH

## 3-1/2 Digit Display, Programming Configuration Key



The **SERIES 40T/40M** Digital Temperature Switch accepts a variety of inputs to allow temperature measurements and set points up to 1999°F (1300°C).

### FEATURES/BENEFITS

- Field selectable °F or °C
- Universal temperature sensor or transmitter input on 40M models
- Configuration key to quickly load parameters from one unit to another
- Heating or cooling models

### APPLICATIONS

- Food service equipment
- Industrial process control

MODEL CHART			
Thermocouple/ RTD Input Model	Supply Power	Universal Input Model	Supply Power
40T-10	115 VAC	40M-10	115 VAC
40T-20	230 VAC	40M-20	230 VAC
40T-40	12-24 VAC/VDC	40M-40	12-24 VAC/VDC

### SPECIFICATIONS

**Probe Range:** K T/C: -140 to 1999°F (-100 to 1300°C); J T/C: -140 to 1450°F (-100 to 800°C); RTD: -320 to 1200°F (-200 to 650°C); PTC: -58 to 300°F (-50 to 150°C); NTC: -40 to 230°F (-40 to 110°C); N. RTD: -110 to 570°F (-80 to 300°C).

**Output:** 16 A @ 250 VAC SPDT relay (max current allowed is 10 A).

**Control Type:** On/off.

**Power Requirements:** 12 to 24 VAC/VDC, 115 VAC or 230 VAC depending on model.

**Accuracy:** ±1% FS.

**Display:** 3-1/2 digit red display.

**Resolution:** 0.1°C.

**Memory Backup:** Non-volatile memory.

**Ambient Temperature:** 32 to 131°F (0 to 55°C).

**Weight:** 2.3 oz (65 g).

**Front Panel Rating:** IP65.

**Agency Approvals:** CE, cULus.