

# Series L6 Ball Valve

Two-Piece Instrument Ball Valve

Sizes 1/4" ~ 1"



The SVF Series L6 Ball Valves are compression-ended valves designed to be compatible with all of the leading instrument fittings. The L6 is an economical, manually operated valve that meets industry requirements for performance and dependability.

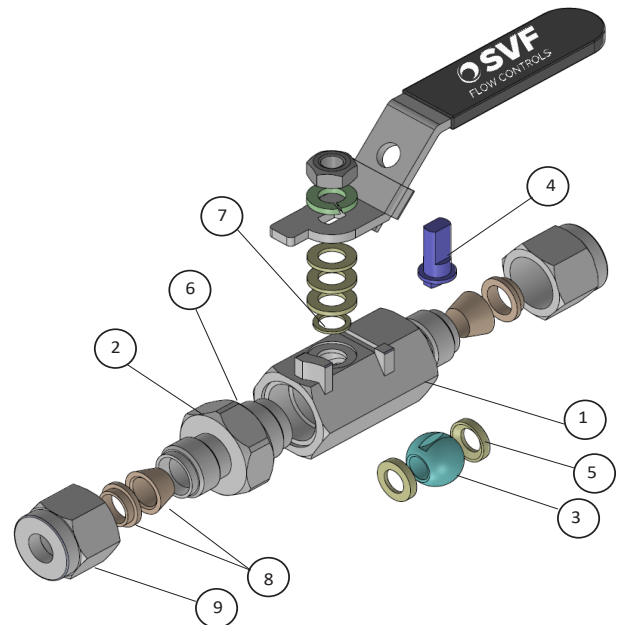
## SERIES L6 DESIGN FEATURES

- ✓ Designed & built for economical performance
- ✓ Pressure rated for 2000 WOG
- ✓ 316 Stainless Steel body, ball and stem
- ✓ Compression Ends with Nuts and Ferrule
- ✓ Vinyl grip handle
- ✓ Blowout proof stem adds safety & reliability
- ✓ Lockable in the "Open" or "Closed" position



## MATERIALS OF CONSTRUCTION

ITEM	DESCRIPTION	MATERIALS SPECIFICATIONS
1	Body	316 Stainless Steel (ASTM A351-CF8M)
2	End Connector	316 Stainless Steel (AISI 316)
3	Ball	316 Stainless Steel (AISI 316)
4	Stem	316 Stainless Steel (AISI 316)
5	Seat	TFM1600™
6	Body Seal	PTFE
7	Stem Seal	PTFE
8	Ferrule (Set)	316 Stainless Steel (AISI 316)
9	Nut	316 Stainless Steel (AISI 316)



*What do you need today?*™



# Series L6 Ball Valve

Two-Piece Instrument Ball Valve

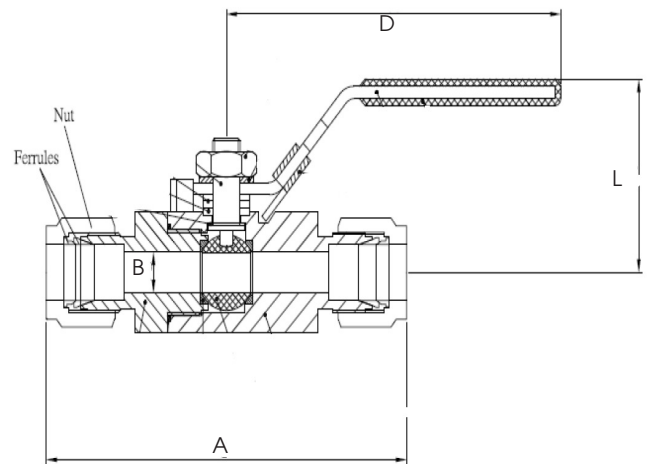
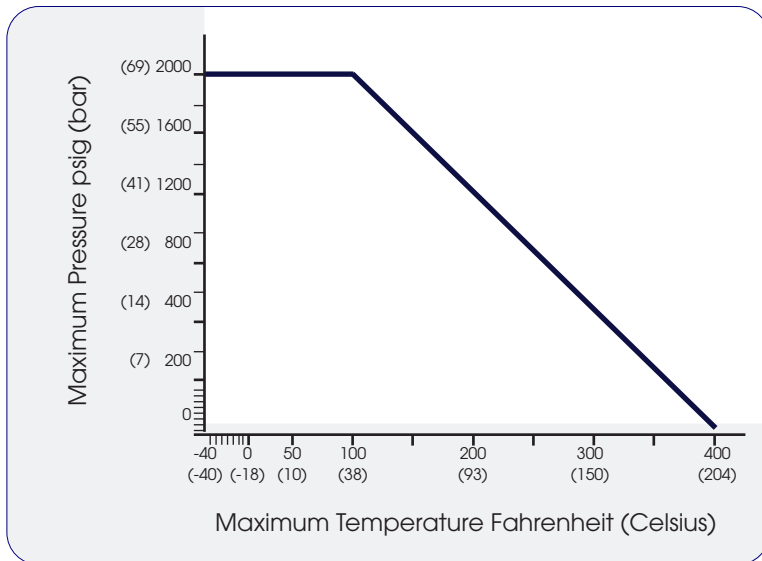
Sizes 1/4" ~ 1"



## DIMENSIONS, WEIGHT, CV

Size	A		B		D		L		Weight		Cv	Torque*	
	in.	mm	in.	mm	in.	mm	in.	mm	lbs	kg		in-lbf	Nm
1/4"	2.83	72	0.20	5	2.66	67.5	1.02	26	0.24	0.11	1.1	18	2
3/8"	3.15	80	0.28	7	3.05	77.5	1.18	30	0.37	0.17	2.2	18	2
1/2"	3.74	95	0.36	9.2	3.74	95	1.50	38	0.66	0.30	4.4	27	3
3/4"	4.13	105	0.49	12.5	3.74	95	1.65	42	1.10	0.50	9	35	4
1"	4.92	125	0.59	15	4.45	113	1.81	46	1.90	0.86	13	44	5

## L6 - PRESSURE/TEMPERATURE CHART



### Class 900

Note: Maximum pressure & temperature is limited to the seat material rating

## L6 Series Part Numbers

Size	Part #
1/4"	L6006666ATBLC0020000
3/8"	L6006666ATBLC0030000
1/2"	L6006666ATBLC0050000
3/4"	L6006666ATBLC0070000
1"	L6006666ATBLC0100000