

Series B41C Ball Valve

ANSI Class 150 Flanged, Fire-Safe Ball Valve
 Sizes 1/2" ~ 8"



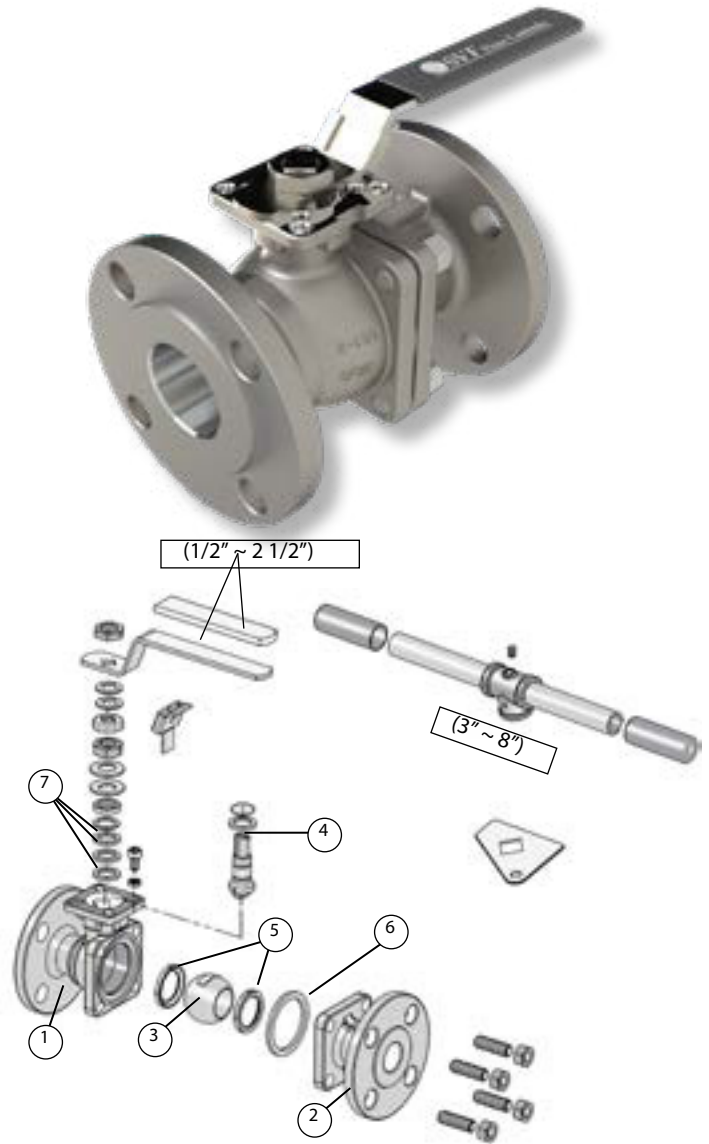
The SVF Series B41C Flanged Ball Valves are high performance, full ported valves certified to API-607 fire-safe standard (with GRAFOIL[®] body seals only), API-608 and feature an ISO 5211 mounting pad for easy actuation. An OSHA compatible latch-lock handle comes standard, and a variety of seats and seals are available for a wide range of industrial applications.

SERIES B41C DESIGN FEATURES

- ✓ Fire-Safe certification to API-607 (with GRAFOIL[®], body seals only)
- ✓ Certified to API-608 to meet the additional design, operation and performance requirements of the Petroleum Refining, Petrochemical Processing and Chemical Processing Industries
- ✓ Standard NACE MR 0175
- ✓ Live-loaded stem packing ensures seal-tight pressure containment even under thermal cycling
- ✓ ISO 5211 mounting pad for direct mount automation
- ✓ Standard seat material is TFM1600[™]
- ✓ Blowout proof stem adds safety & reliability
- ✓ Standard Anti-Static stem
- ✓ Latch lock handle fully compatible with OSHA
- ✓ ISO 15848-1 Certified for Emissions

MATERIALS OF CONSTRUCTION

ITEM	DESCRIPTION	MATERIALS SPECIFICATIONS
1	Body	316 Stainless Steel (ASTM A351 CF8M) Carbon Steel (ASTM A216 WCB)
2	End Connector	316L Stainless Steel (ASTM A351 CF8M) Carbon Steel (ASTM A216 WCB)
3	Ball	316 Stainless Steel (ASTM A351 CF8M)
4	Stem	SUS 316
5	Seat	TFM1600 [™] or SupraLon [™]
6	Body Seal	GRAFOIL [®] + 316 Stainless Steel or PTFE
7	Stem Seal	GRAFOIL [®] or PTFE



SPECIFICATION STANDARDS OF COMPLIANCE

- Design - ASME B16.34, NACE MR 0175
- Face to Face: ASME B16.10
- End Flange: ASME B16.5
- Wall Thickness: ASME B16.34
- Inspection & Testing: API 598,
- Fire Safe: API 607, ISO 10497

What do you need today?[™]



Series B41C Ball Valve

ANSI Class 150 Flanged, Fire-Safe Ball Valve

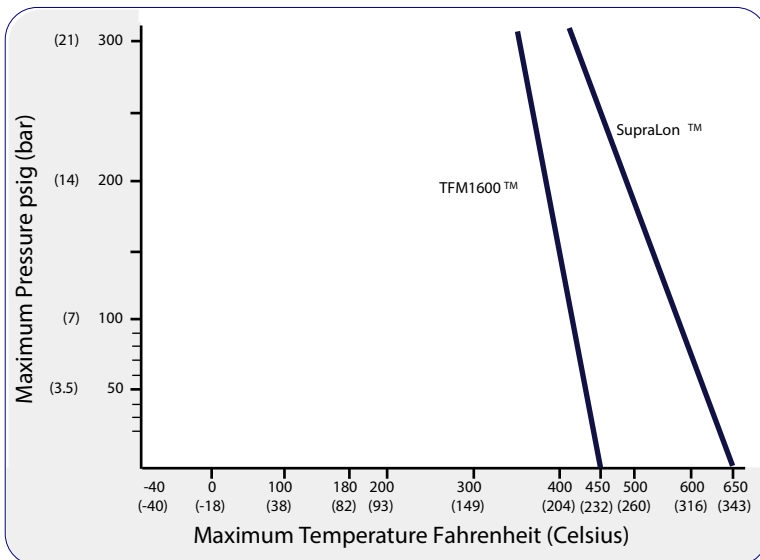
Sizes 1/2" ~ 8"



DIMENSIONS, WEIGHT, C_v, TORQUE

Size	A		B		D		L		Weight		C _v	Torque* TFM1600™		Torque* SupraLon™	
	in.	mm	in.	mm	in.	mm	in.	mm	lbs	kg		in-lbf	Nm	in-lbf	Nm
1/2"	4.25	108	0.59	15	5.70	145	3.07	78	4	1.8	25	63	7	91	10
3/4"	4.62	117	0.79	20	5.70	145	3.31	84	5	2.2	45	76	9	98	11
1"	5.00	127	0.98	25	6.90	175	3.52	89	6	2.7	85	130	15	172	19
1-1/2"	6.50	165	1.50	38	7.50	190	4.21	107	13	5.9	200	299	34	368	42
2"	7.00	178	1.97	50	7.50	190	4.41	112	24	10.9	320	371	42	460	52
2-1/2"	7.50	190	2.48	63	10.45	265	5.91	150	30	13.6	450	598	68	728	82
3"	8.00	203	2.99	76	11.80	300	6.30	160	38	17.4	600	988	112	1209	137
4"	9.00	229	3.94	100	15.75	400	8.03	204	69	31.5	1650	1508	171	1846	209
6"	15.50	394	5.91	150	31.50	800	10.85	275	161	73.6	2600	4160	470	5200	5888

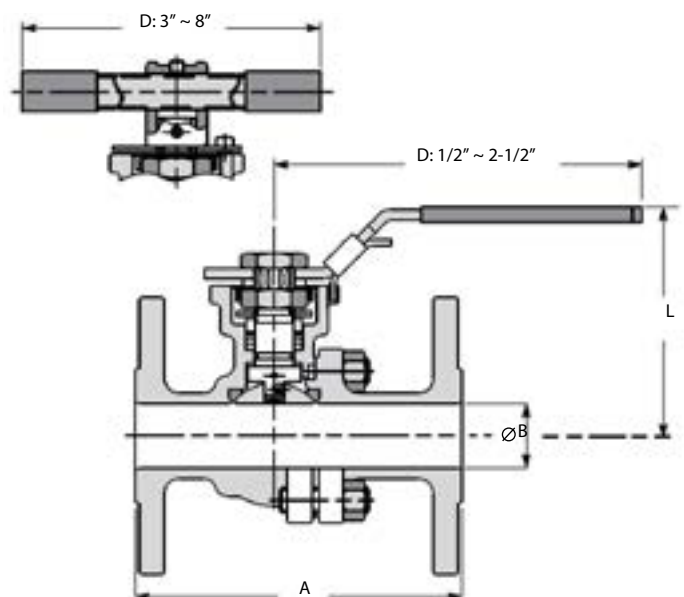
B41C - PRESSURE/TEMPERATURE CHART



Class 150

Note: Maximum pressure & temperature is limited to the seat material rating

* At full differential pressure for clean fluids



Series B41C Ball Valve

ANSI Class 150 Flanged, Fire-Safe Ball Valve
 Sizes 1/2" ~ 8"



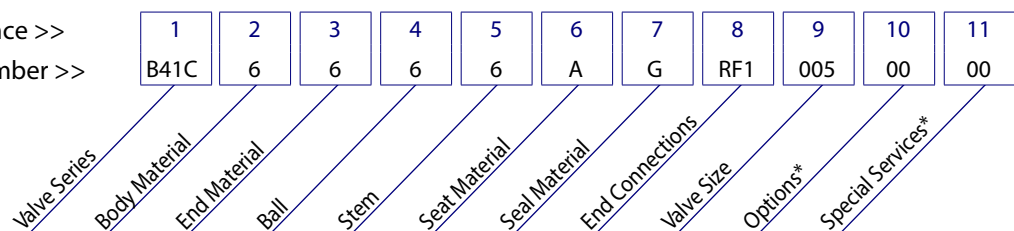
How To Order Guide (Columns 1 thru 11)

1 SERIES	2 BODY	3 ENDS	4 BALL	5 STEM	6 SEAT MATERIAL	7 BODY/STEM SEAL	8 END CONNECTIONS	9 VALVE SIZE	10 OPTIONS*	11 SPECIAL SERVICES*
B41C	4 = Carbon Steel ASTM A216 WCB 6 = 316 Stainless Steel ASTM A351 CF8M	4 = Carbon Steel ASTM A216 WCB 6 = 316L Stainless Steel ASTM A351 CF8M	6 = 316 Stainless Steel ASTM A351 CF8M	6 = 316 Stainless Steel SUS 316	A = TFM1600™ S = SupraLon™	T = PTFE G = Grafoil	RF1 = 150# Flanged Ends (Raised Face)	005 = 1/2" 007 = 3/4" 010 = 1" 015 = 1-1/2" 020 = 2" 030 = 3" 040 = 4" 060 = 6" 080 = 8"	00 = None SX = ISO Cast Stem Extension	00 = None XC = Oxygen Cleaned SF = Degreased (Silicone Free) UH = Vent/Relief Hole ¹

Order Example: (B41C6666AGRF10150000) The Part Number will contain 20 digits.

Ordering Code Sequence >>

Sample Part Number >>



¹ Vent Hole is on the Upstream Side

*Not all Options or Special Services available on all ball valves. Consult SVF for additional information.