



Magnetic proximity sensors

MAGNETIC PROXIMITY SENSORS WITH MAXIMUM OPERATING DISTANCES AND A MINIMAL DESIGN

Proximity sensors

SICK
Sensor Intelligence.

PRODUCT FAMILY OVERVIEW



MQ

Magnetic proximity sensors in a rectangular housing

Technical data overview



Housing	Rectangular
Thread size	-
Housing	10 mm x 16 mm x 28 mm
Sensing range S_n	≤ 60 mm
Housing material	VISTAL™
Enclosure rating	IP 67, IP 68
Connection	Connector M8, 3-pin / Cable, 3-wire / Cable with connector M12, 3-pin

At a glance

- Type: 10 mm x 28 mm x 16 mm
- Sensing ranges: up to 60 mm
- Electrical configuration: DC, 3-wire
- Enclosure rating: IP 67, IP 68
- Temperature range: -25 °C to +75 °C
- Tough VISTAL™ housing
- Reliable detection of permanent magnets through non-ferromagnetic materials such as stainless steel, aluminum, plastic or wood
- Solves high-temperature applications by installing the permanent magnet in the high-temperature area and the sensor behind an insulated area

Detailed information

→ 6

 <p style="text-align: center;">MM</p>	 <p style="text-align: center;">MM Namur</p>
<p>Magnetic proximity sensors in common M8, M12, and M18 cylindrical housing</p>	<p>NAMUR magnetic proximity sensors in a cylindrical housing for explosive areas</p>

<p>Cylindrical thread design</p>	<p>Cylindrical thread design</p>
<p>M8 x 1 M12 x 1 M18 x 1</p>	<p>M12 x 1 M18 x 1</p>
<p>- ≤ 120 mm</p>	<p>- ≤ 120 mm</p>
<p>Nickel-plated brass IP 67</p>	<p>Nickel-plated brass / Stainless steel V4A (1.4404, 316L) IP 67</p>
<p>Connector M8, 3-pin / Cable, 3-wire / M12, 4-pin male connector</p>	<p>M12, 4-pin male connector / Cable, 2-wire / Cable with connector M9, 5-pin, with knurled nuts</p>

<ul style="list-style-type: none"> • Types: M8 to M18 • Sensing range: up to 120 mm • Electrical configuration: DC 3-wire • Enclosure rating: IP 67 • Temperature range: -25 °C to +75 °C • Nickel-plated brass housing; plastic sensing face • Reliable detection of permanent magnets through non-ferromagnetic materials such as stainless steel, aluminum, plastic or wood • Solves high-temperature applications by installing the permanent magnet in the high-temperature area and the sensor behind an insulated area 	<ul style="list-style-type: none"> • Types: M12 to M18 • Sensing range: up to 120 mm • Electrical configuration: NAMUR • Enclosure rating: IP 67 • Temperature range: -25 °C to +70 °C • Nickel-plated brass housing; plastic sensing face • Reliable detection of permanent magnets through non-ferromagnetic materials such as stainless steel, aluminum, plastic or wood • NAMUR design for usage in explosion-hazardous areas
<p style="text-align: center;">→ 10</p>	<p style="text-align: center;">→ 16</p>

OVERVIEW OF MAGNETIC PROXIMITY SENSORS

Product			Housing								
			Design		Size				Material		
			Cylindrical thread design	Rectangular	M8	M12	M18	10.3 mm x 37 mm x 16 mm	Nickel plated brass	Stainless steel	VISTAL™
Magnetic proximity sensors											
	MQ	MQ10		■				■			■
	MM	MM08	■		■				■		
		MM12	■			■			■		
		MM18	■					■		■	
	MM Namur	MM12 Namur	■			■			■		
		MM18 Namur	■					■		■	

Sensor properties		Application			Sensing range S _n						Page
DC 3-wire	NAMUR output	Factory automation	Explosion-hazardous areas	Object detection behind surfaces	20	40	60	80	100	120	
■		■		■	60 mm						→ 6
■		■		■	60 mm						→ 10
■		■		■	90 mm						→ 10
■		■		■	120 mm						→ 10
	■		■	■	90 mm						→ 16
	■		■	■	120 mm						→ 16

MAGNETIC PROXIMITY SENSORS IN A RECTANGULAR HOUSING



Additional information

Detailed technical data	7
Ordering information	8
Dimensional drawings	8
Connection diagram	8
Maximum sensing range	8
Installation notes	9
Recommended accessories	22

Product description

The MQ magnetic proximity sensors reliably detect permanent magnets through non-magnetic materials such as stainless steel, aluminum, plastic or wood. The MQ sensors feature a square,

compact plastic housing that makes them easy to install. These sensors are resistant to dust, heat and vibration, making them ideal for use in harsh environments.

At a glance

- Type: 10 mm x 28 mm x 16 mm
- Sensing ranges: up to 60 mm
- Electrical configuration: DC, 3-wire
- Enclosure rating: IP 67, IP 68
- Temperature range: -25 °C to +75 °C
- Tough VISTAL™ housing
- Reliable detection of permanent magnets through non-ferromagnetic materials such as stainless steel, aluminum, plastic or wood
- Solves high-temperature applications by installing the permanent magnet in the high-temperature area and the sensor behind an insulated area

Your benefits

- Short-circuit protection (pulsed)
- Large sensing ranges ensure reliable switching, even with target position tolerances
- Low-cost sensor solution saves installation time and costs
- Compact plastic housing makes machine integration easy

→ www.sick.com/MQ

For more information, simply enter the link or scan the QR code and get direct access to technical data, CAD design models, operating instructions, software, application examples, and much more.



Detailed technical data

Features

Housing	Rectangular
Dimensions (W x H x D)	10 mm x 16 mm x 28 mm
Sensing range S_n¹⁾	0 mm ... 60 mm
Safe sensing range S_a	48.6 mm
Magnetic sensitivity	≤ 1 mT
Switching frequency	1,000 Hz
Output type	PNP / NPN (depending on type)
Output function	NO
Electrical wiring	DC 3-wire
Enclosure rating²⁾	IP 67, IP 68

¹⁾ Sensing range based on installation in non-magnetic material using Magnet MAG-3010-B (M4.0)

²⁾ According to EN 60529.

Mechanics/electronics

Supply voltage	10 V DC ... 30 V DC
Ripple¹⁾	≤ 10 %
Voltage drop²⁾	≤ 1.5 V
Current consumption³⁾	≤ 5 mA
Time delay before availability	≤ 26 ms
Hysteresis	1 % ... 10 %
Repeatability⁴⁾	≤ 1 %
Temperature drift (of S_n)	± 10 %
EMC	According to EN 60947-5-2
Continuous current I_a	≤ 200 mA
Connection type	Male connector, M8 Cable, 2 m, PUR/PVC ⁵⁾ Cable with male connector, M12, 1 m, PUR/PVC ⁵⁾ (depending on type)
Short-circuit protection	✓
Reverse polarity protection	✓
Power-up pulse protection	✓
Shock and vibration resistance	30 g, 11 ms / 10 ... 55 Hz, 1 mm
Ambient operating temperature	-25 °C ... +75 °C
Housing material	VISTAL™
Sensing face material	Plastic, VISTAL™

¹⁾ Of V_s .

²⁾ At I_a max.

³⁾ Without load.

⁴⁾ Von Sr (VS und Ta constant)

⁵⁾ Do not bend below 0 °C.

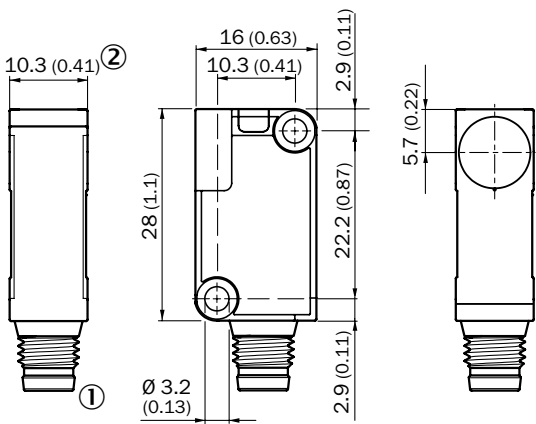
Ordering information

Other models → www.sick.com/MQ

Sensing range S_n	Output function	Output type	Connection	Connection diagram	Type	Part no.
≤ 60 mm	NO	PNP	Connector M8, 3-pin	Cd-002	MQ10-60APSKT0	1078008
			Cable, 3-wire, 2 m, PUR	Cd-001	MQ10-60APSKU0	1078006
			Cable with connector M12, 3-pin, 1 m, PUR	Cd-002	MQ10-60AP-SKQDS01	1078005
		NPN	Connector M8, 3-pin	Cd-002	MQ10-60ANSKT0	1078009
			Cable, 3-wire, 2 m, PUR	Cd-001	MQ10-60ANSKU0	1078007

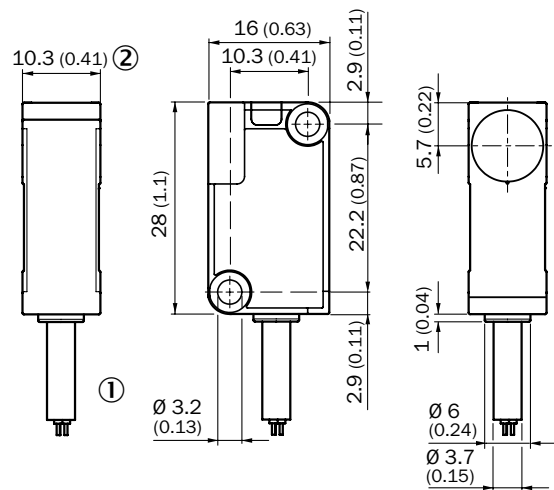
Dimensional drawings (Dimensions in mm (inch))

MQ10, connector



- ① Connection
- ② LED indicator 270°

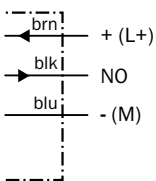
MQ10, cable



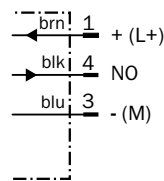
- ① Connection
- ② LED indicator 270°

Connection diagram

Cd-001

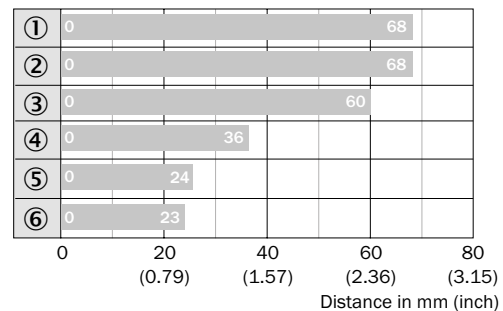


Cd-002



Maximum sensing range

MMxx-60Axx-xxx



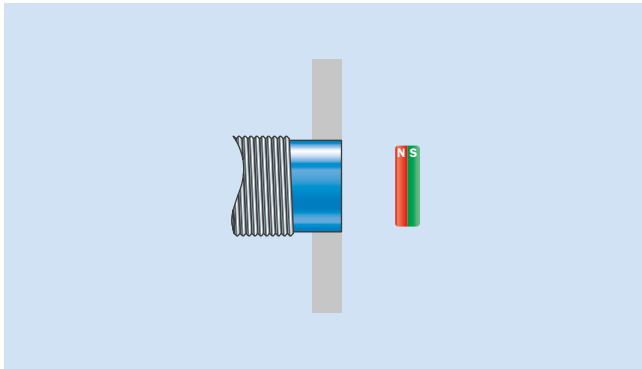
■ Max. sensing range S_n , flush or non-flush installation, non-magnetizable material

Magnet type	Part no.
① MAG-3315-B (M 5.1)	7902086
② MAG-3015-B (M 5.0)	7901786
③ MAG-3010-B (M 4.0)	7901785
④ MAG-2006-B (M 3.0)	7901784
⑤ MAG-0625-A (M 2.0)	7901783
⑥ MAG-1003-S (M 1.0)	7901782

Installation notes

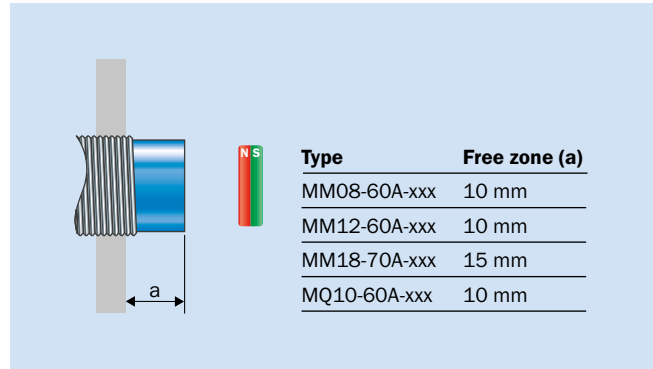
Flush sensor installation

Magnetic proximity sensors can be installed flush in all materials and metals with affecting the sensing range with the exception of magnetizable materials.



Non-flush sensor installation

The table shows how much the proximity sensor must protrude when installed in magnetic materials to prevent a reduction in the sensing range by more than 5%. Measurement standard MAG-3010-B (M 4.0).



MAGNETIC PROXIMITY SENSORS IN COMMON M8, M12, AND M18 CYLINDRICAL HOUSING



Additional information

Detailed technical data	11
Ordering information	12
Dimensional drawings	13
Connection diagram	14
Maximum sensing range	14
Installation notes	15
Recommended accessories	22

Product description

MM magnetic proximity sensors provide long sensing ranges that can reliably detect magnetic objects. Magnetic proximity sensors are resistant to dust, heat, vibrations and other harsh environ-

ments. The MM magnetic sensors are enclosed in a cylindrical housing and are available in sizes MM08, MM12 and MM18.

At a glance

- Types: M8 to M18
- Sensing range: up to 120 mm
- Electrical configuration: DC 3-wire
- Enclosure rating: IP 67
- Temperature range: -25 °C to +75 °C
- Nickel-plated brass housing; plastic sensing face
- Reliable detection of permanent magnets through non-ferromagnetic materials such as stainless steel, aluminum, plastic or wood
- Solves high-temperature applications by installing the permanent magnet in the high-temperature area and the sensor behind an insulated area

Your benefits

- Non-contact operation eliminates interference from dirt, dust and vibrations, increasing sensor life and reducing maintenance costs
- Space-saving installation due to small design
- Large operating ranges with reliable switching increase throughput
- Non-contact, universal detection through several substances, including plastic containers and pipes protective PTFE walls and non-magnetic metal walls

→ www.sick.com/MM

For more information, simply enter the link or scan the QR code and get direct access to technical data, CAD design models, operating instructions, software, application examples, and much more.



Detailed technical data

Features

	Standard sensing range			Extended sensing range	
	MM08	MM12	MM18	MM12	MM18
Housing	Cylindrical thread design				
Thread size	M8 x 1	M12 x 1	M18 x 1	M12 x 1	M18 x 1
Sensing range S_n¹⁾	0 mm ... 60 mm		0 mm ... 70 mm	5 mm ... 90 mm	0 mm ... 120 mm
Safe sensing range S_a	48.6 mm		56.7 mm	72.9 mm	97.2 mm
Magnetic sensitivity	1 mT		0.7 mT	0.6 mT	0.4 mT
Switching frequency	1,000 Hz			5,000 Hz	1,000 Hz
Output type	PNP / NPN (depending on type)				PNP
Output function	NO	NO / NC (depending on type)		NO	
Electrical wiring	DC 3-wire				
Magnetic alignment	Axial				
Enclosure rating²⁾	IP 67				

¹⁾ Sensing range based on installation in non-magnetic material using Magnet MAG-3010-B (M4.0)

²⁾ According to EN 60529.

Mechanics/electronics

	Standard sensing range			Extended sensing range	
	MM08	MM12	MM18	MM12	MM18
Supply voltage	10 V DC ... 30 V DC				
Ripple¹⁾	≤ 10 %				
Voltage drop²⁾	≤ 2 V			≤ 1.5 V	≤ 2 V
Current consumption	≤ 10 mA ³⁾				
Time delay before availability	≤ 20 ms			≤ 2 ms	≤ 100 ms
Hysteresis	1 % ... 10 %				1 % ... 20 %
Repeatability⁴⁾	≤ 1 %				
Temperature drift (of S_s)	± 10 %				
EMC	According to EN 60947-5-2				
Continuous current I_a	≤ 200 mA			≤ 300 mA	≤ 200 mA
Connection type	Male connector, M8 Cable, 2 m, PUR ⁵⁾ (depending on type)	Male connector, M12 Cable, 2 m, PUR ⁵⁾ (depending on type)			
Short-circuit protection⁶⁾	✓				
Reverse polarity protection	✓				
Power-up pulse protection	✓				
Shock and vibration resistance	30 g, 11 ms / 10 ... 55 Hz, 1 mm				
Ambient operating temperature	-25 °C ... +75 °C				
Housing material	Nickel-plated brass				
Tightening torque, max.	6 Nm	15 Nm	40 Nm	7 Nm	40 Nm
Items supplied	Fastening nuts (Metal, 2 x)				

¹⁾ Of V_s .

²⁾ At I_a max.

³⁾ Without load.

⁴⁾ Von Sr (VS und Ta constant)

⁵⁾ Do not bend below 0 °C.

⁶⁾ Pulsed.

Ordering information

Other models → www.sick.com/MM

MM08, standard sensing range

- **Magnetic sensitivity:** 1 mT

Sensing range S_n	Output function	Output type	Connection	Connection diagram	Type	Part no.
0 mm ... 60 mm	NO	PNP	Connector M8, 3-pin	Cd-002	MM08-60APS-ZTK	1040067
			Cable, 3-wire, 2 m, PUR	Cd-001	MM08-60APS-ZUK	1040027
		NPN	Connector M8, 3-pin	Cd-002	MM08-60ANS-ZTK	1040068
			Cable, 3-wire, 2 m, PUR	Cd-001	MM08-60ANS-ZUK	1040066

MM12, standard sensing range

- **Magnetic sensitivity:** 1 mT

Sensing range S_n	Output function	Output type	Connection	Connection diagram	Type	Part no.
0 mm ... 60 mm	NO	PNP	M12, 4-pin male connector	Cd-011	MM12-60APS-ZCK	1040070
			Cable, 3-wire, 2 m, PUR	Cd-002	MM12-60APS-ZUK	1040069
		NPN	M12, 4-pin male connector	Cd-011	MM12-60ANS-ZCK	1040071
			Cable, 3-wire, 2 m, PUR	Cd-002	MM12-60ANS-ZUK	1040026
	NC	PNP	Cable, 3-wire, 2 m, PUR	Cd-003	MM12-60APO-ZUK	1040065

MM18, standard sensing range

- **Magnetic sensitivity:** 0.7 mT

Sensing range S_n	Output function	Output type	Connection	Connection diagram	Type	Part no.
0 mm ... 70 mm	NO	PNP	M12, 4-pin male connector	Cd-011	MM18-70APS-ZCK	1040072
			Cable, 3-wire, 2 m, PUR	Cd-001	MM18-70APS-ZUK	1040029
		NPN	M12, 4-pin male connector	Cd-011	MM18-70ANS-ZCK	1040073
			Cable, 3-wire, 2 m, PUR	Cd-001	MM18-70ANS-ZUK	1040085
	NC	PNP	M12, 4-pin male connector	Cd-279	MM18-70APO-ZCK	1047255

MM12, extended sensing range

- **Magnetic sensitivity:** 0.6 mT

Sensing range S_n	Output function	Output type	Connection	Connection diagram	Type	Part no.
5 mm ... 90 mm	NO	PNP	M12, 4-pin male connector	Cd-011	MM12-90APS-ZCO	1029950
			Cable, 3-wire, 2 m, PUR	Cd-001	MM12-90APS-ZUO	1029951
		NPN	Cable, 3-wire, 2 m, PUR	Cd-001	MM12-90ANS-ZUO	1051013

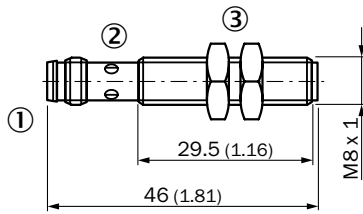
MM18, extended sensing range

- **Magnetic sensitivity:** 0.4 mT

Sensing range S_n	Output function	Output type	Connection	Connection diagram	Type	Part no.
0 mm ... 120 mm	NO	PNP	M12, 4-pin male connector	Cd-011	MM18-00APS-ZCK	1076085
			Cable, 3-wire, 2 m, PUR	Cd-001	MM18-00APS-ZUK	1077120

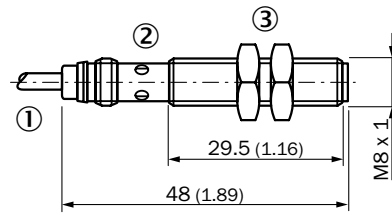
Dimensional drawings (Dimensions in mm (inch))

MM08, connector, standard sensing range



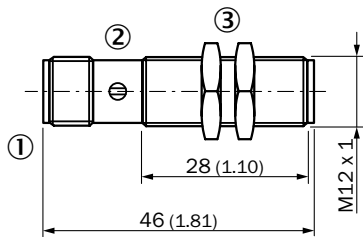
- ① Connection
- ② Indication LED
- ③ Fastening nuts (2 x); width across 13, plastic

MM08, cable, standard sensing range



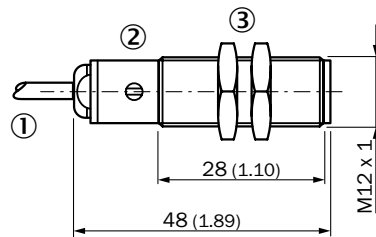
- ① Connection
- ② Indication LED
- ③ Fastening nuts (2 x); width across 13, plastic

MM12, connector, standard sensing range



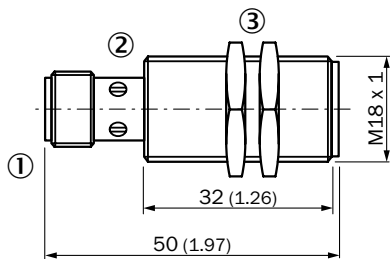
- ① Connection
- ② Indication LED
- ③ Fastening nuts (2x); width across 17, metal

MM12, cable, standard sensing range



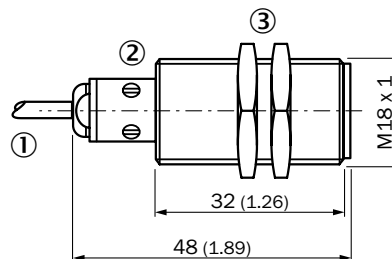
- ① Connection
- ② Indication LED
- ③ Fastening nuts (2x); width across 17, metal

MM18, connector, standard / extended sensing range



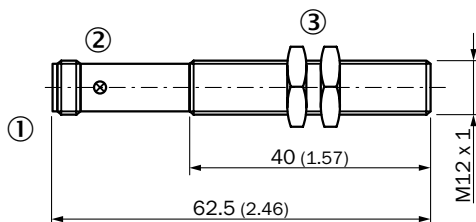
- ① Connection
- ② Indication LED
- ③ Fastening nuts (2x); width across 17, metal

MM18, cable, standard / extended sensing range



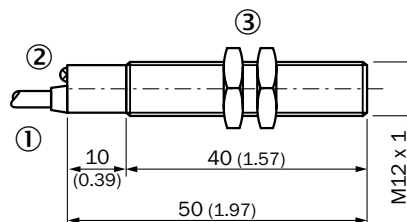
- ① Connection
- ② Indication LED
- ③ Fastening nuts (2x); width across 17, metal

MM12, connector, extended sensing range



- ① Connection
- ② Indication LED
- ③ Fastening nuts (2x); width across 17, metal

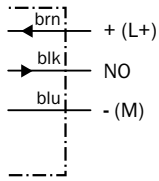
MM12, cable, extended sensing range



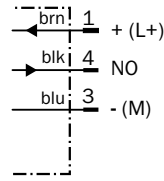
- ① Connection
- ② Indication LED
- ③ Fastening nut; 24 mm hex, metal

Connection diagram

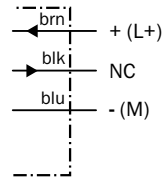
Cd-001



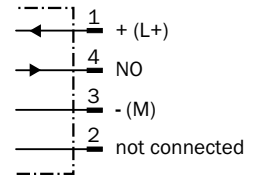
Cd-002



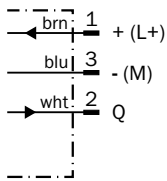
Cd-003



Cd-011

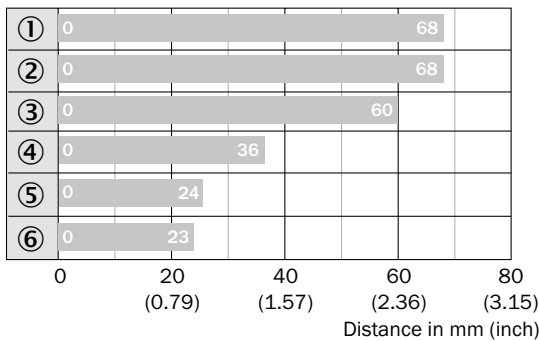


Cd-279



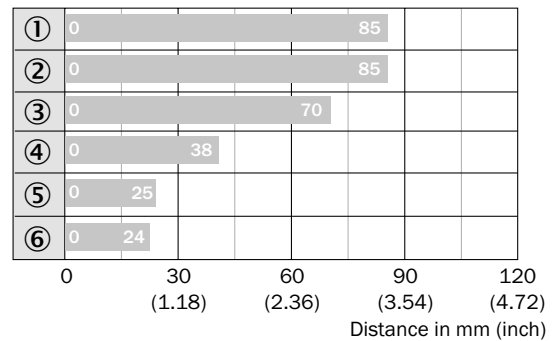
Maximum sensing range

MMxx-60Axx-xxx



Max. sensing range S_n, flush or non-flush installation, non-magnetizable material

MMxx-70Axx-xxx



Max. sensing range S_n, flush or non-flush installation, non-magnetizable material

Magnet type

Part no.

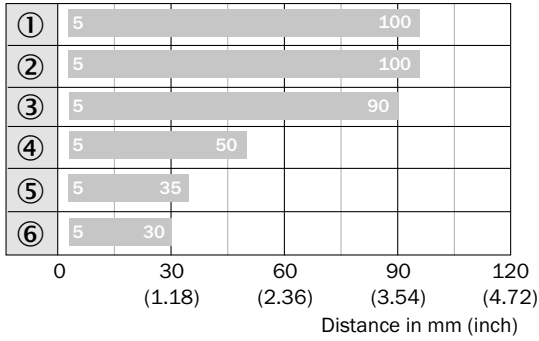
①	MAG-3315-B (M 5.1)	7902086
②	MAG-3015-B (M 5.0)	7901786
③	MAG-3010-B (M 4.0)	7901785
④	MAG-2006-B (M 3.0)	7901784
⑤	MAG-0625-A (M 2.0)	7901783
⑥	MAG-1003-S (M 1.0)	7901782

Magnet type

Part no.

①	MAG-3315-B (M 5.1)	7902086
②	MAG-3015-B (M 5.0)	7901786
③	MAG-3010-B (M 4.0)	7901785
④	MAG-2006-B (M 3.0)	7901784
⑤	MAG-0625-A (M 2.0)	7901783
⑥	MAG-1003-S (M 1.0)	7901782

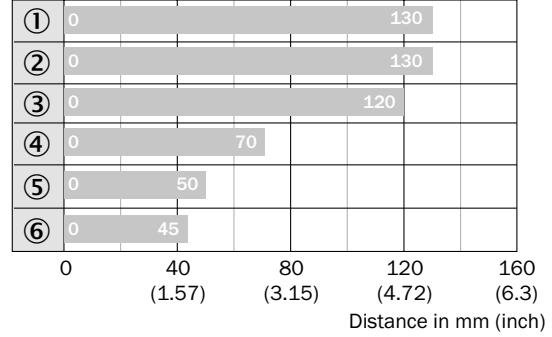
MMxx-90Axx-xxx



■ Max. sensing range S_n, flush or non-flush installation, non-magnetizable material

Magnet type	Part no.
① MAG-3315-B (M 5.1)	7902086
② MAG-3015-B (M 5.0)	7901786
③ MAG-3010-B (M 4.0)	7901785
④ MAG-2006-B (M 3.0)	7901784
⑤ MAG-0625-A (M 2.0)	7901783
⑥ MAG-1003-S (M 1.0)	7901782

MMxx-00Axx-xxx



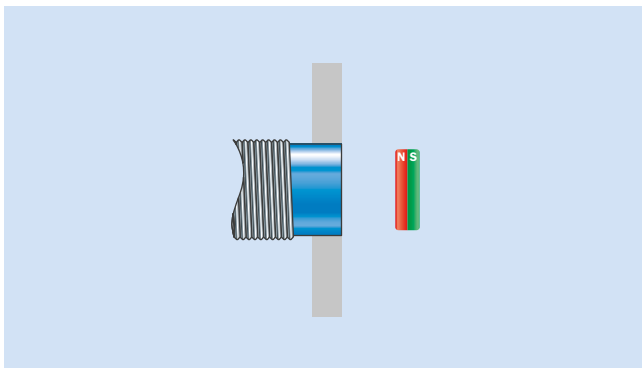
■ Max. sensing range S_n, flush or non-flush installation, non-magnetizable material

Magnet type	Part no.
① MAG-3315-B (M 5.1)	7902086
② MAG-3015-B (M 5.0)	7901786
③ MAG-3010-B (M 4.0)	7901785
④ MAG-2006-B (M 3.0)	7901784
⑤ MAG-0625-A (M 2.0)	7901783
⑥ MAG-1003-S (M 1.0)	7901782

Installation notes

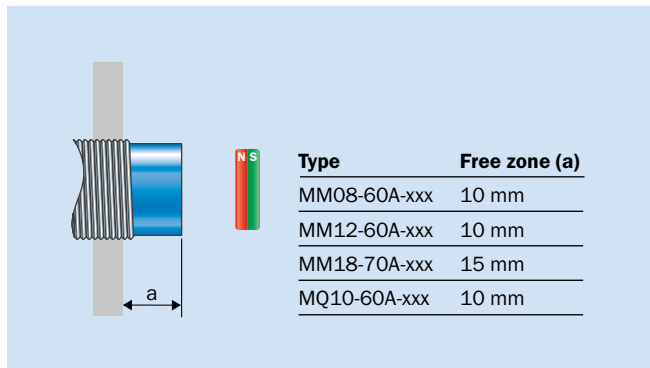
Flush sensor installation

Magnetic proximity sensors can be installed flush in all materials and metals with affecting the sensing range with the exception of magnetizable materials.



Non-flush sensor installation

The table shows how much the proximity sensor must protrude when installed in magnetic materials to prevent a reduction in the sensing range by more than 5%. Measurement standard MAG-3010-B (M 4.0).



NAMUR MAGNETIC PROXIMITY SENSORS IN A CYLINDRICAL HOUSING FOR EXPLOSIVE AREAS



Additional information

Detailed technical data	17
Ordering information	18
Dimensional drawings	18
Connection diagram	19
Maximum sensing range	19
Installation notes	20
Recommended accessories	22

Product description

MM NAMUR magnetic proximity sensors provide large operating distances that can reliably detect magnetic objects. Magnetic proximity sensors are resistant to dust, heat and vibration, making them ideal for use in harsh environments –

even highly explosive atmospheres. By using magnetic conductors, these sensors are able to reliably detect objects over greater distances. The NAMUR design for hazardous areas is available in MM12 and MM18 designs.

At a glance

- Types: M12 to M18
- Sensing range: up to 120 mm
- Electrical configuration: NAMUR
- Enclosure rating: IP 67
- Temperature range: -25 °C to +70 °C
- Nickel-plated brass housing; plastic sensing face
- Reliable detection of permanent magnets through non-ferromagnetic materials such as stainless steel, aluminum, plastic or wood
- NAMUR design for usage in explosion-hazardous areas

Your benefits

- NAMUR version ensures safe function in explosion-hazardous areas
- Non-contact operation eliminates interference from dirt, dust and vibrations, increasing sensor life and reducing maintenance costs
- Large sensing ranges ensure reliable switching, even with target position tolerances
- Universal use since detection through other objects, such as plastic walls or non-magnetic stainless steel walls, is also possible

→ www.sick.com/MM_Namur

For more information, simply enter the link or scan the QR code and get direct access to technical data, CAD design models, operating instructions, software, application examples, and much more.



Detailed technical data

Features

	MM12 NAMUR	MM18 NAMUR
Housing	Cylindrical thread design	
Thread size	M12 x 1	M18 x 1
Sensing range S_n ¹⁾	5 mm ... 60 mm / 5 mm ... 90 mm (depending on type)	5 mm ... 70 mm / 5 mm ... 120 mm (depending on type)
Safe sensing range S_a	48.6 mm / 72.9 mm (depending on type)	56.7 mm / 97.2 mm (depending on type)
Magnetic sensitivity	≤ 1 mT / ≤ 0.6 mT (depending on type)	0.7 mT / ≤ 0.4 mT (depending on type)
Switching frequency	5,000 Hz	
Output type	NAMUR	
Output characteristic	According NAMUR EN 60947-5-6. Using of isolated switch amplifier with certificates of conformity for explosion areas is recommended ($U \leq 20$ V, $I \leq 60$ mA, $P \leq 100$ mW)	
Magnetic alignment	Axial	
Enclosure rating ²⁾	IP 67	

¹⁾ Sensing range based on installation in non-magnetic material using Magnet MAG-3010-B (M4.0)

²⁾ According to EN 60529.

Mechanics/electronics

	MM12 NAMUR	MM18 NAMUR
Ripple ¹⁾	≤ 5 %	
Time delay before availability	≤ 2 ms	
Hysteresis	1 % ... 10 %	
Repeatability ²⁾	≤ 1 %	
Temperature drift (of S_n)	± 10 %	
EMC	According to EN 60947-5-2	
Current consumption, sensor is activated	≥ 2.5 mA	
Current consumption, sensor is not activated	≤ 1 mA	
Connection type	Male connector, M12 Cable, 2 m, PVC ³⁾ Cable with male connector, 0.8 m, PUR (depending on type)	Male connector, M12 Cable, 2 m, PVC ³⁾ (depending on type)
Wire-break protection	✓	
Short-circuit protection	✓	
Reverse polarity protection	✓	
Shock and vibration resistance	30 g, 11 ms / 10 ... 55 Hz, 1 mm	
Ambient operating temperature	-25 °C ... $+70$ °C	
Housing material	Nickel-plated brass	
Tightening torque, max.	≤ 7 Nm	≤ 25 Nm
Items supplied	Fastening nuts (2 x)	
EC Approval Certificate	TÜV 99 ATEX 1398	
ATEX marking	EX II 2G Ex ib IIC T6 Gb Ta: -25 °C ... $+70$ °C	
Ex area category	2G	
Input voltage U_i max. ⁴⁾	16 V	
Input power P_i max. ⁴⁾	100 mW	
Input current I_i max. ⁴⁾	30 mA	
Internal capacitance C_i max. ⁴⁾	15 nF	
Internal inductance L_i max. ⁴⁾	35 μ H	

	MM12 NAMUR	MM18 NAMUR
Nominal voltage	8.2 V DC (with isolating amplifier - available accessory)	

¹⁾ Of V_s .

²⁾ Von Sr (VS und Ta constant)

³⁾ Do not bend below 0 °C.

⁴⁾ For connection to a separately certified intrinsically safe circuit only.

Ordering information

Other models → www.sick.com/MM_Namur

MM12 NAMUR

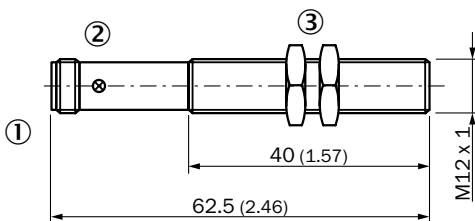
Sensing range S_n	Magnetic sensitivity	Connection	Connection diagram	Type	Part no.
≤ 60 mm	≤ 1 mT	M12, 4-pin male connector	Cd-015	MM12-60A-N-ZC0	7900287
		Cable, 2-wire, 2 m, PVC	Cd-012	MM12-60A-N-ZW0	7900286
≤ 90 mm	≤ 0,6 mT	Cable with connector M9, 5-pin, with knurled nuts, 0.8 m, PUR	Cd-012	MM12-90A-N-ZUD	1046761

MM18 NAMUR

Sensing range S_n	Magnetic sensitivity	Connection	Connection diagram	Type	Part no.
≤ 70 mm	≤ 0,7 mT	M12, 4-pin male connector	Cd-015	MM18-70A-N-ZC0	7900289
		Cable, 2-wire, 2 m, PVC	Cd-012	MM18-70A-N-ZW0	7900288
≤ 120 mm	≤ 0,4 mT	M12, 4-pin male connector	Cd-015	MM18-00A-N-ZC0	1026614

Dimensional drawings (Dimensions in mm (inch))

MM12 Namur, connector

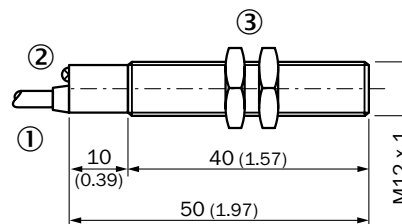


① Connection

② Indication LED

③ Fastening nuts (2x); width across 17, metal

MM12 Namur, cable

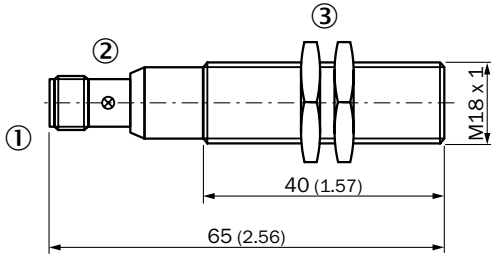


① Connection

② Indication LED

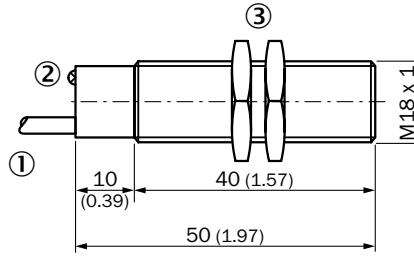
③ Fastening nuts (2x); width across 17, metal

MM18 Namur, connector



- ① Connection
- ② Indication LED
- ③ Fastening nuts (2x); width across 17, metal

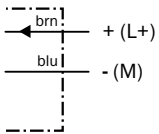
MM18 Namur, cable



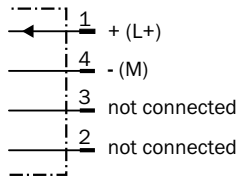
- ① Connection
- ② Indication LED
- ③ Fastening nuts (2x); width across 17, metal

Connection diagram

Cd-012



Cd-015



Maximum sensing range

MMxx-60Axx-xxx

①	5	68
②	5	68
③	5	60
④	5	36
⑤	5	24
⑥	5	23

0 30 60 90 120
(1.18) (2.36) (3.54) (4.72)
Distance in mm (inch)

■ Max. sensing range S_n , flush or non-flush installation, non-magnetizable material

Magnet type	Part no.
① MAG-3315-B (M 5.1)	7902086
② MAG-3015-B (M 5.0)	7901786
③ MAG-3010-B (M 4.0)	7901785
④ MAG-2006-B (M 3.0)	7901784
⑤ MAG-0625-A (M 2.0)	7901783
⑥ MAG-1003-S (M 1.0)	7901782

MMxx-90Axx-xxx

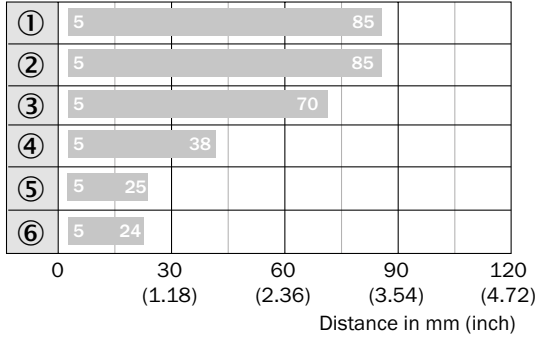
①	5	100
②	5	100
③	5	90
④	5	50
⑤	5	35
⑥	5	30

0 30 60 90 120
(1.18) (2.36) (3.54) (4.72)
Distance in mm (inch)

■ Max. sensing range S_n , flush or non-flush installation, non-magnetizable material

Magnet type	Part no.
① MAG-3315-B (M 5.1)	7902086
② MAG-3015-B (M 5.0)	7901786
③ MAG-3010-B (M 4.0)	7901785
④ MAG-2006-B (M 3.0)	7901784
⑤ MAG-0625-A (M 2.0)	7901783
⑥ MAG-1003-S (M 1.0)	7901782

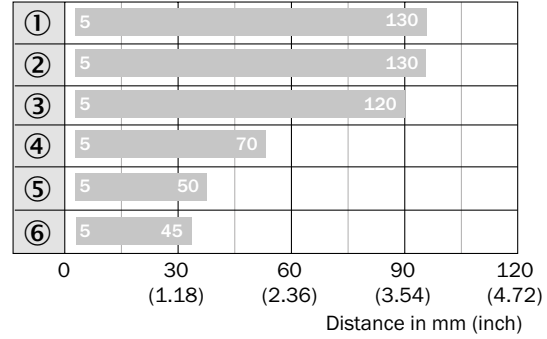
MMxx-70Axx-xxx



■ Max. sensing range S_n , flush or non-flush installation, non-magnetizable material

Magnet type	Part no.
① MAG-3315-B (M 5.1)	7902086
② MAG-3015-B (M 5.0)	7901786
③ MAG-3010-B (M 4.0)	7901785
④ MAG-2006-B (M 3.0)	7901784
⑤ MAG-0625-A (M 2.0)	7901783
⑥ MAG-1003-S (M 1.0)	7901782

MMxx-00Axx-xxx



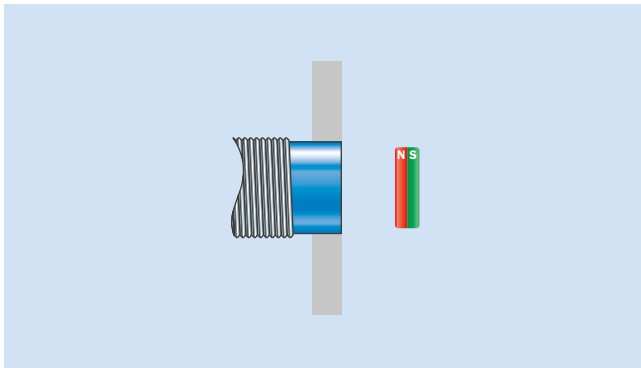
■ Max. sensing range S_n , flush or non-flush installation, non-magnetizable material

Magnet type	Part no.
① MAG-3315-B (M 5.1)	7902086
② MAG-3015-B (M 5.0)	7901786
③ MAG-3010-B (M 4.0)	7901785
④ MAG-2006-B (M 3.0)	7901784
⑤ MAG-0625-A (M 2.0)	7901783
⑥ MAG-1003-S (M 1.0)	7901782

Installation notes

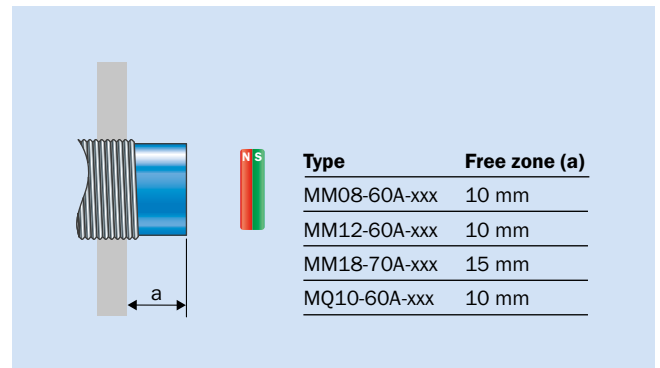
Flush sensor installation

Magnetic proximity sensors can be installed flush in all materials and metals with affecting the sensing range with the exception of magnetizable materials.



Non-flush sensor installation







The table shows how much the proximity sensor must protrude when installed in magnetic materials to prevent a reduction in the sensing range by more than 5%. Measurement standard MAG-3010-B (M 4.0).



Accessories

Mounting systems

Mounting brackets and plates

Figure	Description	Material	Type	Part no.
	Mounting plate for M8 sensors	Steel, zinc coated	BEF-WG-M08	5321722
	Mounting bracket for M8 sensors		BEF-WN-M08	5321721
	Mounting plate for M12 sensors		BEF-WG-M12	5321869
	Mounting bracket for M12 sensors		BEF-WN-M12	5308447
	Mounting plate for M18 sensors		BEF-WG-M18	5321870
	Mounting bracket for M18 sensors		BEF-WN-M18	5308446







Universal bar clamp systems

Figure	Description	Material	Type	Part no.
	Plate N05 for universal clamp bracket, M12	Zinc plated steel (sheet), Zinc die cast (clamping bracket)	BEF-KHS-N05	2051611
	Plate N05N for universal clamp bracket, M12	Stainless steel 1.4571 (sheet), Stainless steel 1.4408 (clamp)	BEF-KHS-N05N	2051621
	Plate N06 for universal clamp bracket, M18	Zinc plated steel (sheet), Zinc die cast (clamping bracket)	BEF-KHS-N06	2051612
	Plate N06N for universal clamp bracket, M18	Stainless steel 1.4571 (sheet), Stainless steel 1.4408 (clamp)	BEF-KHS-N06N	2051622
	Mounting bar, straight, 200 mm, steel	Steel, zinc coated	BEF-MS12G-A	4056054
	Mounting bar, straight, 300 mm, steel		BEF-MS12G-B	4056055
	Mounting bar, straight, 200 mm, stainless steel	Stainless steel (1.4571)	BEF-MS12G-NA	4058914
	Mounting bar, straight, 300 mm, stainless steel		BEF-MS12G-NB	4058915
	Mounting bar, L-shaped, 150 mm x 150 mm, steel	Steel, zinc coated	BEF-MS12L-A	4056052
	Mounting bar, L-shaped, 250 x 250 mm, steel		BEF-MS12L-B	4056053
	Mounting bar, L-shaped, 150 mm x 150 mm, stainless steel	Stainless steel (1.4571)	BEF-MS12L-NA	4058912
	Mounting bar, L-shaped, 250 mm x 250 mm, stainless steel		BEF-MS12L-NB	4058913

Figure	Description	Material	Type	Part no.
	Mounting bar, Z-shaped, 150 mm x 70 mm x 150 mm, steel	Steel, zinc coated	BEF-MS12Z-A	4056056
	Mounting bar, Z-shaped, 150 mm x 70 mm x 250 mm, steel		BEF-MS12Z-B	4056057
	Mounting bar, Z-shaped, 150 mm x 70 mm x 150 mm, stainless steel	Stainless steel (1.4571)	BEF-MS12Z-NA	4058916
	Mounting bar, Z-shaped, 150 mm x 70 mm x 250 mm, stainless steel		BEF-MS12Z-NB	4058917
	Bar clamp for bar diameter of 12 mm (fixing the mounting rod)	Aluminum	BEF-RMC-D12	5321878

Terminal and alignment brackets

Terminal brackets

Figure	Description	Material	Type	Part no.
	Clamping block for round sensors M8, without fixed stop	Plastic (PA12), glass-fiber reinforced	BEF-KH-M08	2051477
	Clamping block for round sensors M12, without fixed stop		BEF-KH-M12	2051479
	Clamping block for round sensors M18, without fixed stop		BEF-KH-M18	2051481
	Clamping block for round sensors M8, with fixed stop		BEF-KHF-M08	2051478
	Clamping block for round sensors M12, with fixed stop		BEF-KHF-M12	2051480
	Clamping block for round sensors M18, with fixed stop		BEF-KHF-M18	2051482

Dimensional drawings → [Seite 28](#)

Further accessories

Magnets



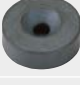





Figure	Description	Dimensions	Diameter	Type	Part no.
	Magnet without mounting hole, Ø 6 mm, height 25 mm	25 mm	6 mm	MAG-0625-A	7901783
	Magnet without mounting hole, Ø 10 mm, height 3 mm	3 mm	10 mm	MAG-1003-S	7901782
	Magnet with mounting hole for M4 countersunk screw, Ø 20 mm, height 6.5 mm	6.5 mm	20 mm	MAG-2006-B	7901784
	Magnet without mounting hole, Ø 30 mm, height 10 mm	10 mm	30 mm	MAG-3010-B	7901785
	Magnet with mounting hole for M5 flat head screw, Ø 31 mm, height 15 mm	15 mm	31 mm	MAG-3015-B	7901786

Figure	Description	Dimensions	Diameter	Type	Part no.
	Magnet with mounting hole for M5 flat head screw, Ø 36 mm, height 19.5 mm	19.5 mm	36 mm	MAG-3515-B	7902086

Connection systems



Modules and gateways

Power supply modules

Figure	Brief description	Type	Part no.
	NAMUR isolating amplifier, Cable fault detection, Switching outputs: 2 NO relay (1 per channel), Supply voltage: 24 V ... 230 V, Voltage type: AC/DC	EN2-2EX1	6041096
	NAMUR isolating amplifier, Cable fault detection, Switching outputs: 2 NO relay (1 per channel), Supply voltage: 19,2 V ... 30 V, Voltage type: DC	EN2-2EX3	6041095



Connecting cables with female connector M8, 3-pin, PVC, chemical resistant

- **Cable material:** PVC
- **Connector material:** TPU
- **Locking nut material:** CuZn, nickel-plated brass

Figure	Connection type head A	Connection type head B	Connecting cable	Type	Part no.
	Female connector, M8, 3-pin, straight, unshielded	Cable, Flying leads	2 m, 3-wire	DOL-0803-G02M	6010785
			5 m, 3-wire	DOL-0803-G05M	6022009
			10 m, 3-wire	DOL-0803-G10M	6022011
			15 m, 3-wire	DOL-0803-G15M	6036472
	Female connector, M8, 3-pin, angled, unshielded	Cable, Flying leads	2 m, 3-wire	DOL-0803-W02M	6008489
			5 m, 3-wire	DOL-0803-W05M	6022010
			10 m, 3-wire	DOL-0803-W10M	6022012
			15 m, 3-wire	DOL-0803-W15M	6036473


Connecting cables with female connector M8, 3-pin, PUR, halogen-free, Oil / grease resistant

- **Cable material:** PUR, halogen-free
- **Connector material:** TPU
- **Locking nut material:** zinc die-cast, nickel-plated

Figure	Connection type head A	Connection type head B	Connecting cable	Type	Part no.
	Female connector, M8, 3-pin, straight, unshielded	Cable, Flying leads	1 m, 3-wire	DOL-0803-G01MC	6036455
			2 m, 3-wire	DOL-0803-G02MC	6025888
			3 m, 3-wire	DOL-0803-G03MC	6038991
			5 m, 3-wire	DOL-0803-G05MC	6025889
			10 m, 3-wire	DOL-0803-G10MC	6025890
			20 m, 3-wire	DOL-0803-G20MC	6036456
	Female connector, M8, 3-pin, angled, unshielded	Cable, Flying leads	2 m, 3-wire	DOL-0803-W02MC	6025891
			5 m, 3-wire	DOL-0803-W05MC	6025892
			10 m, 3-wire	DOL-0803-W10MC	6025893




Connecting cables with female connector M8, 3-pin, PP, hygienic systems

- **Cable material:** PP
- **Connector material:** PP
- **Locking nut material:** stainless steel (V4A/1.4404/316L)

Figure	Connection type head A	Connection type head B	Connecting cable	Type	Part no.
	Female connector, M8, 3-pin, straight, unshielded	Cable, Flying leads	5 m, 3-wire	DOL-0803-G05MN	6033665
			10 m, 3-wire	DOL-0803-G10MN	6033666
	Female connector, M8, 3-pin, angled, unshielded	Cable, Flying leads	2 m, 3-wire	DOL-0803-W02MN	6033667
			5 m, 3-wire	DOL-0803-W05MN	6033668
			10 m, 3-wire	DOL-0803-W10MN	6033669

Connecting cables with female connector M12, 4-pin, PVC, chemical resistant

- **Cable material:** PVC
- **Connector material:** TPU
- **Locking nut material:** CuZn, nickel-plated brass

Figure	Connection type head A	Connection type head B	Connecting cable	Type	Part no.
	Female connector, M12, 4-pin, straight, unshielded	Cable, Flying leads	2 m, 4-wire	DOL-1204-G02M	6009382
			5 m, 4-wire	DOL-1204-G05M	6009866
			10 m, 4-wire	DOL-1204-G10M	6010543
			15 m, 4-wire	DOL-1204-G15M	6010753
			20 m, 4-wire	DOL-1204-G20M	6034401
	Female connector, M12, 4-pin, angled, with 3 LEDs, unshielded	Cable, Flying leads	2 m, 4-wire	DOL-1204-L02M	6027945
			5 m, 4-wire	DOL-1204-L05M	6027944
			10 m, 4-wire	DOL-1204-L10M	6027946
	Female connector, M12, 4-pin, angled, unshielded	Cable, Flying leads	2 m, 4-wire	DOL-1204-W02M	6009383
			5 m, 4-wire	DOL-1204-W05M	6009867
			10 m, 4-wire	DOL-1204-W10M	6010541
			15 m, 4-wire	DOL-1204-W15M	6036474
			20 m, 4-wire	DOL-1204-W20M	6033559

Connecting cables with female connector M12, 4-pin, PUR, halogen-free, Oil / grease resistant

- **Cable material:** PUR, halogen-free
- **Connector material:** TPU
- **Locking nut material:** zinc die-cast, nickel-plated









Figure	Connection type head A	Connection type head B	Connecting cable	Type	Part no.
	Female connector, M12, 4-pin, straight, unshielded	Cable, Flying leads	2 m, 4-wire	DOL-1204-G02MC	6025900
			5 m, 4-wire	DOL-1204-G05MC	6025901
			10 m, 4-wire	DOL-1204-G10MC	6025902
			15 m, 4-wire	DOL-1204-G15MC	6034749
			20 m, 4-wire	DOL-1204-G20MC	6034750
			25 m, 4-wire	DOL-1204-G25MC	6034751
	Female connector, M12, 4-pin, angled, with 3 LEDs, unshielded	Cable, Flying leads	2 m, 4-wire	DOL-1204-L02MC	6039086
			5 m, 4-wire	DOL-1204-L05MC	6020398
			10 m, 4-wire	DOL-1204-L10MC	6039088
	Female connector, M12, 4-pin, angled, unshielded	Cable, Flying leads	2 m, 4-wire	DOL-1204-W02MC	6025903
			5 m, 4-wire	DOL-1204-W05MC	6025904
			10 m, 4-wire	DOL-1204-W10MC	6025905

Figure	Connection type head A	Connection type head B	Connecting cable	Type	Part no.
	Female connector, M12, 4-pin, straight, unshielded	Cable, Flying leads	2 m, 4-wire	DOL-1204G02MC75KM0	2079290
			5 m, 4-wire	DOL-1204G05MC75KM0	2079291
			10 m, 4-wire	DOL-1204G10MC75KM0	2079292
			20 m, 4-wire	DOL-1204G20MC75KM0	2089703
	Female connector, M12, 4-pin, angled, unshielded	Cable, Flying leads	2 m, 4-wire	DOL-1204W02MC75KM0	2079293
			5 m, 4-wire	DOL-1204W05MC75KM0	2079294
			10 m, 4-wire	DOL-1204W10MC75KM0	2079295
			20 m, 4-wire	DOL-1204W20MC75KM0	2089704




Connecting cables with female connector M12, 4-pin, PP, hygienic systems

- **Cable material:** PP
- **Connector material:** PP
- **Locking nut material:** stainless steel (V4A/1.4404)
- **Description:** This product is generally resistant to chemical cleaning agents (see ECOLAB) and other chemical compounds such as H₂O₂ and CH₂O₂. Before permanent installation is carried out, the material's resistance to the cleaning agent being used must be checked.

Figure	Connection type head A	Connection type head B	Connecting cable	Type	Part no.
	Female connector, M12, 4-pin, straight, unshielded	Cable, Flying leads	2 m, 4-wire	DOL-1204-G02MRN	6058291
			5 m, 4-wire	DOL-1204-G05MRN	6058476
			10 m, 4-wire	DOL-1204-G10MRN	6058478
			15 m, 4-wire	DOL-1204-G15MRN	2092884
			25 m, 4-wire	DOL-1204-G25MRN	6058480
	Female connector, M12, 4-pin, angled, with 2 LEDs, unshielded	Cable, Flying leads	2 m, 4-wire	DOL-1204-L02MRN	6058482
			5 m, 4-wire	DOL-1204-L05MRN	6058483
			10 m, 4-wire	DOL-1204-L10MRN	6058484
			25 m, 4-wire	DOL-1204-L25MRN	6058485
	Female connector, M12, 4-pin, angled, unshielded	Cable, Flying leads	2 m, 4-wire	DOL-1204-W02MRN	6058474
			5 m, 4-wire	DOL-1204-W05MRN	6058477
			10 m, 4-wire	DOL-1204-W10MRN	6058479
			25 m, 4-wire	DOL-1204-W25MRN	6058481


Connecting cables with female connector M12, 4-pin, PVC, hygienic systems

- **Cable material:** PVC
- **Connector material:** PUR
- **Locking nut material:** stainless steel (V4A/1.4404)

Figure	Connection type head A	Connection type head B	Connecting cable	Type	Part no.
	Female connector, M12, 4-pin, straight, unshielded	Cable, Flying leads	2 m, 4-wire	DOL-1204-G02MNI	6052613
			5 m, 4-wire	DOL-1204-G05MNI	6052615
			10 m, 4-wire	DOL-1204-G10MNI	6052617
			25 m, 4-wire	DOL-1204-G25MNI	6052619
	Female connector, M12, 4-pin, angled, with 3 LEDs, unshielded	Cable, Flying leads	2 m, 4-wire	DOL-1204-L02MNI	6052621
			5 m, 4-wire	DOL-1204-L05MNI	6052622
			10 m, 4-wire	DOL-1204-L10MNI	6052623
			25 m, 4-wire	DOL-1204-L25MNI	6052624
	Female connector, M12, 4-pin, angled, unshielded	Cable, Flying leads	2 m, 4-wire	DOL-1204-W02MNI	6052614
			5 m, 4-wire	DOL-1204-W05MNI	6052616
			10 m, 4-wire	DOL-1204-W10MNI	6052618
			25 m, 4-wire	DOL-1204-W25MNI	6052620



Connecting cables with female connector M12, 5-pin, PP, hygienic systems

- **Cable material:** PP
- **Connector material:** PP
- **Locking nut material:** stainless steel (V4A/1.4404)
- **Description:** This product is generally resistant to chemical cleaning agents (see ECOLAB) and other chemical compounds such as H₂O₂ and CH₂O₂. Before permanent installation is carried out, the material's resistance to the cleaning agent being used must be checked.



Figure	Connection type head A	Connection type head B	Connecting cable	Type	Part no.
	Female connector, M12, 5-pin, straight, unshielded	Cable, Flying leads	2 m, 5-wire	DOL-1205-G02MRN	6058494
			5 m, 5-wire	DOL-1205-G05MRN	6058495
			10 m, 5-wire	DOL-1205-G10MRN	6058496
			25 m, 5-wire	DOL-1205-G25MRN	6058497

Connecting cables with male connector M12, 4-pin, PUR, halogen-free, Oil / grease resistant



- **Cable material:** PUR, halogen-free
- **Connector material:** TPU
- **Locking nut material:** zinc die-cast, nickel-plated

Figure	Connection type head A	Connection type head B	Connecting cable	Type	Part no.
	Male connector, M12, 4-pin, straight, unshielded	Cable, Flying leads	2 m, 4-wire	STL-1204-G02MC	6028077
			5 m, 4-wire	STL-1204-G05MC	6048170
			0.29 m, 4-wire	STL-1204-G0M3C	6011311
			10 m, 4-wire	STL-1204-G10MC	6041750
			15 m, 4-wire	STL-1204-G15MC	6048171
	Male connector, M12, 4-pin, angled, unshielded	Cable, Flying leads	5 m, 4-wire	STL-1204-W05MC	6037472
			15 m, 4-wire	STL-1204-W15MC	6037473


Female connectors (ready to assemble) M8, 3-pin

Figure	Connection type head A	Connection type head B	Connector material	Locking nut material	Type	Part no.
	Female connector, M8, 3-pin, straight, unshielded	Screw-type terminals	PBT/PA	CuZn	DOS-0803-G	7902077
	Female connector, M8, 3-pin, angled, unshielded	Solder connection	PA/Zinc diecast	CuZn	DOS-0803-W	7902078



Female connectors (ready to assemble) M12, 4-pin

Figure	Connection type head A	Connection type head B	Connector material	Locking nut material	Type	Part no.
	Female connector, M12, 4-pin, straight, unshielded	Screw-type terminals	PA	CuZn	DOS-1204-G	6007302
	Female connector, M12, 4-pin, angled, unshielded	Screw-type terminals	PBT	CuZn	DOS-1204-W	6007303

Male connectors (ready to assemble) M8, 3-pin

Figure	Connection type head A	Connection type head B	Connector material	Locking nut material	Type	Part no.
	Male connector, M8, 3-pin, straight, unshielded	Screw-type terminals	PBT/PA	CuZn	STE-0803-G	6037322

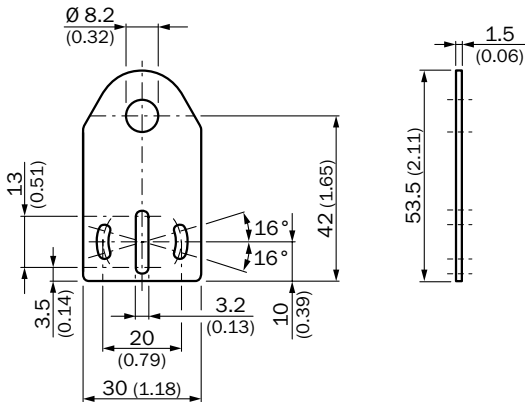
Male connectors (ready to assemble) M12, 4-pin

Figure	Connection type head A	Connection type head B	Connector material	Locking nut material	Type	Part no.
	Male connector, M12, 4-pin, straight, unshielded	-, screw-type terminals	PA	CuZn	STE-1204-G	6009932
	Male connector, M12, 4-pin, angled, unshielded	-, screw-type terminals	PBT	CuZn	STE-1204-W	6022084

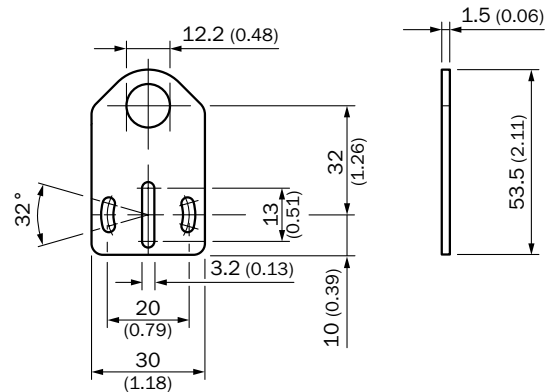
Dimensional drawings → Seite 31

Dimensional drawings Mounting systems

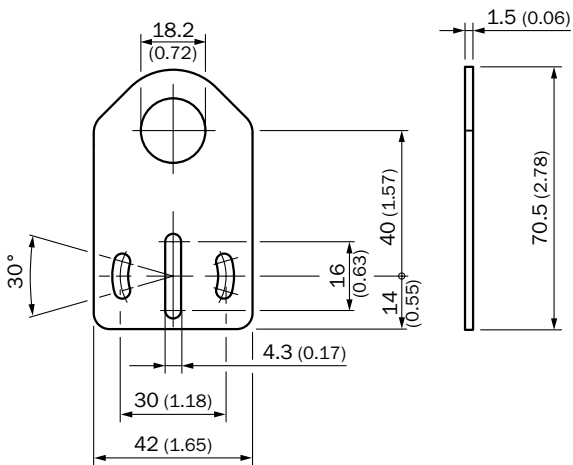
BEF-WG-M08



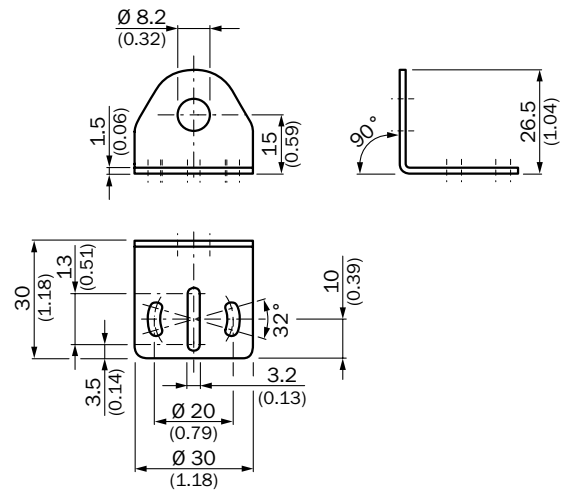
BEF-WG-M12



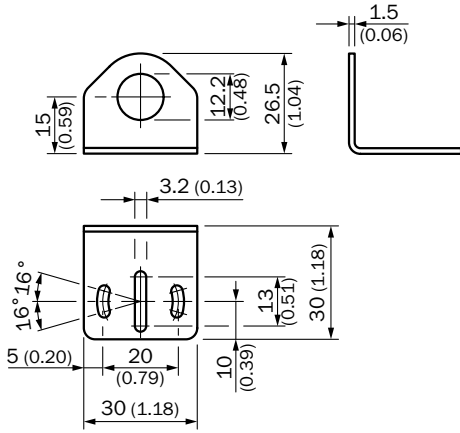
BEF-WG-M18



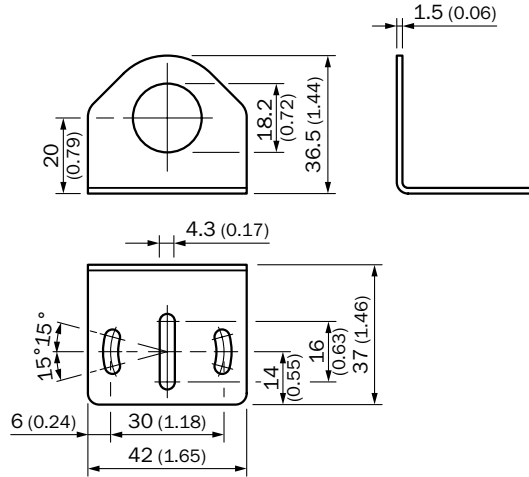
BEF-WN-M08



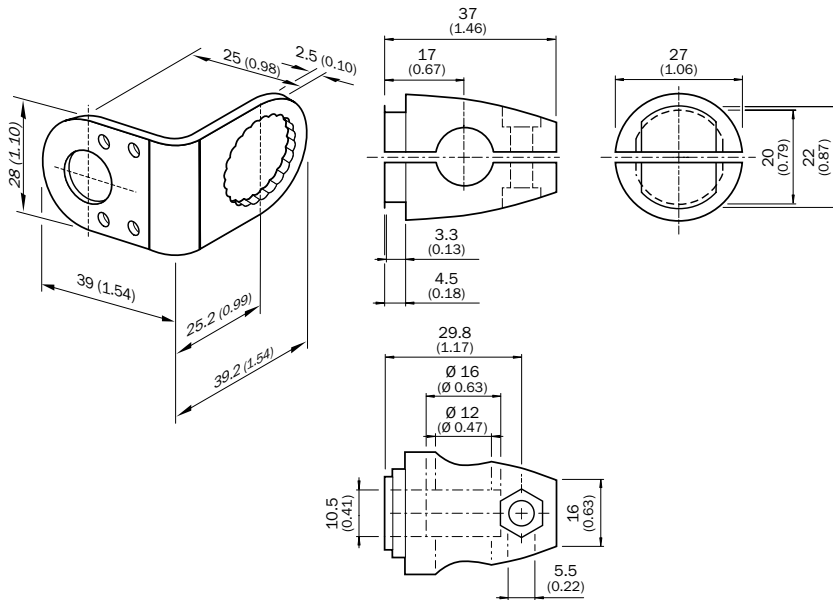
BEF-WN-M12



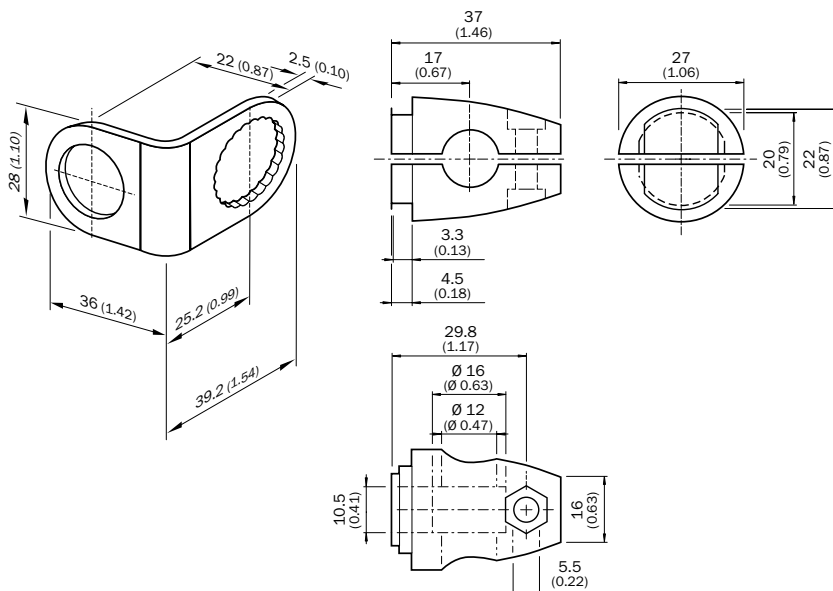
BEF-WN-M18



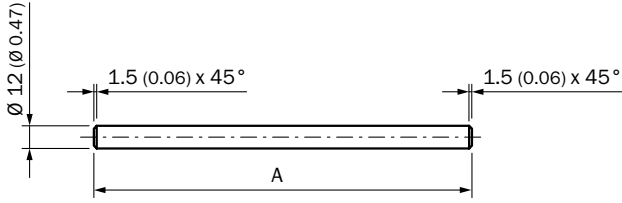
BEF-KHS-N05(N)



BEF-KHS-N06(N)

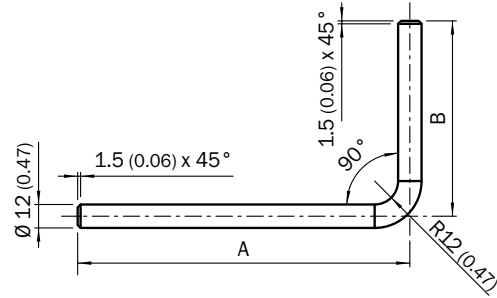


BEF-MS12G-(N)A / BEF-MS12G-(N)B



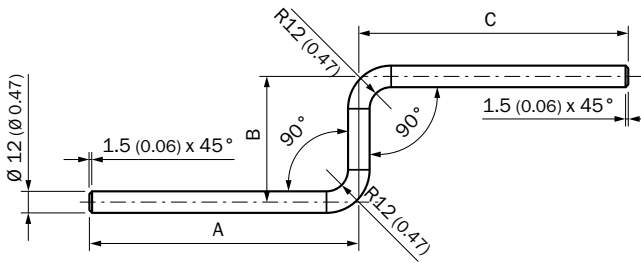
- ① BEF-MS12G-(N)A: A = 200 mm
- ② BEF-MS12G-(N)B: A = 300 mm

BEF-MS12L-(N)A / BEF-MS12L-(N)B



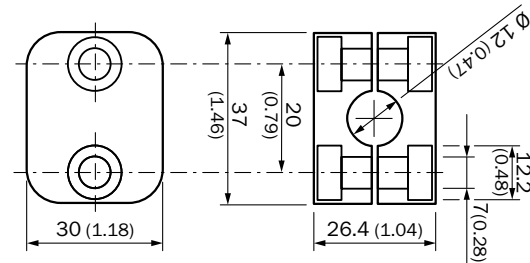
- ① BEF-MS12L-(N)A: A = 200 mm, B = 150 mm
- ② BEF-MS12L-(N)B: A = 250 mm, B = 250 mm

BEF-MS12Z-(N)A / BEF-MS12Z-(N)B

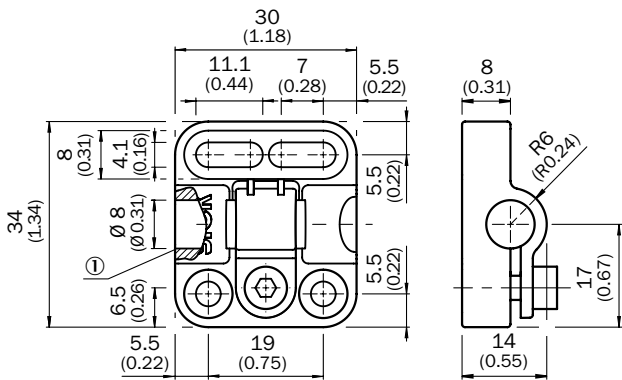


- ① BEF-MS12Z-(N)A: A = 150 mm, B = 70 mm, C = 150 mm
- ② BEF-MS12Z-(N)B: A = 150 mm, B = 70 mm, C = 250 mm

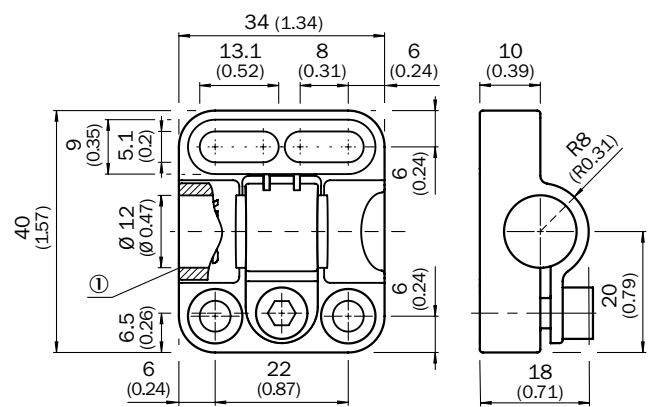
BEF-RMC-D12



BEF-KH-M08

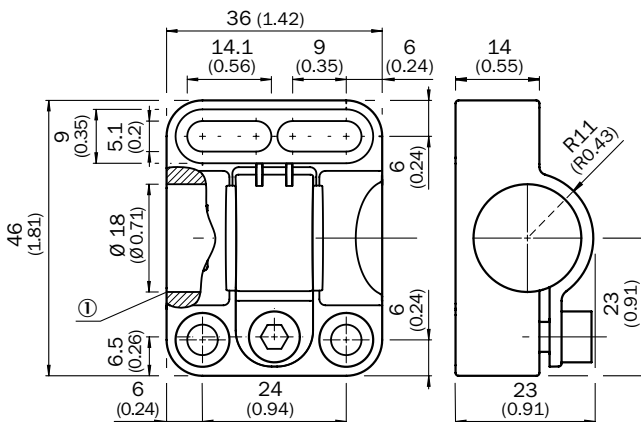


BEF-KH-M12

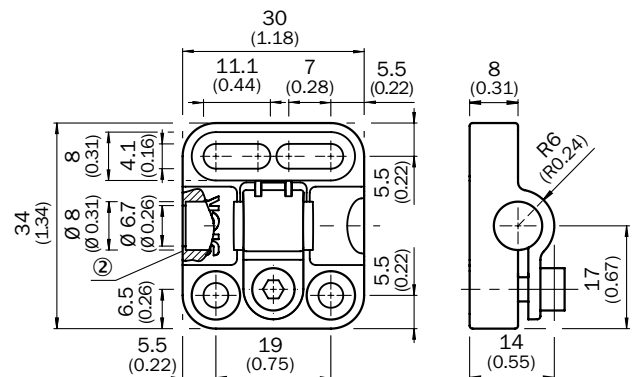


② Without fixed stop

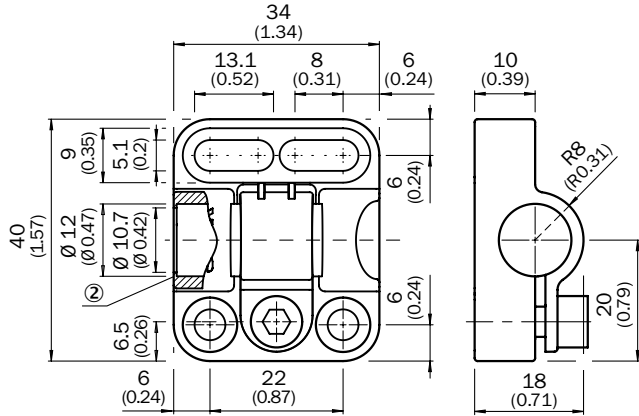
BEF-KH-M18



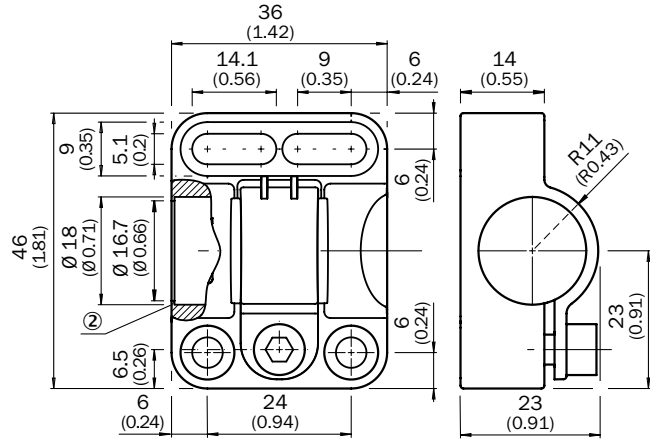
BEF-KHF-M08



BEF-KHF-M12



BEF-KHF-M18

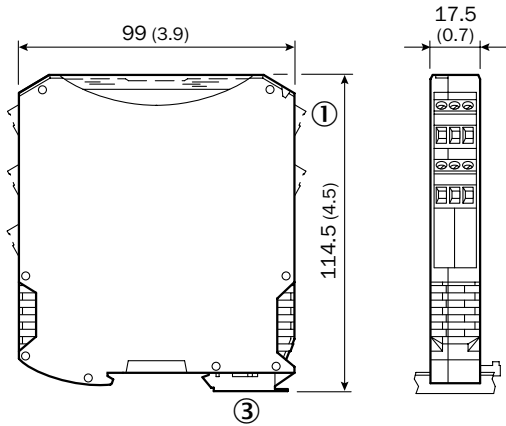


② With fixed stop

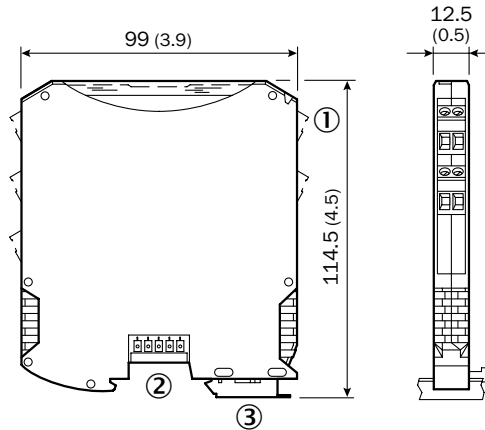
② With fixed stop

Dimensional drawings Connection systems

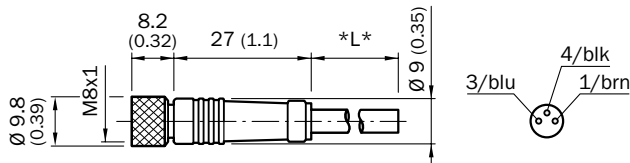
EN2-2EX1



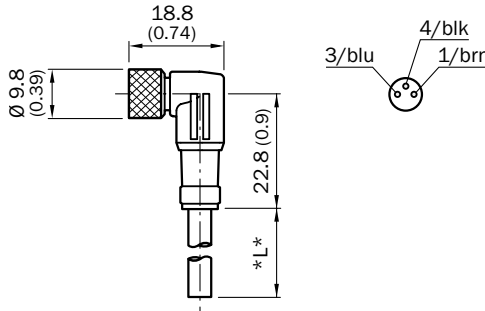
EN2-2EX3



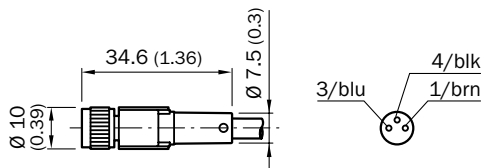
DOL-0803-GxxM



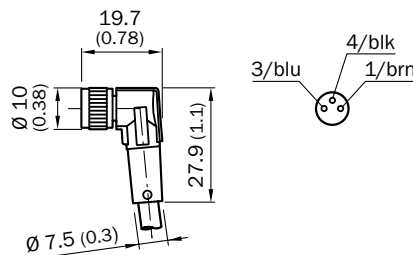
DOL-0803-WxxM



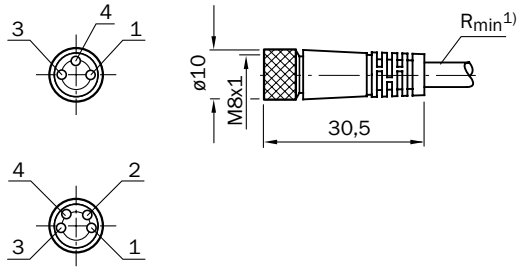
DOL-0803-GxxMC



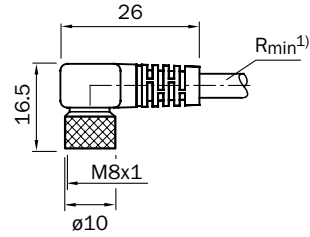
DOL-0803-WxxMC



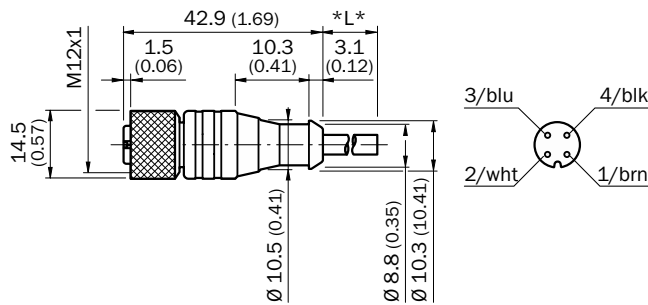
DOL-0803-GxxMN



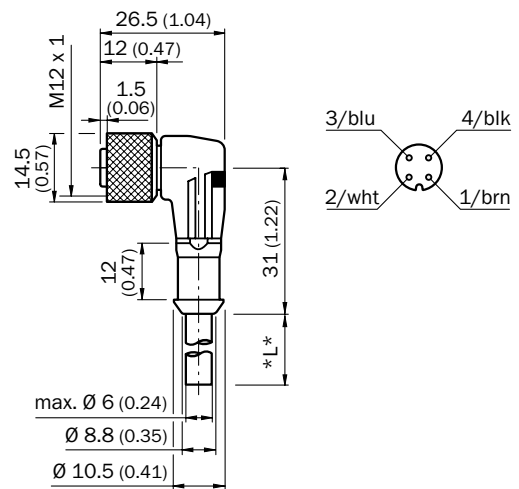
DOL-0803-WxxMN



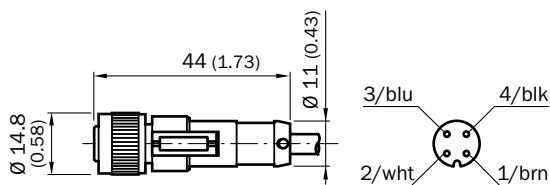
DOL-1204-GxxM



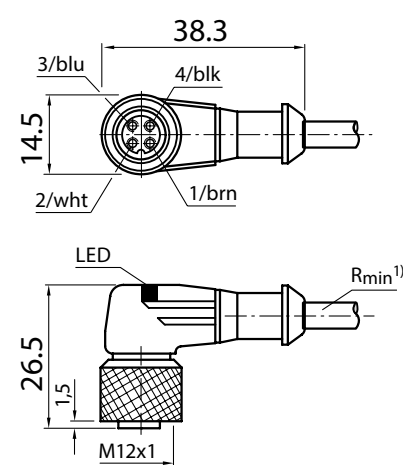
DOL-1204-WxxM / DOL-1204-LxxM



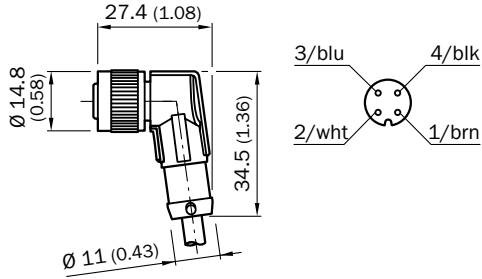
DOL-1204-GxxMC, DOL-1204GxxMC75KM0



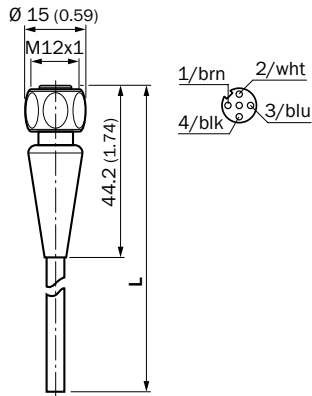
DOL-1204-LxxMC



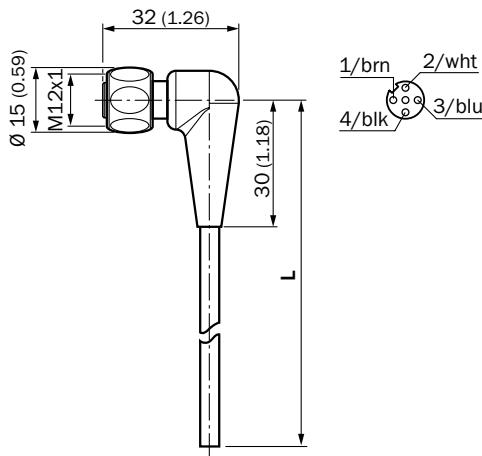
DOL-1204-WxxMC, DOL-1204WxxMC75KM0



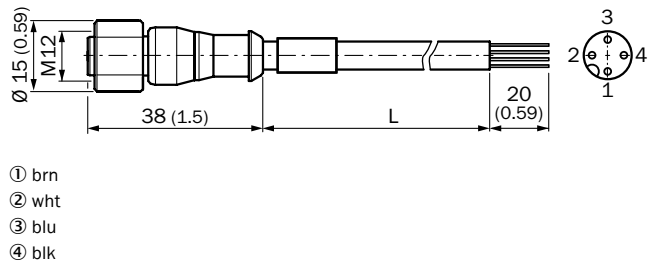
DOL-1204-GxxMRN



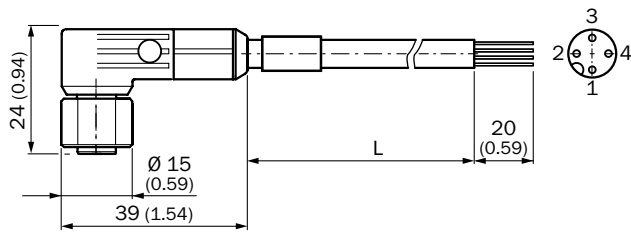
DOL-1204-LxxMRN, DOL-1204-WxxMRN



DOL-1204-GxxMNI

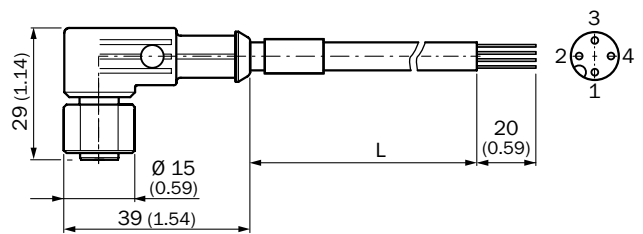


DOL-1204-LxxMNI



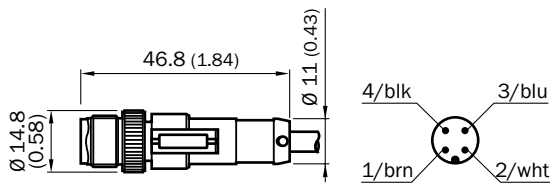
- ① brn
- ② wht
- ③ blu
- ④ blk

DOL-1204-WxxMNI

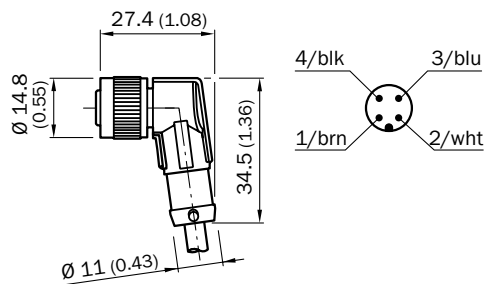


- ① brn
- ② blk
- ③ blu
- ④ wht

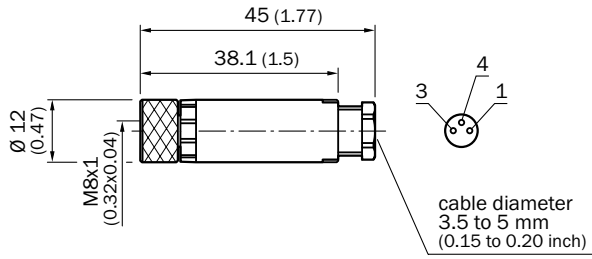
STL-1204-GxxMC



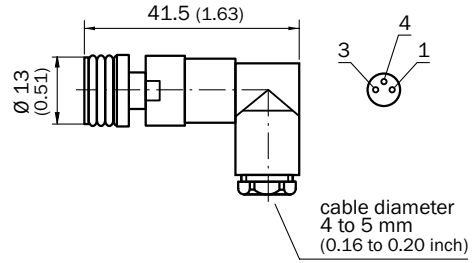
STL-1204-WxxMC



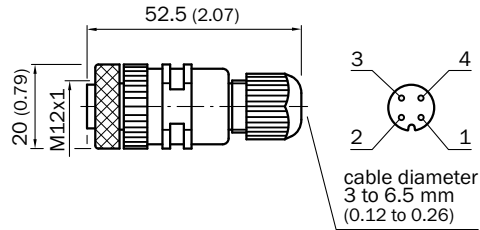
DOS-0803-G



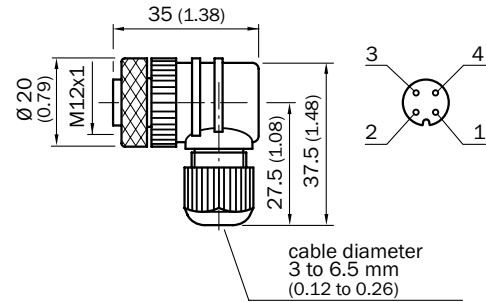
DOS-0803-W



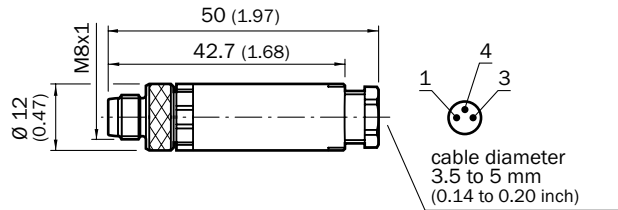
DOS-1204-G



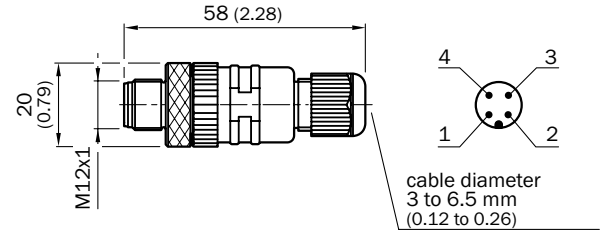
DOS-1204-W



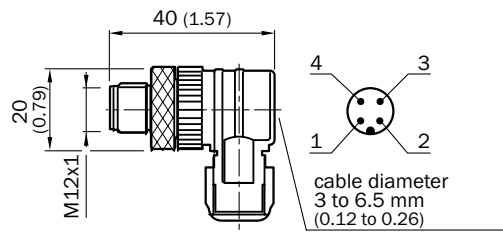
STE-0803-G



STE-1204-G

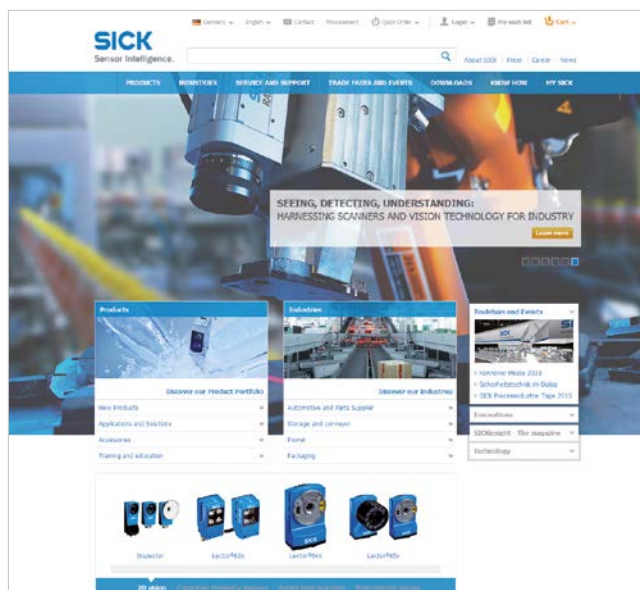


STE-1204-W



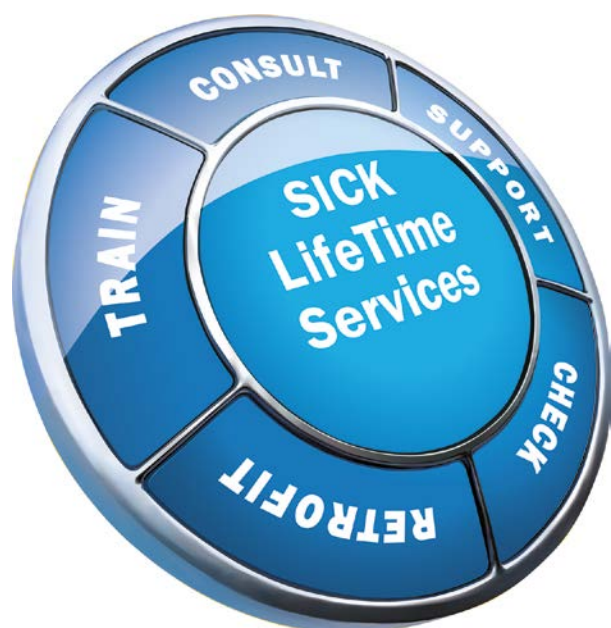
REGISTER AT WWW.SICK.COM TODAY AND ENJOY ALL THE BENEFITS






- ✔ Select products, accessories, documentation and software quickly and easily.
- ✔ Create, save and share personalized wish lists.
- ✔ View the net price and date of delivery for every product.
- ✔ Requests for quotation, ordering and delivery tracking made easy.
- ✔ Overview of all quotations and orders.
- ✔ Direct ordering: submit even very complex orders in moments.
- ✔ View the status of quotations and orders at any time. Receive e-mail notifications of status changes.
- ✔ Easily repeat previous orders.
- ✔ Conveniently export quotations and orders to work with your systems.



SERVICES FOR MACHINES AND SYSTEMS: SICK LifeTime Services

Our comprehensive and versatile LifeTime Services are the perfect addition to the comprehensive range of products from SICK. The services range from product-independent consulting to traditional product services.



- 
Consulting and design
 Safe and professional
- 
Product and system support
 Reliable, fast and on-site
- 
Verification and optimization
 Safe and regularly inspected
- 
Upgrade and retrofits
 Easy, safe and economical
- 
Training and education
 Practical, focused and professional

SICK AT A GLANCE

SICK is a leading manufacturer of intelligent sensors and sensor solutions for industrial applications. With more than 7,400 employees and over 50 subsidiaries and equity investments as well as numerous agencies worldwide, we are always close to our customers. A unique range of products and services creates the perfect basis for controlling processes securely and efficiently, protecting individuals from accidents and preventing damage to the environment.

We have extensive experience in various industries and understand their processes and requirements. With intelligent sensors, we can deliver exactly what our customers need. In application centers in Europe, Asia and North America, system solutions are tested and optimized in accordance with customer specifications. All this makes us a reliable supplier and development partner.

Comprehensive services round out our offering: SICK LifeTime Services provide support throughout the machine life cycle and ensure safety and productivity.

For us, that is “Sensor Intelligence.”

Worldwide presence:

Australia, Austria, Belgium, Brazil, Canada, Chile, China, Czech Republic, Denmark, Finland, France, Germany, Great Britain, Hungary, India, Israel, Italy, Japan, Malaysia, Mexico, Netherlands, New Zealand, Norway, Poland, Romania, Russia, Singapore, Slovakia, Slovenia, South Africa, South Korea, Spain, Sweden, Switzerland, Taiwan, Thailand, Turkey, United Arab Emirates, USA, Vietnam.

Detailed addresses and further locations → www.sick.com