




Double pilot controlled check valve for realising 5/3-way function with all ports blocked

- Compact design
- For single valve or valve unit
- Fast reaction times
- High degree of tightness throughout service life
- With manual override

Product variants described in the data sheet may differ from the product presentation and description.

Can be combined with

| | | |
|---|--|---|
|  | Type 8647 AirLINE SP – electropneumatic automation system | ▶ |
|  | Type 8650 AirLINE Ex – electropneumatic automation system for use in potentially explosive areas | ▶ |
|  | Type 8652 AirLINE – the valve island optimised for process automation | ▶ |
|  | Type 8653 AirLINE Field – the valve island – optimised for process automation | ▶ |

Type description

Two check valves are integrated in Type 0498. If this double pilot controlled check valve is combined with two 3/2-way valves, a 5/3-way function with all parts blocked (circuit function L) can then be released.

DTS 1000085808 EN Version: E Status: RL (released | freigegeben | valide) printed: 13.05.2026

Table of contents

| | |
|--|----------|
| 1. General technical data | 3 |
| <hr/> | |
| 2. Approvals and conformities | 3 |
| 2.1. General notes | 3 |
| 2.2. Conformity | 3 |
| 2.3. Standards | 3 |
| <hr/> | |
| 3. Dimensions | 4 |
| <hr/> | |
| 4. Product installation | 5 |
| 4.1. Mounting options..... | 5 |
| Installing the double check valve..... | 5 |
| <hr/> | |
| 5. Product design and assembly | 5 |
| 5.1. Application examples | 5 |
| Double check valve Type 0498 in combination with two 3/2-way valves and a double cylinder..... | 5 |
| Double check valve Type 0498 in combination with a 5/2-way valve and a double cylinder..... | 6 |
| Double check valve Type 0498 in combination with a 5/2-way valve and a double cylinder..... | 7 |
| <hr/> | |
| 6. Ordering information | 8 |
| 6.1. Bürkert eShop | 8 |
| 6.2. Bürkert product filter..... | 8 |
| 6.3. Ordering chart | 8 |
| 6.4. Ordering chart accessories..... | 8 |

DTS 1000085808 EN Version: E Status: RL (released | freigegeben | valide) printed: 13.05.2026

1. General technical data

| Product properties | |
|------------------------------|---|
| Dimensions | Further information can be found in chapter "3. Dimensions" on page 4. |
| Material | |
| Seal | NBR |
| Body | Polyamide |
| Manual override | Standard |
| Weight | 33 g (45 g with mounting base) |
| Orifice | DN 4.0 |
| Performance data | |
| Flow-rate air (Q_{Nr}) | Measurement at + 20 °C, 6 bar pressure at valve inlet and 1 bar differential pressure |
| Pressure values | Overpressure with respect to ambient pressure |
| Switching time | Measurement according to ISO 12238 |
| Medium data | |
| Operating medium | Lubricated or oil-free compressed dry air and neutral gases (5 µm filter recommended) |
| Medium temperature | - 10 °C...+ 50 °C |
| Product connections | |
| Port connection | Push-in Ø 6 mm |
| Environment and installation | |
| Installation position | As required |
| Mounting | Circuit installation or optionally with mounting base |
| Ambient temperature | - 10 °C...+ 55 °C |

2. Approvals and conformities

2.1. General notes

- The approvals and conformities listed below must be stated when making enquiries. This is the only way to ensure that the product complies with all required specifications.
- Not all available variants can be supplied with the below mentioned approvals or conformities.

2.2. Conformity

In accordance with the Declaration of Conformity, the product is compliant with the EU Directives.

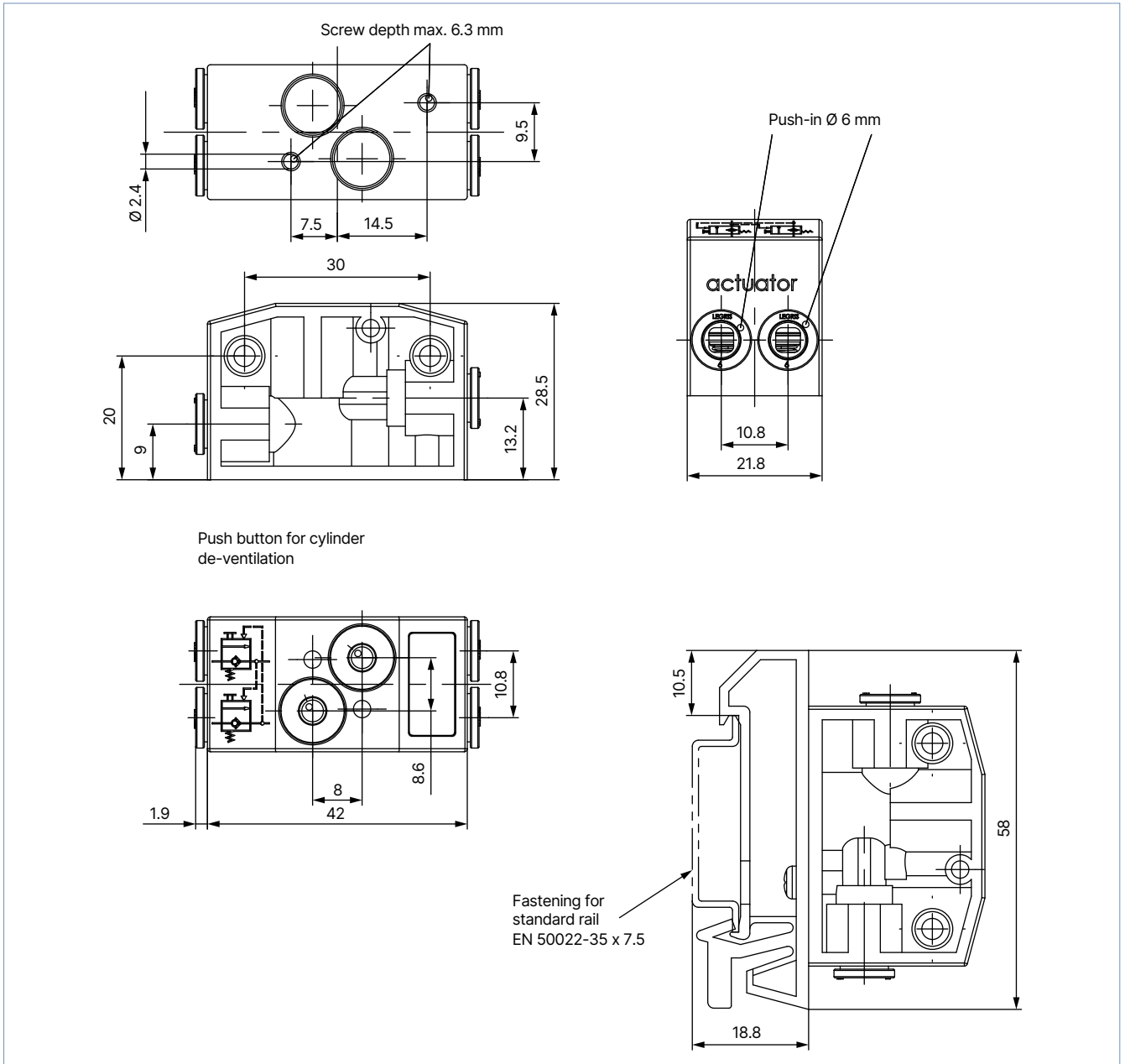
2.3. Standards

The applied standards which are used to demonstrate compliance with the EU Directives are listed in the EU-Type Examination Certificate and/or the EU Declaration of Conformity.

3. Dimensions

Note:

Dimensions in mm



DTS 1000085808 EN Version: E Status: RL (released | freigegeben | valide) printed: 13.05.2026

4. Product installation

4.1. Mounting options

Installing the double check valve

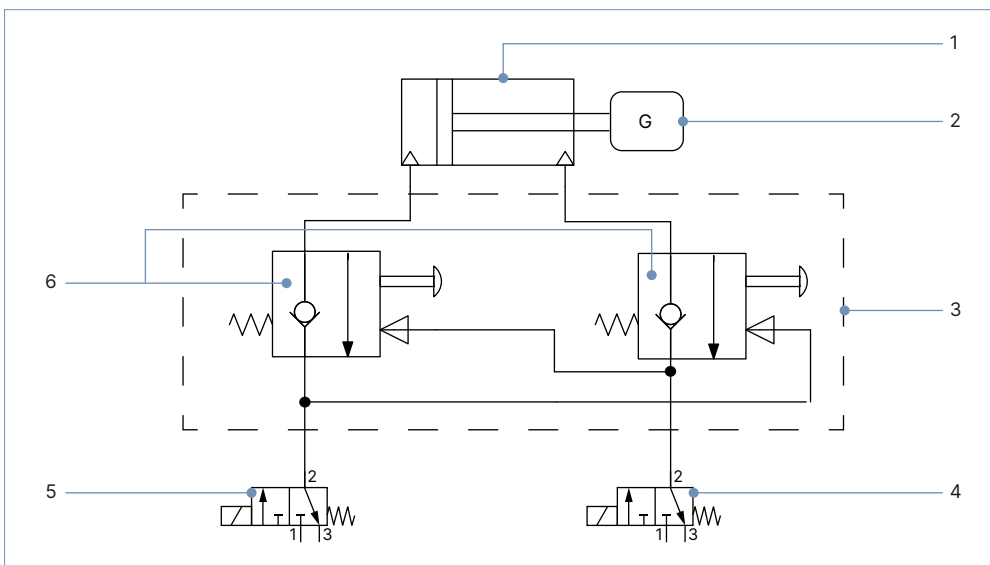
Refer to **operating instructions Type 0498** ▶ for more information.

5. Product design and assembly

5.1. Application examples

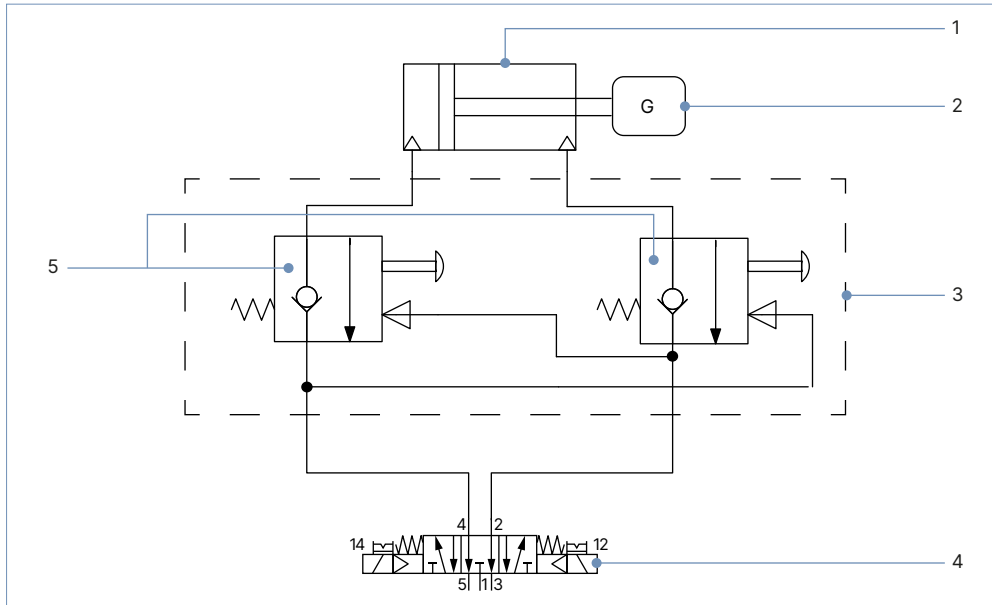
Double check valve Type 0498 in combination with two 3/2-way valves and a double cylinder

In combination with two 3/2-way valves or a 5/3-way valve with open center position, the actuator, e.g. a double cylinder, can be held in an intermediate position.



| No. | Element |
|-----|-----------------------------------|
| 1 | Double cylinder |
| 2 | Mass |
| 3 | Double check valve Type 0498 |
| 4 | 3/2-way valve, circuit function C |
| 5 | 3/2-way valve, circuit function C |
| 6 | Releasable check valves |

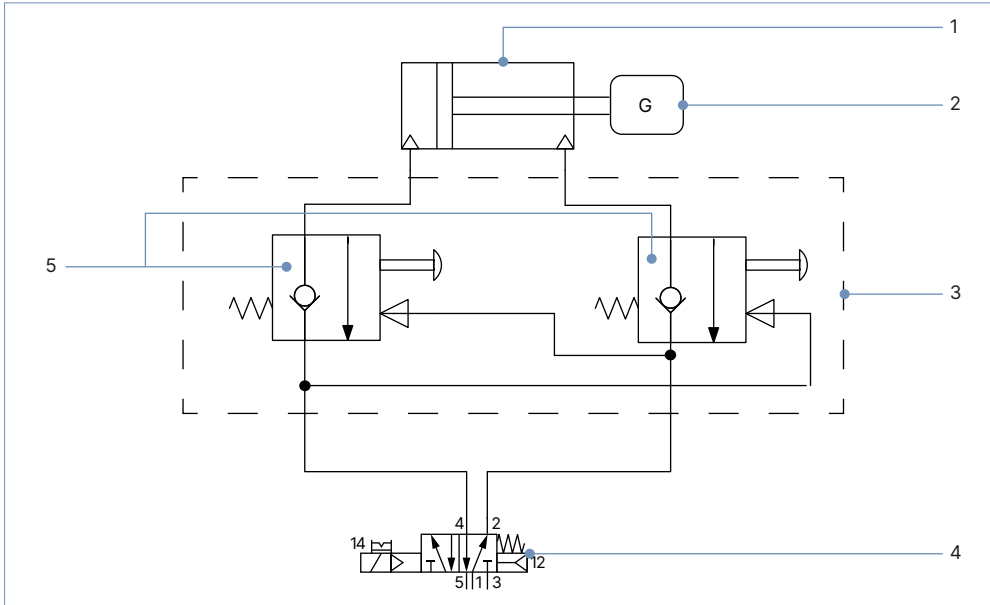
Double check valve Type 0498 in combination with a 5/2-way valve and a double cylinder



| No. | Element |
|-----|-----------------------------------|
| 1 | Double cylinder |
| 2 | Mass |
| 3 | Double check valve Type 0498 |
| 4 | 5/3-way valve, circuit function N |
| 5 | Releasable check valves |

Double check valve Type 0498 in combination with a 5/2-way valve and a double cylinder


In combination with a monostable 5/2-way valve (Type 6519, circuit function H) or with a bistable 5/2-way valve (Type 6519, circuit function Z or impulse valve), the double check valve can be used to prevent a double cylinder from resetting if the supply pressure fails. If the supply pressure fails, the double cylinder remains in the end position.



| No. | Element |
|-----|---|
| 1 | Double cylinder |
| 2 | Mass |
| 3 | Double check valve Type 0498 |
| 4 | 5/2-way valve Type 6519, circuit function H |
| 5 | Releasable check valves |

6. Ordering information

6.1. Bürkert eShop




Bürkert eShop – Easy ordering and quick delivery

You want to find your desired Bürkert product or spare part quickly and order directly? Our online shop is available for you 24/7. Sign up and enjoy all the benefits.

[Order online now](#)

6.2. Bürkert product filter



Bürkert product filter – Get quickly to the right product

You want to select products comfortably based on your technical requirements? Use the Bürkert product filter and find suitable articles for your application quickly and easily.

[Try out our product filter](#)

6.3. Ordering chart

| Variant | Port connection | DN | Flow rate | Pressure range | Article no. |
|--------------------------|----------------------------|------|-----------|----------------|-------------|
| | | [mm] | [l/min] | [bar] | |
| Double check valve D6 mm | Push-in connection 6 mm | 4 | 300 | 2...10 | 20033510 |
| Double check valve D1/4" | Push-in connection 6.35 mm | 4 | 300 | 2...10 | 20075010 |

6.4. Ordering chart accessories

| Variant | Description | Article no. |
|-------------------|--|-------------|
| Mounting foot set | Mounting adapter for standard rail with fastening screws | 20033512 |

DTS 1000085808 EN Version: E Status: RL (released | freigegeben | valide) printed: 13.05.2026