



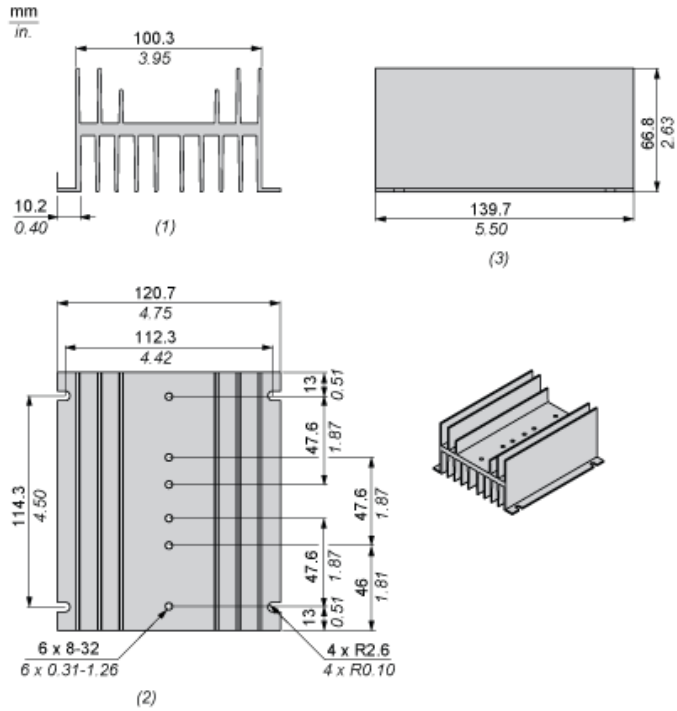
Main

| | |
|--------------------------------|-------------|
| Range of product | Zelio Relay |
| Accessory / separate part type | Heat sink |

Complementary

| | |
|-------------------------------|----------------------------------|
| Product compatibility | 1 solid state relay SSR on panel |
| Thermal resistance | 0.7 °C/W |
| Mounting support | Panel |
| Material | Aluminium |
| Surface finish | Black anodized |
| Surface and useful surface | 1640 cm ² |
| Number of mounting holes | 6 with UNC 8-32 thread |
| Tightening torque | 1.7...2.2 N.m |
| Sale per indivisible quantity | 1 |
| Width | 139.7 mm |
| Height | 120.7 mm |
| Depth | 66.8 mm |
| Product weight | 526 g |

Dimensions



- (1) Front view
- (2) Top view
- (3) Side view