

Bimetal, Industrial Type



100 SERIES

- High quality, cost-effective thermometer
- Designed for limited space applications, or where a weather-resistant, tamper-proof case is required
- Temperature ranges from -100 °F to 150 °F through 200 °F to 1,000 °F, single and dual scales available
- Dual scale option - outer Fahrenheit, inner Celsius
- Accuracy: ±1% full scale, Grade A, ASME B40.3
- 2" and 3" sizes - center back and bottom connections
- 304 stainless steel case and bezel
- Lightweight, black finish aluminum pointer
- Standard stem lengths 2-1/2" through 24"
- The bimetal element is an extremely responsive temperature sensing helix which has been carefully sized, tested, heat-treated and aged to relieve inherent stresses and ensure continued accuracy
- For accurate readings, the minimum recommended stem immersion is 2-1/2" in liquids and 4" in gases
- Options include acrylic lenses, special ranges, custom dial layouts, special stems and different connections (1/8", 3/8", and 1/2" NPT Male)

APPLICATIONS

Used in almost every area of manufacturing, especially suited for applications in the following areas:

- Industrial process
- Petrochemical
- Food processing
- Commercial
- Wastewater

	SERIES	SPECIFICATIONS
Case	20-110, 30-110, 30-100	304 stainless steel
Bezel	20-110 30-110, 30-100	304 stainless steel electroless polished 304 stainless steel
Lens	20-110 30-110, 30-100	Convex glass Instrument glass
Pointer	20-110, 30-110, 30-100	Aluminum, black finish
Stem	20-110, 30-110, 30-100	304 stainless steel
Accuracy	20-110, 30-110, 30-100	±1% full scale, Grade A, ASME B40.3
Dial	20-110, 30-110, 30-100	Aluminum, white background, dual scale, black Celsius scale and black Fahrenheit scale

Thermowells are recommended for pressure, corrosive fluids and high velocity applications, see pages 36-37.

ORDERING INFORMATION						
DIAL SIZES	20	2" (Back connection only)	30	3"		
CASE TYPES	100	Bottom connection	110	Back connection		
STEM LENGTHS	025	2-1/2"	090	9"	180	18"
	040	4"	120	12"	240	24"
	060	6"	150	15"		
TEMPERATURE RANGES	-100/150 F/C	-100 °F/°C to 150 °F/°C	30/130 F/C	30 °F/°C to 130 °F/°C†	50/500 F/C	50 °F/°C to 500 °F/°C
	-80/120 F/C	-80 °F/°C to 120 °F/°C	0/140 F/C	0 °F/°C to 140 °F/°C	50/550 F/C	50 °F/°C to 550 °F/°C
<i>Dual Scale °F/°C</i>	-40/120 F/C	-40 °F/°C to 120 °F/°C	0/200 F/C	0 °F/°C to 200 °F/°C	0/600 F/C	0 °F/°C to 600 °F/°C
	-20/120 F/C	-20 °F/°C to 120 °F/°C	0/250 F/C	0 °F/°C to 250 °F/°C	150/750 F/C	150 °F/°C to 750 °F/°C
	-40/160 F/C	-40 °F/°C to 160 °F/°C	20/240 F/C	20 °F/°C to 240 °F/°C	100/800 F/C	100 °F/°C to 800 °F/°C
	0/100 F/C	0 °F/°C to 100 °F/°C†	50/300 F/C	50 °F/°C to 300 °F/°C	200/1000 F/C	200 °F/°C to 1,000 °F/°C
	25/125 F/C	25 °F/°C to 125 °F/°C†	50/400 F/C	50 °F/°C to 400 °F/°C		
<i>Single Scale °F</i>	-100/150 F	-100 °F to 150 °F	30/130 F	30 °F to 130 °F†	50/500 F	50 °F to 500 °F
	-80/120 F	-80 °F to 120 °F	0/140 F	0 °F to 140 °F	50/550 F	50 °F to 550 °F
	-40/120 F	-40 °F to 120 °F	0/200 F	0 °F to 200 °F	0/600 F	0 °F to 600 °F
	-20/120 F	-20 °F to 120 °F	0/250 F	0 °F to 250 °F	150/750 F	150 °F to 750 °F
	-40/160 F	-40 °F to 160 °F	20/240 F	20 °F to 240 °F	100/800 F	100 °F to 800 °F
	0/100 F	0 °F to 100 °F†	50/300 F	50 °F to 300 °F	200/1000 F	200 °F to 1,000 °F
	25/125 F	25 °F to 125 °F†	50/400 F	50 °F to 400 °F		
<i>Single Scale °C</i>	-70/70 C	-70 °C to 70 °C	0/55 C	0 °C to 55 °C†	0/250 C	0 °C to 250 °C
	-60/50 C	-60 °C to 50 °C	-20/60 C	-20 °C to 60 °C	10/290 C	10 °C to 290 °C
	-50/50 C	-50 °C to 50 °C	0/100 C	0 °C to 100 °C	-20/315 C	-20 °C to 315 °C
	-30/50 C	-30 °C to 50 °C	-20/120 C	-20 °C to 120 °C	0/300 C	0 °C to 300 °C
	-40/70 C	-40 °C to 70 °C	-10/110 C	-10 °C to 110 °C	0/450 C	0 °C to 450 °C
	-20/40 C	-20 °C to 40 °C†	0/150 C	0 °C to 150 °C	100/550 C	100 °C to 550 °C
	0/50 C	0 °C to 50 °C†	0/200 C	0 °C to 200 °C		
Consult factory for additional temperature ranges						
OPTIONS	1/4	1/4" NPT*	1/2	1/2" NPT**	SG	Safety Glass Lens
	3/8	3/8" NPT	PL	Acrylic Lens	LL	Polycarbonate Lens

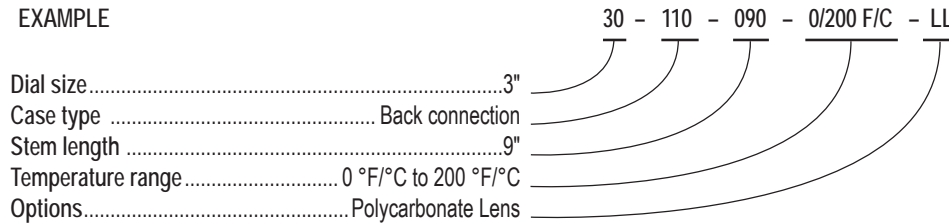
Please consult your local NOSHOK Distributor or NOSHOK, Inc. for availability and delivery information.

* Standard connection on 2" dial size

** Standard connection on 3" dial size

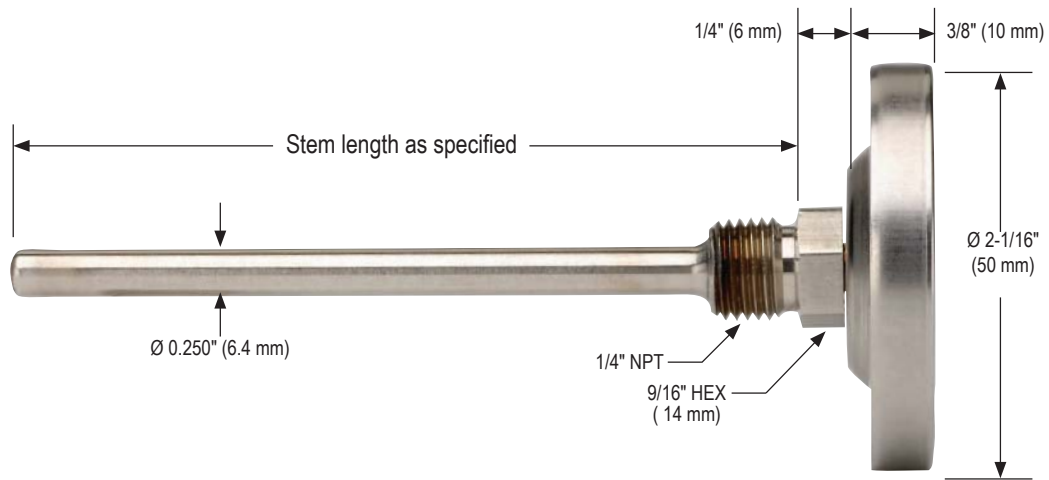
† Not available with 2-1/2" stem length

EXAMPLE



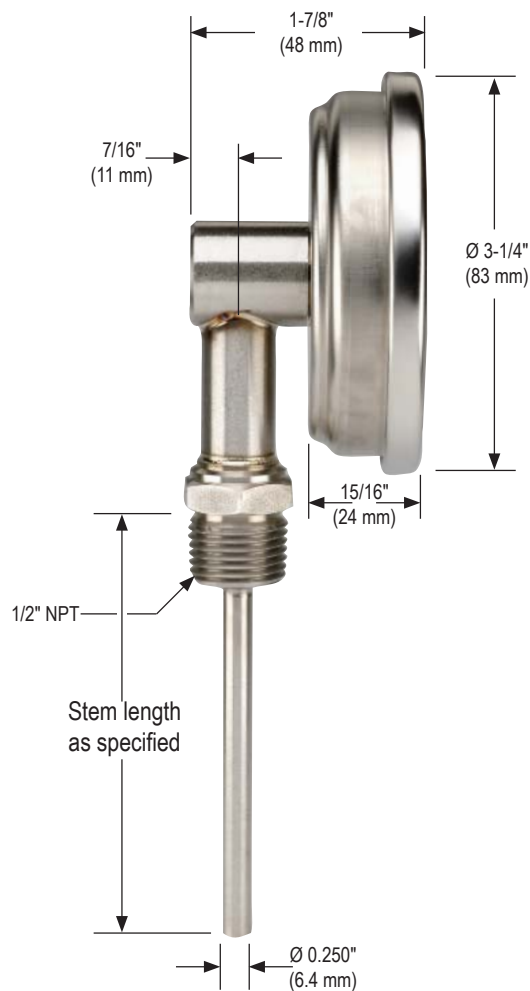
Dimensions

20-110



ALL FRACTIONAL DIMENSIONS $\pm 1/16''$ (1.58 mm)

30-100



30-110

