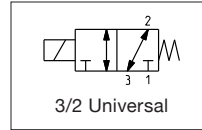


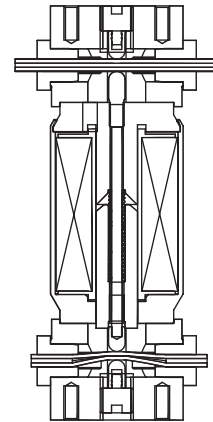
- The 373 Series is a 3-Way universal solenoid-operated pinch valve designed for use with highly aggressive or high-purity liquids in analytical and medical instrumentation, and industrial applications
- Hermetic separation of control mechanism and the fluid within the tubing prevents particulate contamination caused by friction of moving parts, assuring maximum purity of liquids
- Available in a large range of body sizes to accommodate a wide variety of tubing sizes
- Bi-directional flow for exceptional versatility
- Meets all relevant CE directives, and is RoHS compliant
- Typical applications include:
 - Hemodialysis
 - Urinary Collection Systems
 - Intravenous (IV) Systems
 - Food & Beverage Dispensing



Fluids*	Temperature Range
Air, Inert Gases, Water, Oil or Liquids	0 °C to 25 °C (32 °F to 77 °F)

* Ensure that the compatibility of the fluids in contact with the materials is verified

Materials in Contact with Fluid	
Recommended Tubing	VMQ (silicone) (max. hardness: 55 Shore A) Two 305mm (12in) pieces of tubing supplied with each valve
Other Materials	
Body	Aluminum, nickel-plated
Pinch Mechanism	POM
Others	Stainless Steel
Tubing Guide	POM/PA

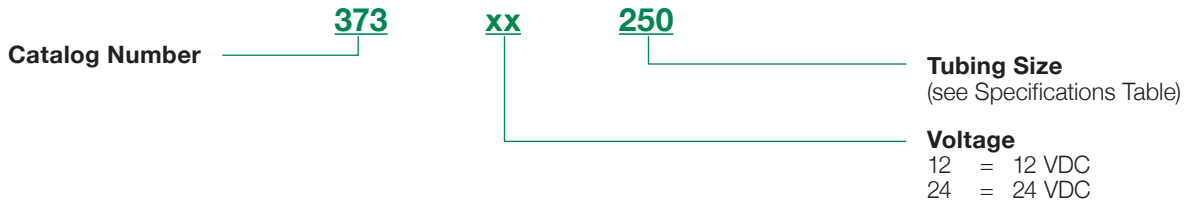


Electrical Characteristics	
Coil Insulation Class	F
Connector	22 AWG Lead Wire, 381mm (15in) long
Electrical Safety	IEC 335
Electrical Enclosure Protection	IP40
Standard Voltages ¹	12 VDC, 24 VDC
Power Consumption	4.5 to 5.2 Watts

¹ Other voltages on request

Specifications						
Tube I.D.	Tube O.D.	Pressure Differential bar (psi)		Power Coil		Catalog Number
		min.	max.	W		
				12 VDC	24 VDC	
mm (inches)	mm (inches)					
0.80 (0.031)	4.00 (0.156)	0	3.40 (50)	4.5	5.2	373xx250
1.60 (0.063)	4.80 (0.188)	0	2.07 (30)	4.5	5.2	373xx430
2.38 (0.094)	4.00 (0.156)	0	1.03 (15)	4.5	5.2	373xx515
2.38 (0.094)	5.56 (0.219)	0	2.07 (30)	4.5	5.2	373xx630
3.17 (0.125)	4.80 (0.188)	0	1.03 (15)	4.5	5.2	373xx715
3.17 (0.125)	6.35 (0.250)	0	2.07 (30)	4.5	5.2	373xx830
3.17 (0.125)	6.35 (0.250)	0	1.03 (15)	4.5	5.2	373xx1010

How to Order

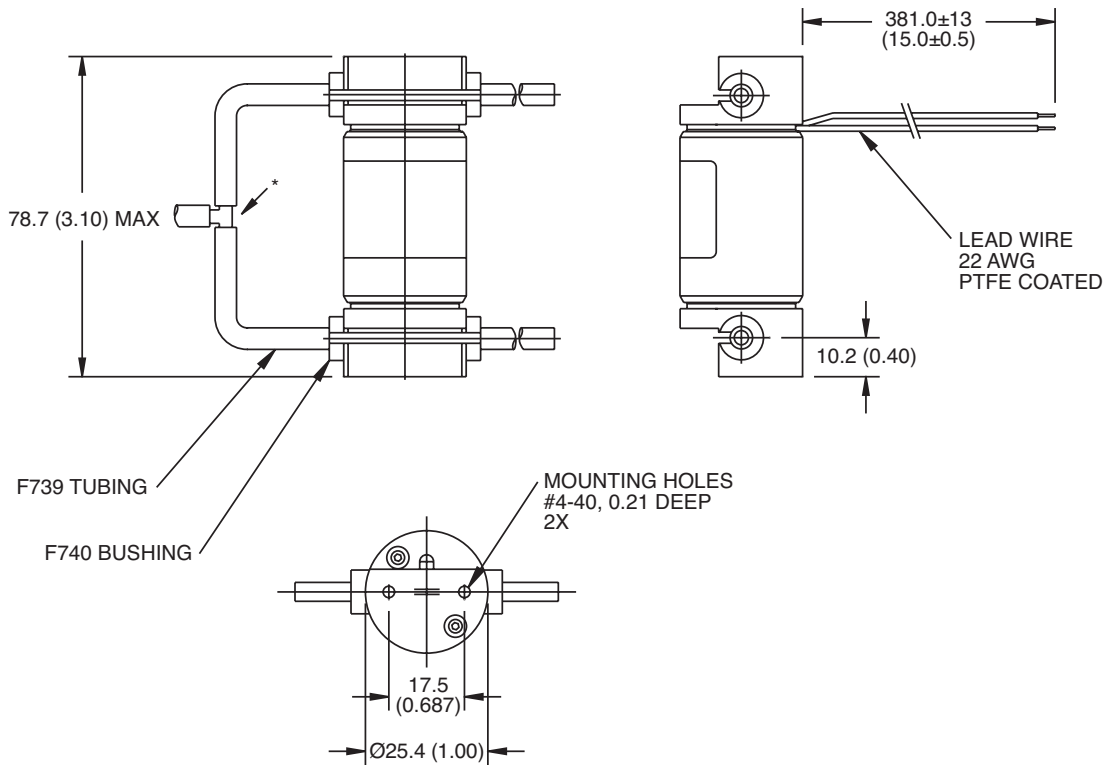


Ordering Example: 37312430 = 1.60mm (0.063in) x 4.8mm (0.188in) tubing, 12 VDC, 2.07 bar (30 psi) max

Dimensions: mm (inches)

Dimensional Drawings

373 Series



* Tee connections not supplied with valve