

SENTRONIC^{PLUS}
Digital Pressure Regulator
Series 614
Régulateur de pression numérique
Series 614
Digitaler Druckregler
Baureihe 614



Installation manual
Manuel d'installation
Installationshandbuch

IM14229-R04
(3835192-B)

GB FR DE

ASCOTM

SUMMARY
SOMMAIRE
INHALT

GB	English version _____	2
1.	Description	3
1.1	Catalogue number	3
1.2	Operating elements	4
1.3	Operating modes	4
2.	Electrical connection	5
3.	Analog setpoint - outlet pressure.....	7
4.	Pneumatic connection	8
5.	Technical characteristics	8
5.1	Fluid characteristics	8
5.2	Specifications.....	9
6.	Accessories	10
7.	Maintenance and care	10
8.	Dimensions and weight	11
FR	Version française _____	19
DE	Deutsche Version _____	29



CAUTION
OBSERVE PRECAUTIONS
FOR HANDLING
ELECTROSTATIC SENSITIVE
DEVICES

This product contains electronic components sensitive to electrostatic discharge. An electrostatic discharge generated by a person or object coming in contact with the electrical components can damage or destroy the product.

To avoid the risk of electrostatic discharge, please observe the handling precautions and recommendations contained in standard EN 100015-1. Do not connect or disconnect the device while it is energised.



CAUTION! Dangerous operating conditions may occur when using the programming interface on the valve as the valve may possibly not react to the analog setpoint any more.
Provide for protection against uncontrolled movement of equipment when putting the valve into operation and before making any modifications to the valve settings.

We herewith declare that the version of the product described in this installation manual is intended to be incorporated into or assembled with other machinery and that it must not be put into service until the machinery into which it is to be incorporated has been declared in conformity with the provisions of Council Directive 2006/42/EC.

Handling, assembly and putting into service and all settings and adjustments must be done by qualified, authorised personnel only.



This product complies with the essential requirements of the EMC Directive 2014/30/EU and its amendments. It is **CE**-approved. A separate Declaration of Conformity is available on request.
Please provide ordering code and serial numbers of products concerned.

NOTICE

The information in this manual is subject to change without notice.

In no event shall ASCO NUMATICS be liable for technical or editorial errors or omissions. Neither is any liability assumed for accidental or consequential damages arising out of or in connection with the supply or use of the information contained herein.

THIS MANUAL CONTAINS INFORMATION PROTECTED BY COPYRIGHT. NO PART OF THIS DOCUMENT MAY BE PHOTOCOPIED OR REPRODUCED IN ANY FORM OR MANNER WHATSOEVER WITHOUT PRIOR WRITTEN PERMISSION FROM ASCO NUMATICS.

1. DESCRIPTION

The **SENTRONIC^{PLUS}** with integrated digital control loop combines the latest in pneumatics technology with intelligent electronics. The **SENTRONIC^{PLUS}** series allows precise control of pressure, flow, force, velocity and displacement or angle positions. It supplements the **SENTRONIC^D** series.

The **SENTRONIC^{PLUS}** is available in 14 standard pressure ranges from 100 mbar to 50 bar. Four nominal sizes are provided to cover a wide flow range. Versions with different body and seal materials can be used in many sectors, e.g. the food industry, medical technology etc.

Cascaded control allows setting up complex control loops using the **DaS software** (Data Acquisition Software). Digital control offers many advantages during installation and start-up of the **SENTRONIC^{PLUS}** valve and extended possibilities to adapt it to various applications.

- All pressure and exhaust ports are the same size, which allows for short response times when the pressure is increased or decreased.
- Digital pressure control in a closed loop: An internal pressure sensor measures the outlet pressure. The outlet pressure is adjusted in real time.
- The control parameters can be changed with the **DaS software** (from DaS release 5.00): The **DaS software** (Data Acquisition Software) ensures the variability of the parameters used by the valve. This flexibility allows the valve to be adapted to the most various applications, and its response time, overshoot and precision to be optimised.
- After having set the optimum parameters, you can save them in a project file for your personal use or send them to our Product Support for future serial production.
- ATEX approval for the version with M12 connector without display:

II 2D Ex tb IIIC T135 °C Db
 II 3G Ex nA IIC T4 Gc
 0 ≤ Ta ≤ +50 °C

EC type examination certificate no.: IBExU07ATEX1173

1.1 CATALOGUE NUMBER

SENTRONIC^{PLUS} - Digital electronic pressure regulator valve

6 1 4 3 5 7 B A S I D P P

SENTRONIC^{PLUS} - with external pressure supply

6 1 4 3 5 9 B A S I D P P

B: Control panel

- D = M12 with display - non-explosionproof
- E = M12 without display - explosionproof (ATEX)
- F = DIN connector, 7-pin, with display - non-explosionproof
- G = DIN connector, 7-pin without display - non-explosionproof

A: VERSION (ports), body

- | | |
|--------------------------|-----------------------------------|
| 0 = DN6 (G 1/4), Alu | 6 = DN20 (NPT 1"), Alu |
| 1 = DN12 (G 1/2), Alu | 7 = DN3 (G 1/8), Ms |
| 2 = DN20 (G 1), Alu | 8 = DN6 (G 1/4), Ms |
| 3 = DN6 (ISO 1), Alu | 9 = DN3 (NPT 1/8), Ms |
| 4 = DN6 (NPT 1/4"), Alu | A = DN6 (NPT 1/4"), Ms |
| 5 = DN12 (NPT 1/2"), Alu | C = DN6 (G 1/4), VA |
| | H = DN6 (G 1/4), Ms ²⁾ |

S: SETPOINT

- 0 = 0 ... 10 Volt
- 1 = 0 ... 20 mA
- 2 = 4 ... 20 mA

I: FEEDBACK

- 1 = Feedback output 0 ... 10 Volt
- 2 = Feedback output 0 ... 20 mA
- 3 = Feedback output 4 ... 20 mA
- 4 = Feedback input 0 ... 10 Volt³⁾
- 5 = Feedback input 0 ... 20 mA³⁾
- 6 = Feedback input 4 ... 20 mA³⁾

PP: PRESSURE RANGE

Relative pressure	Max. allowable pressure (bar)	Vacuum (relative) V3 = 0 ... -1 bar
40 = 0 - 100 mbar	2	Shut-off valve
50 = 0 - 500 mbar	2	
60 = 0 - 1 bar	2	
02 = 0 - 2 bar	3	
03 = 0 - 3 bar	8	
05 = 0 - 5 bar	8	
06 = 0 - 6 bar	12	
10 = 0 - 10 bar	12	
12 = 0 - 12 bar	14	
16 = 0 - 16 bar ¹⁾	18	
20 = 0 - 20 bar ¹⁾	22	
3H = 0 - 30 bar ²⁾	40	
5H = 0 - 50 bar ²⁾	60	
V3 = 0 - (-1) bar		

D: DIGITAL OUTPUT

- 1 = Pressure switch output
PNP ± 5 %

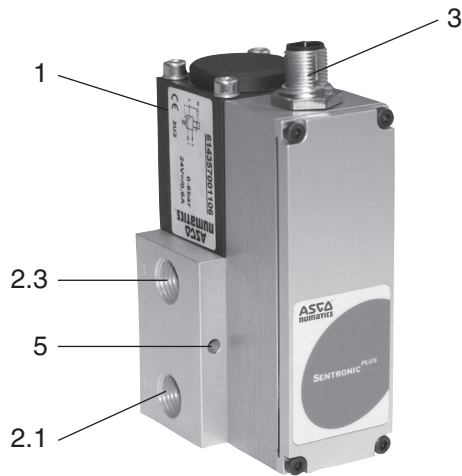
Notes:

¹⁾ Only for DN3 and DN 6

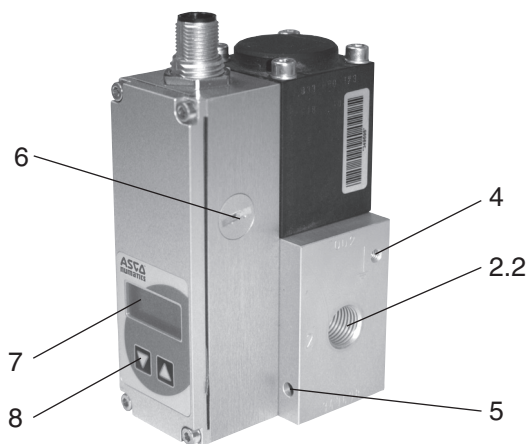
²⁾ Only for DN6, Ms

³⁾ Only for 614357..., not for 614359...
Other versions available on request.

1.2 OPERATING ELEMENTS



- 1 Proportional solenoid coil
- 2.1 Pressure supply
- 2.2 Pressure outlet
- 2.3 Exhaust
- 3 Power supply, M12 connector or 7-pin DIN connector
- 4 Ground connection M4
- 5 Mounting hole
- 6 Serial communication RS232 (PC connection)
- 7 LC display
- 8 2 pushbuttons



1.3 OPERATING MODES

Shut-off:

If the setpoint falls below 0.5 %, the coil current is switched off and the valve is fully exhausted.

Overtemperature:

If the temperature of the internal control electronics exceeds 100°C, the operating mode is switched to AUTOSAFE.

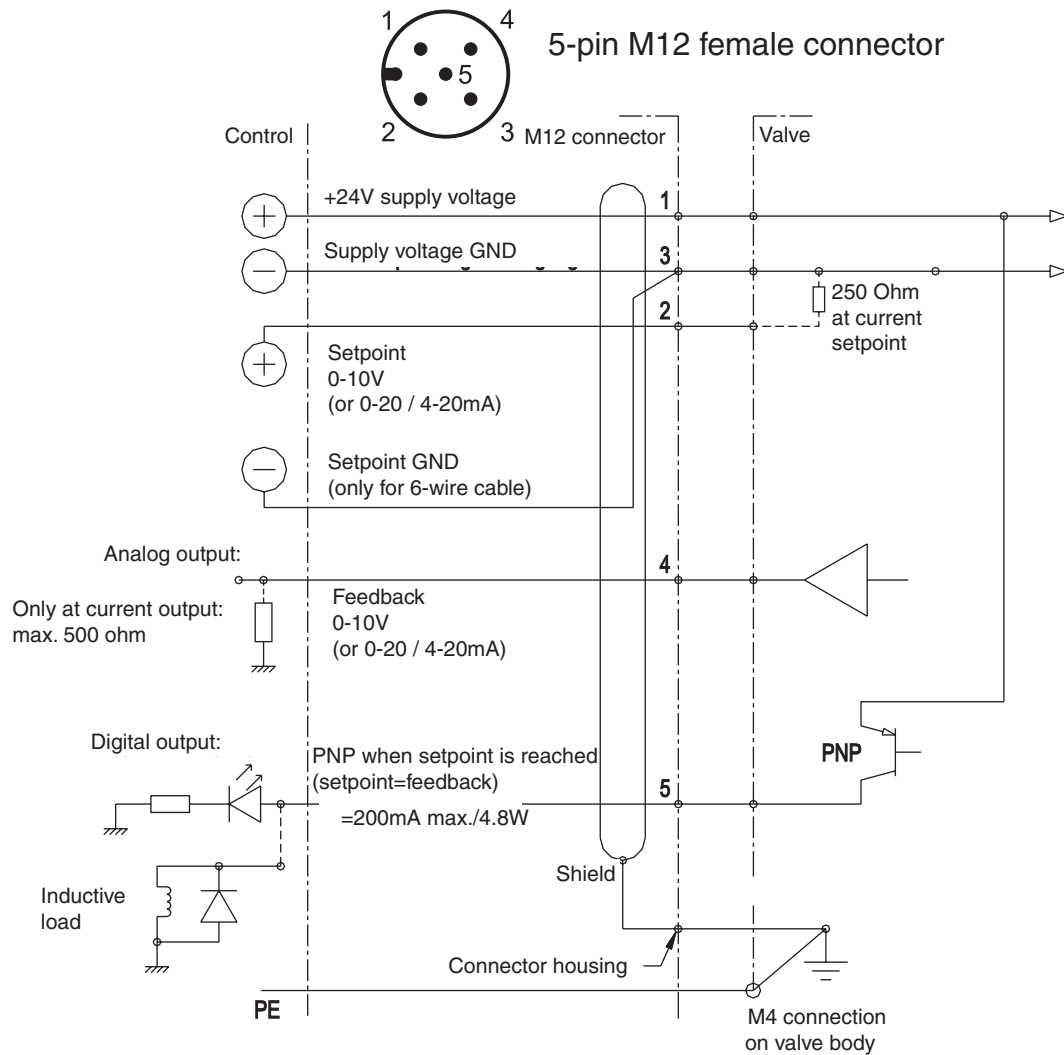
Undervoltage / overvoltage:

If the supply voltage is less than 18 V or more than 30 V, the coil current is switched off and the valve is fully exhausted..

Autosafe:

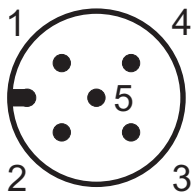
If the coil current exceeds a certain value, dependent on the mechanics, for more than 20 seconds, the output current is limited to max. 70% to prevent the valve from overheating.

2. ELECTRICAL CONNECTION



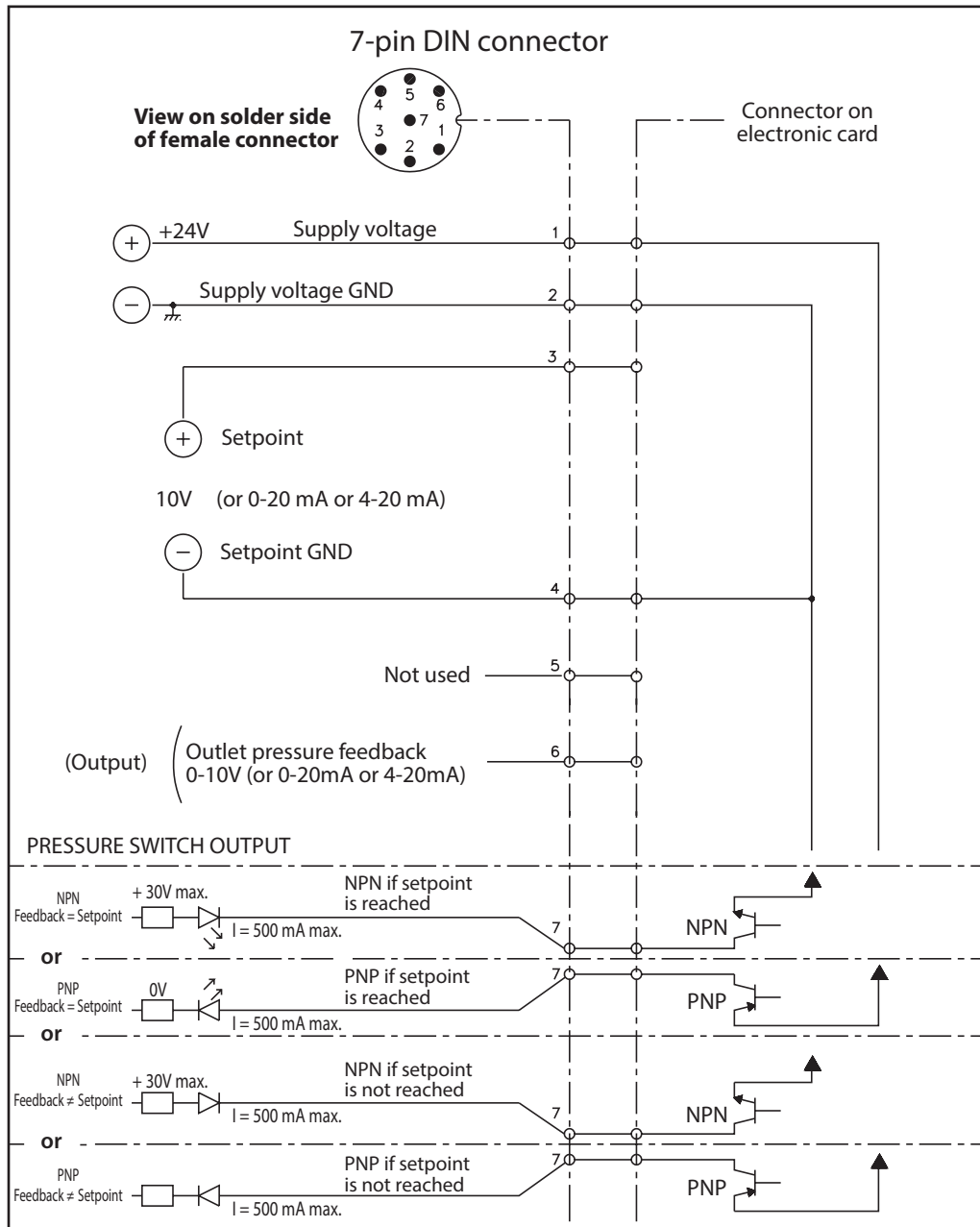
- 1) The valve must only be supplied with 24V DC $\pm 10\%$ and a max. ripple of 10% (no supply via diode bridge). Overvoltage or a ripple rate exceeding these tolerances can damage the electronics.
- 2) The max. current at the digital output is 200 mA/4.8W (PNP output). The output is protected against short circuit and overload.
- 3) If a relay (inductive load) is connected to the pressure switch output, a freewheel diode or a varistor must be used.
- 4) A shielded cable must be used for protection against interference and EMC.
- 5) The valve body must be grounded with the earthing terminal PE (dia. M4)

CONNECTOR PINNING / CABLE WIRING



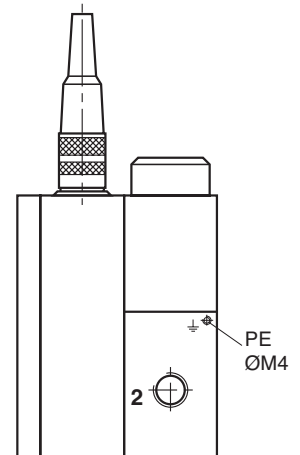
Pin	Description	5-wire cable	6-wire cable
1	24V voltage supply	brown	brown
2	Analog setpoint input	white	white
3	Supply ground	blue	green
	Analog ground *		yellow
4	Analog output (feedback)	black	pink
5	Digital output (pressure switch)	grey	grey
Body	EMC screen	shield	shield

* A 6-wire cable with separate analog ground is used for cable lengths over 2 m to set off the voltage drop for the setpoint.



CAUTION - BE SURE TO FOLLOW THESE INSTRUCTIONS!

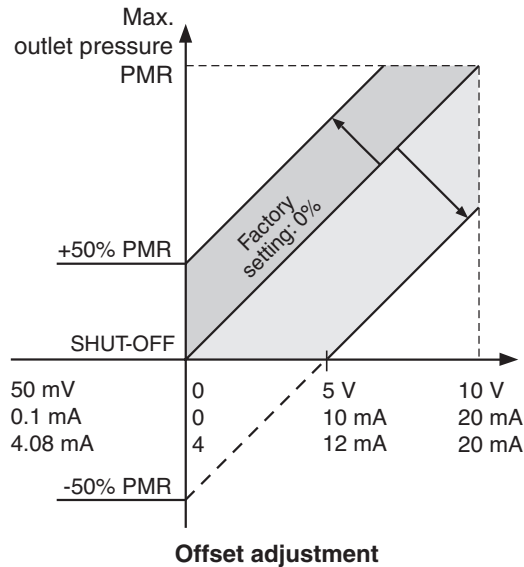
- 1) The coil must only be supplied with 24 V DC $\pm 10\%$ and a max. ripple of 10 % (no supply via diode bridge). Overvoltage or a ripple rate exceeding 10 % can damage the electronics.
- 2) The max. current at pin 7 is 500 mA (NPN/PNP output). Pin 7 is protected against short circuit and overload.
- 3) If a relay (inductive load) is connected to the pressure switch output, a freewheel diode or a varistor must be used.
- 4) Do not solder **unused** pins on the connector.
- 5) In case of an interruption in the pressure supply, shut off the power supply (+24V) or switch the set point to zero to avoid excessive heating of the coil.
- 6) Grounding for personal protection must be done at the PE terminal ($\varnothing M4$) on the body (see diagramme opposite).
- 7) Use a shielded cable for EMC protection. Connect the shield to ground and to the connector body.



3. ANALOG SETPOINT - OUTLET PRESSURE

Setpoint offset

The pressure setpoint zero can be changed via the *DaS* software. Switch to "Custom" in the "Setpoint setting" section. The zero range is max. -50 ... +100 %.



Max. outlet pressure PMR (bar)	Max. inlet pressure MAP (bar)
0 - 100 mbar	2
0 - 500 mbar	2
0 - 1 bar	2
0 - 2 bar	3
0 - 3 bar	8
0 - 5 bar	8
0 - 6 bar	12
0 - 10 bar	12
0 - 12 bar	14
0 - 16 bar ¹⁾	18
0 - 20 bar ¹⁾	22
0 - 30 bar ²⁾	40
0 - 50 bar ²⁾	60

¹⁾ For DN3 and DN6 only.

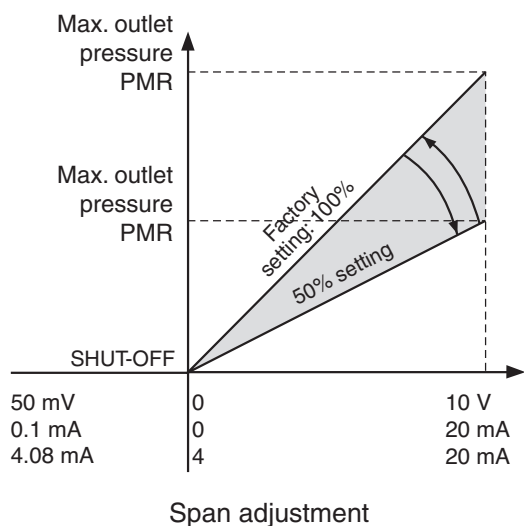
²⁾ For DN6, Ms, only.

CAUTION: Outlet pressures above the maximum outlet pressure (PMR) are not controlled by the valve, i.e. the max. outlet pressure is limited to the PMR.

In order to avoid damaging the sensor, **the supply pressure must always be less than the maximum inlet pressure (MAP)** (see Table).

Setpoint span

The pressure span of the setpoint can be changed via the *DaS* software. Switch to "Custom" in the "Setpoint setting" section. The span is between +10 and +150 %.



The span can be set to max. 100% of the maximum outlet pressure (PMR). It can only be decreased.

4. PNEUMATIC CONNECTION

The air flow is from port 1 to port 2.



Inch screw connections (pipe threads) must be used.

Each screw connections must be lined with a fitting synthetic sealing disc.

Do not use Teflon sealing tape or hemp as they may get inside the valve and damage it.

Use an appropriate silencer at port (3). The exhaust time may vary depending on the type of silencer used.

The diameter of the pneumatic lines must be adjusted to the nominal diameter of the valve. The diameter of outlet line (2) must be larger or equal to that of inlet line (1).

The supply pressure must always be less than the value given in the table in section 3 and must always be above the desired outlet pressure.

5. TECHNICAL CHARACTERISTICS

CONSTRUCTION

Directly operated valve

Body: Aluminium

Internal parts: POM

Seals: Nitrile (NBR), fluorelastomer (FPM)

Degree of protection: IP65

Safety code: Ex II 2D Ex tb IIIC T135 °C Db

Ex II 3G Ex nA IIC T4 Gc

$0 \leq T_a \leq +50 \text{ °C}$

EC type examination certificate no.: IBExU07ATEX1173

INSTALLATION

Assembly position: any; for optimum performance vertically with solenoid at the top.

Air: filtered at 50 μm , free of condensate

Connections: without hemp or Teflon sealing tape

Electrical connection: Select a wire section that will give a voltage drop of less than 2 volts at 2A.

5.1 FLUID CHARACTERISTICS

FLUIDS : Air or neutral gas, filtered at 50 μm , free of condensate, lubricated or not

PORTS : G1/8-G1/4-G1/2-G1

MAX. INLET PRESSURE : see section 1.1

TEMPERATURE / FLUID : 0...60 °C

TEMPERATURE / AMBIENT : 0...50 °C

HYSTERESIS : <1% of span

LINEARITY : <0,5% of span

REPEATABILITY : <0,5% of span

MINIMUM SETPOINT : 50mV (0,1 mA/4,08mA) with shut-off function

MINIMUM OUTLET PRESSURE : 1% of span

5.2 SPECIFICATIONS

Nominal diameter DN (mm)	Supply voltage ⁽¹⁾ (stabilised)	Max. power (W)	Max. current (mA)	Insulation class	Degree of protection	Flow ⁽²⁾		Electrical connections
						K _v (Nm ³ /h)	at 6 bar (l/min ANR)	
3	24 V= +/-10%	12	500	F	IP 65	0,18	210	5-pin female M12 connector or 7-pin female DIN connector
6		24	1000			0,60	700	
12		34	1400			1,20	1400	
20		44	1800			4,80	5600	

(1) Residual ripple: 10 %

(2) Test conditions according to ISO 8778: temperature: 20 °C, relative inlet pressure: 6 bar, relative outlet pressure: 5 bar

Setpoint input	: 0 ... 10 V (100 kOhm input resistance) 0 ... 20 mA / 4 ... 20 mA (250 Ohm input resistance)
Feedback output	: 0 ... 10 V (max. 10 mA), short-circuit protected 0 ... 20 mA / 4 ... 20 mA (max. 24 VDC)
Digital output	: pnp; open collector; max. 200 mA/4.8W, short-circuit protected HIGH (24 VDC) if feedback=setpoint LOW (open) if feedback≠setpoint

INSTALLATION AND OPERATING INSTRUCTIONS

- Before putting into operation carefully check all electrical connections and the supply voltage (24 VDC ±10 %). Overload can destroy the electronics. Recommended pre-fuse T2.0 A.
- The electrical connection is made with a round connector M12x1. The connector must meet the requirements of DIN 60079-15. The product was tested with connector catalogue no. 88100729.

In order to ensure conformity with ATEX Directive 2014/34/EU, the product must be installed in such a manner as to protect the electrical connector from mechanical stress.

WARNING:

Do not disconnect the connector while under voltage!

When disconnected from power, use supplied protection cover to ensure IP protection.

- Use shielded cables for the electrical connection of the valve. The shield, connector and control cabinet must be EMC compliant. The valve body must be electrically connected to ground (PE, machine ground). Do not run control cables parallel to high-voltage lines, servo-motor control cables etc.
- Min. wire cross-section of supply voltage cable: 0.50 mm².
For longer cabling distances use larger cross-section cables as required.
- Make sure that the valve is under pressure when a setpoint signal is applied to the valve (applying a setpoint signal with no pressure on the valve will cause it to overheat).
- The valve is factory adjusted.
- The product must be returned to the factory for repair.

WARNING NOTES

These products are intended for use in industrial compressed air systems only. Do not use these products where pressures and temperatures can exceed those listed under SPECIFICATIONS. Please also see the corresponding product specification sheets.

Before using these products with fluids other than those specified, for non-industrial applications, life-support systems, or other applications not within published specifications, consult ASCO Numatics.

Through misuse, age, or malfunction, components used in fluid power systems can fail in various modes.

The system designer is warned to consider the failure modes of all component parts used in fluid power systems and to provide adequate safeguards to prevent personal injury or damage to equipment in the event of such failure.

System designers must provide a warning to end users in the operating manual if protection against a failure mode cannot be adequately ensured.

System designers and end users are cautioned to review specific warnings found in instruction sheets packed and shipped with these products.

6. ACCESSORIES

description	catalogue number
Straight M12 female connector, 5 pins, with screw terminals	88100256
Right-angle M12 female connector, 5 pins, with screw terminals	88100725
Supply cable 2 m, 2 x 0,25 mm ² , straight connector	88100726
Supply cable 2 m, 2 x 0,25 mm ² , right-angle connector	88100727
Supply cable 5 m, 6 x 0,56 mm ² , straight connector	88100728
Supply cable 5 m, 6 x 0,56 mm ² , right-angle connector	88100729
Supply cable 10 m, 6 x 0,56 mm ² , straight connector	88100730
Supply cable 10 m, 6 x 0,56 mm ² , right-angle connector	88100731
RS 232 cable converter; 2m cable with 9-pin Sub-D (plug connector)	88100732
RS 232 cable converter; 2 m cable with 9-pin Sub-D (screw connector)	88100970
DaS 5.00, Data Acquisition Software für SENTRONIC^{PLUS}	Available for download at www.asconumatics.eu

7. MAINTENANCE AND CARE

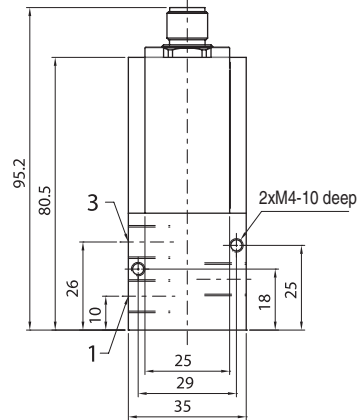
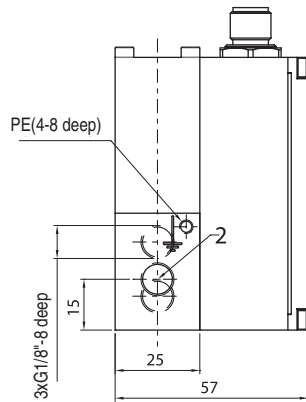
No special maintenance or care required.

8. DIMENSIONS (mm), WEIGHT (kg)

SENTRONIC^{PLUS} - Digital electronic pressure regulator valve with M12 connection

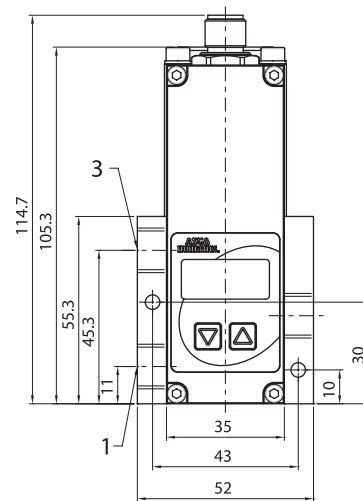
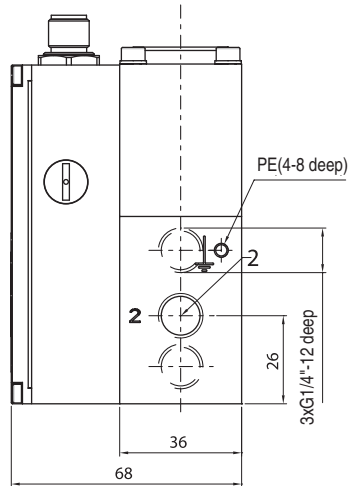
G 1/8

Weight: 0,550 kg



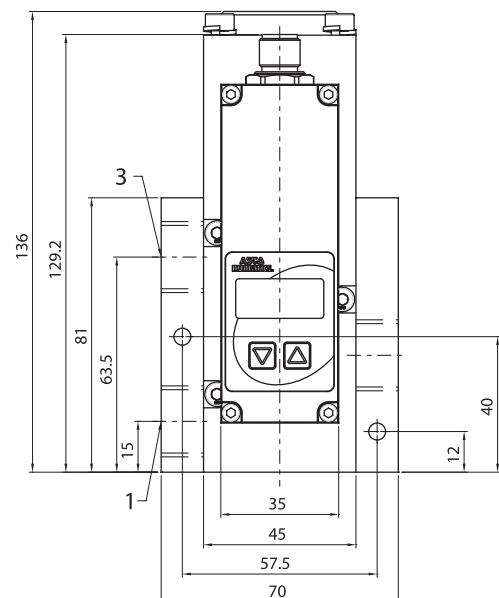
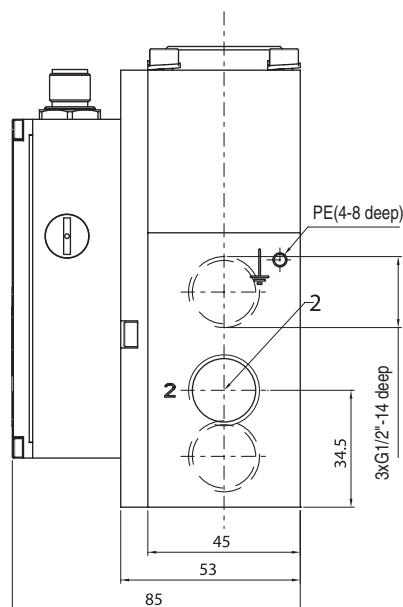
G 1/4


Weight: 0,850 kg



G 1/2

Weight: 1,650 kg

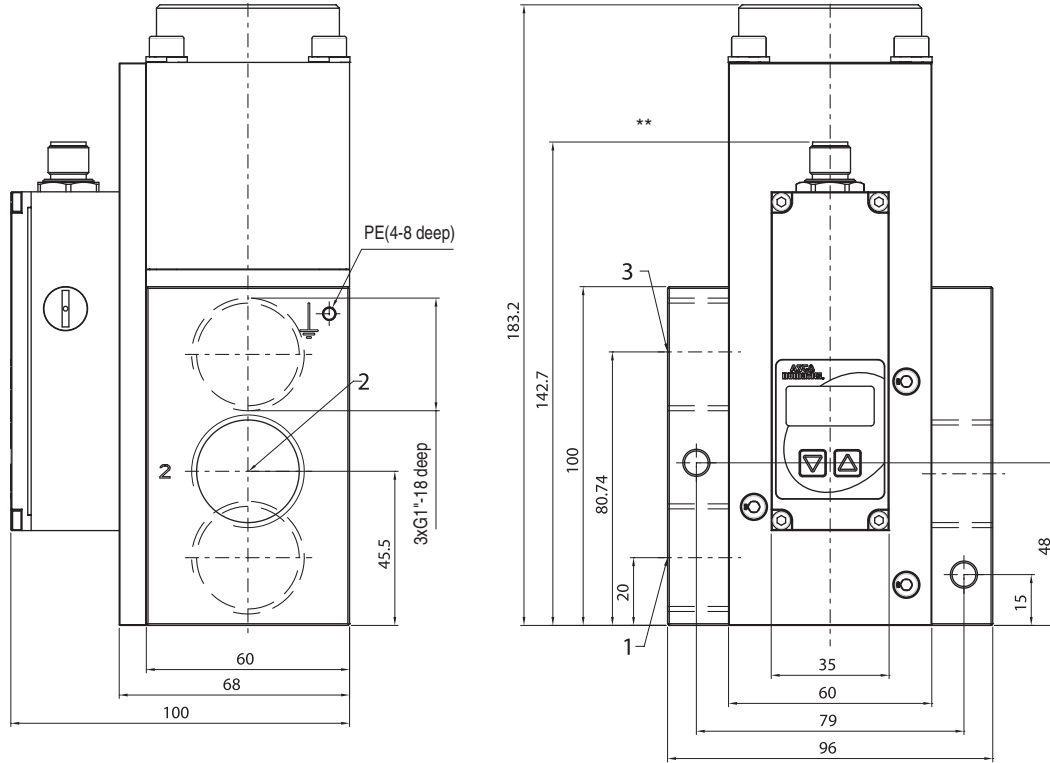


8. DIMENSIONS (mm), WEIGHT (kg) 

SENTRONIC^{PLUS} - Digital electronic pressure regulator valve with M12 connection

G 1

Weight: 3,400 kg

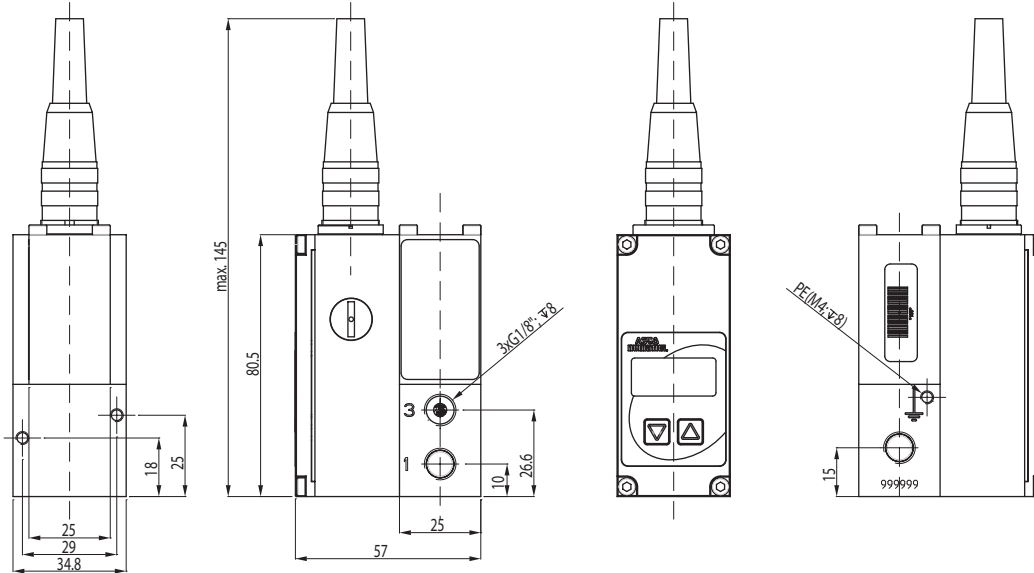


8. DIMENSIONS (mm), WEIGHT (kg)

SENTRONIC^{PLUS} - Digital electronic pressure regulator valve with 7-pin DIN connector

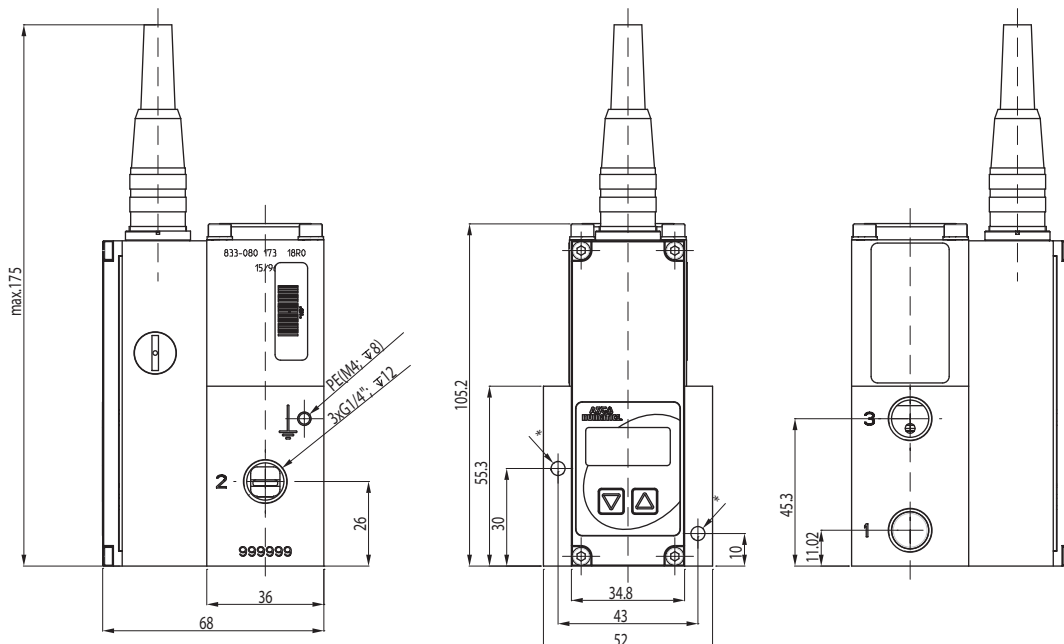
G 1/8


Weight: 0,550 kg



G 1/4

Weight: 0,850 kg

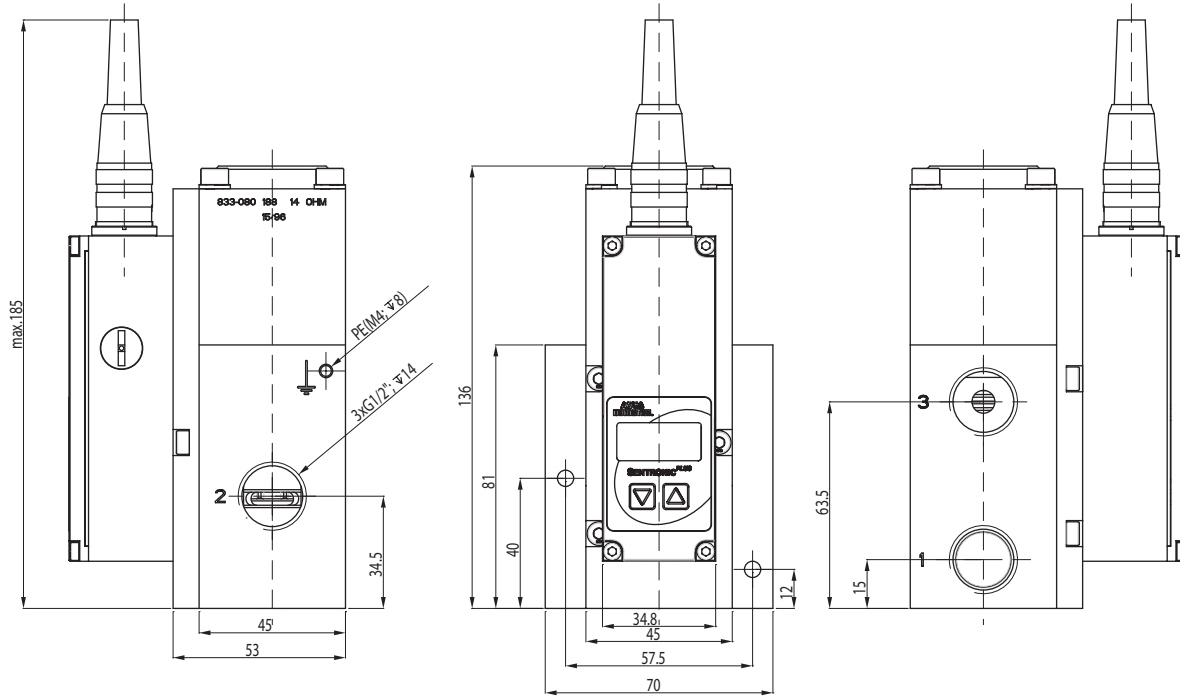


8. DIMENSIONS (mm), WEIGHT (kg) 

SENTRONIC^{PLUS} - Digital electronic pressure regulator valve with 7-pin DIN connector

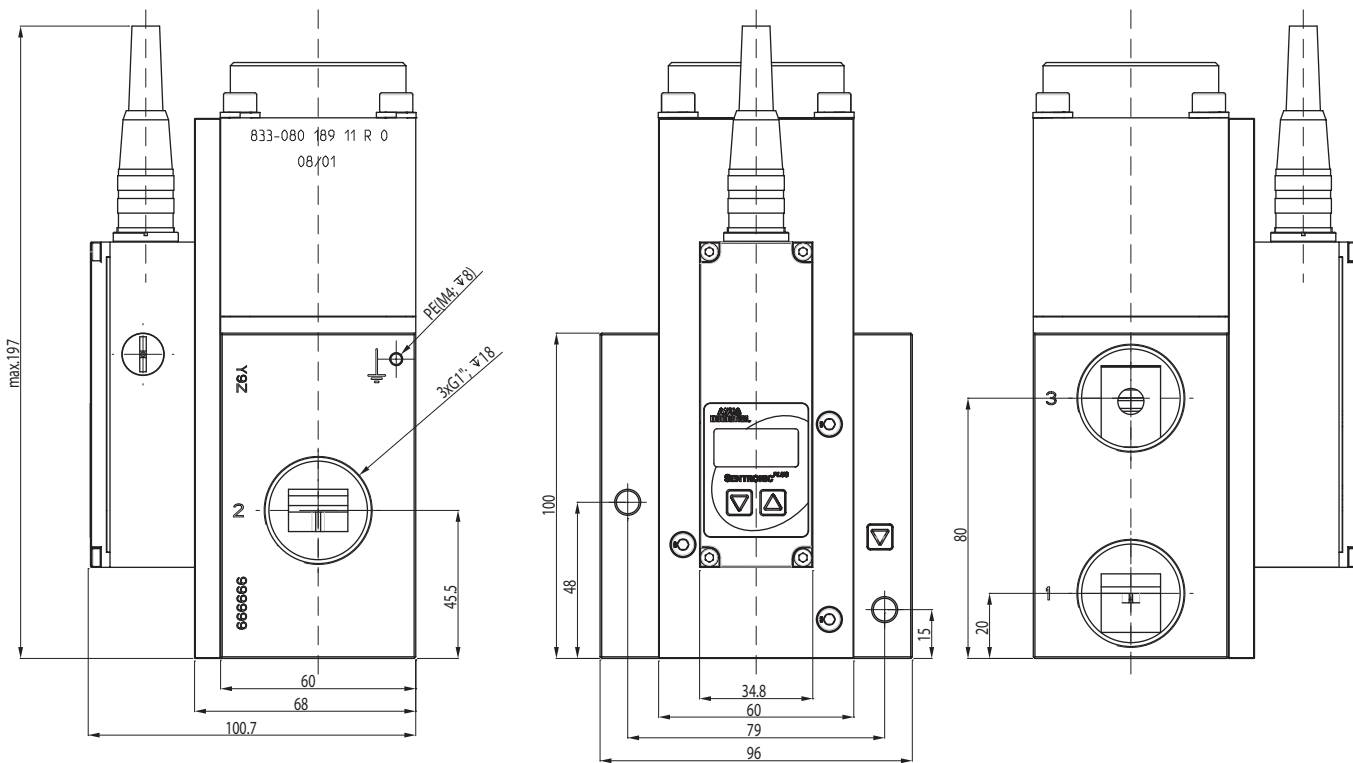
G 1/2

Weight: 1,650 kg



G 1

Weight: 3,400 kg



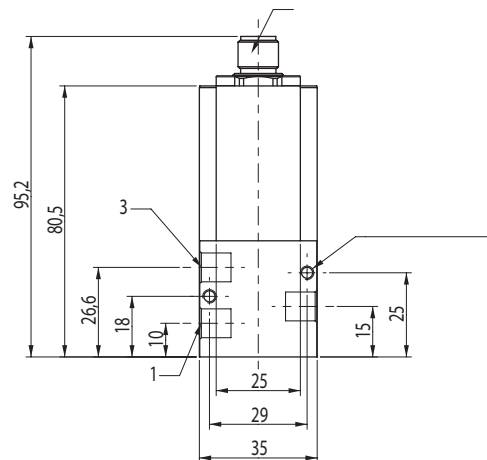
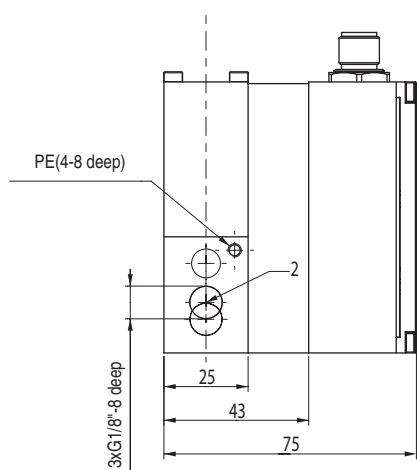
INSTALLATION

8. DIMENSIONS (mm), WEIGHT (kg)

SENTRONIC^{PLUS} - with external pressure supply and M12 connection

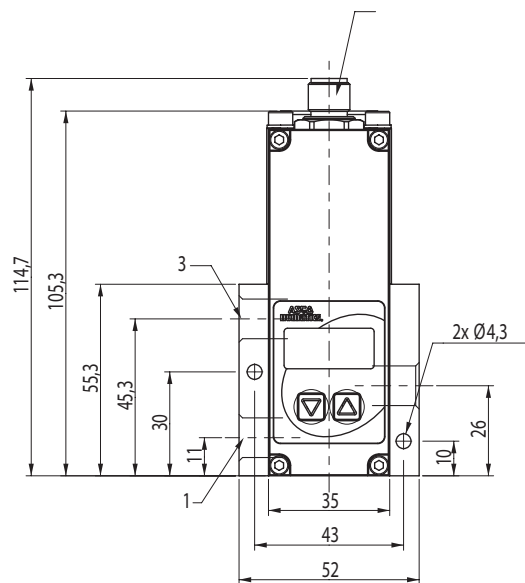
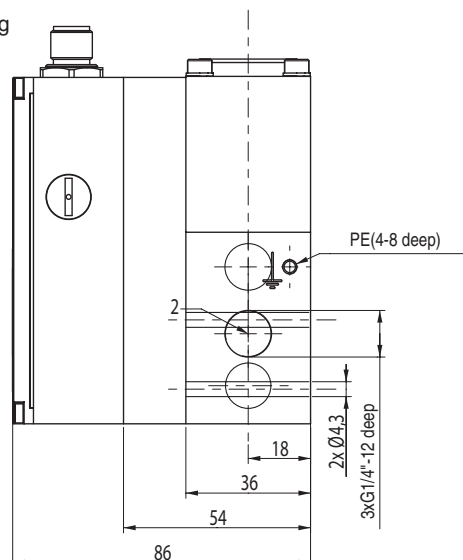
G 1/8

Weight: 0,700 kg



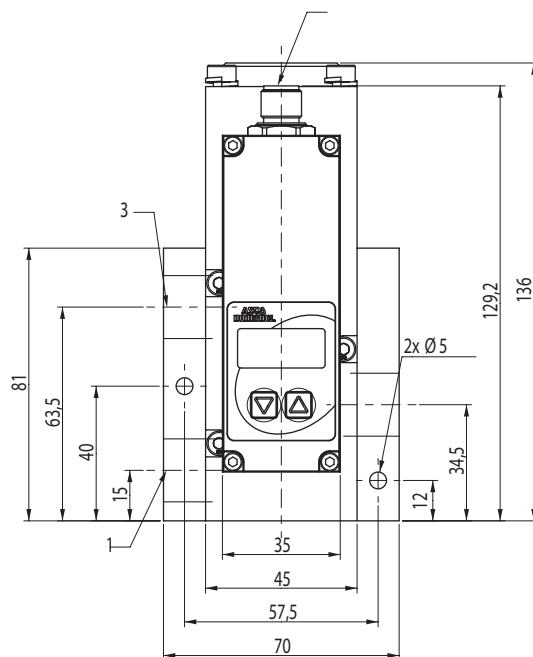
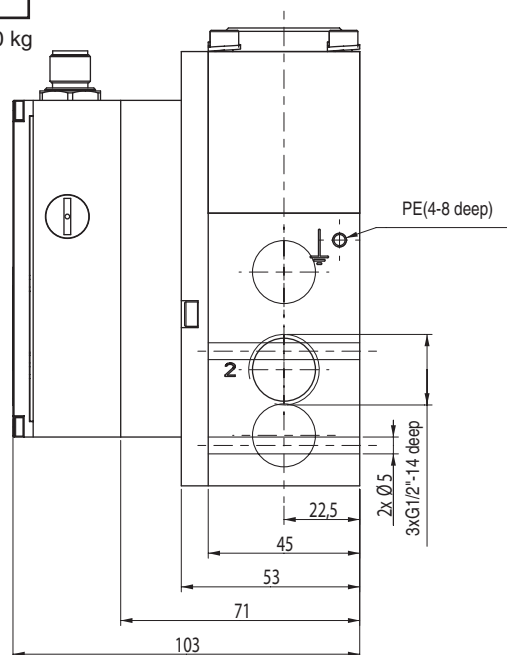
G 1/4

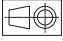
Weight: 1,000 kg



G 1/2

Weight: 1,800 kg

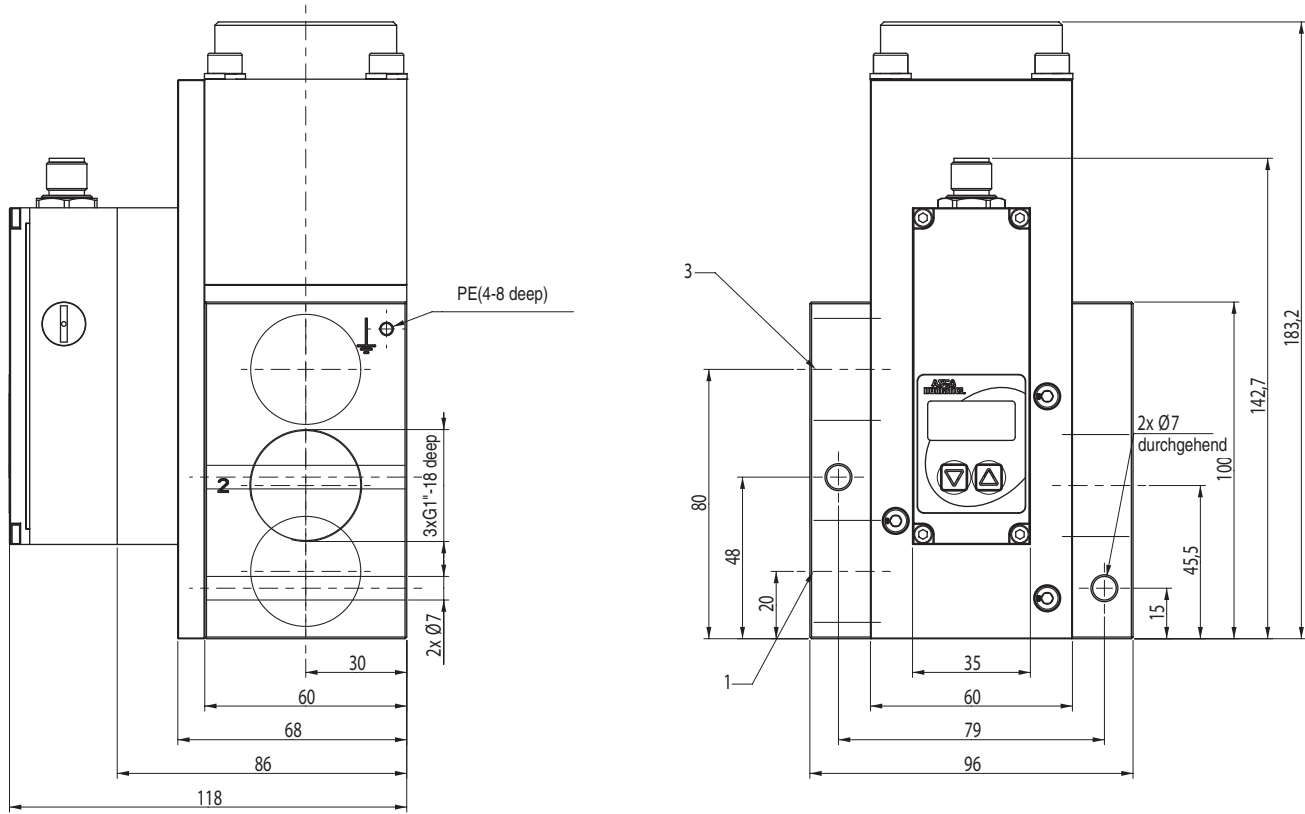


8. DIMENSIONS (mm), WEIGHT (kg) 

SENTRONIC^{PLUS} - with external pressure supply and M12 connection

G 1

Weight: 3,550 kg



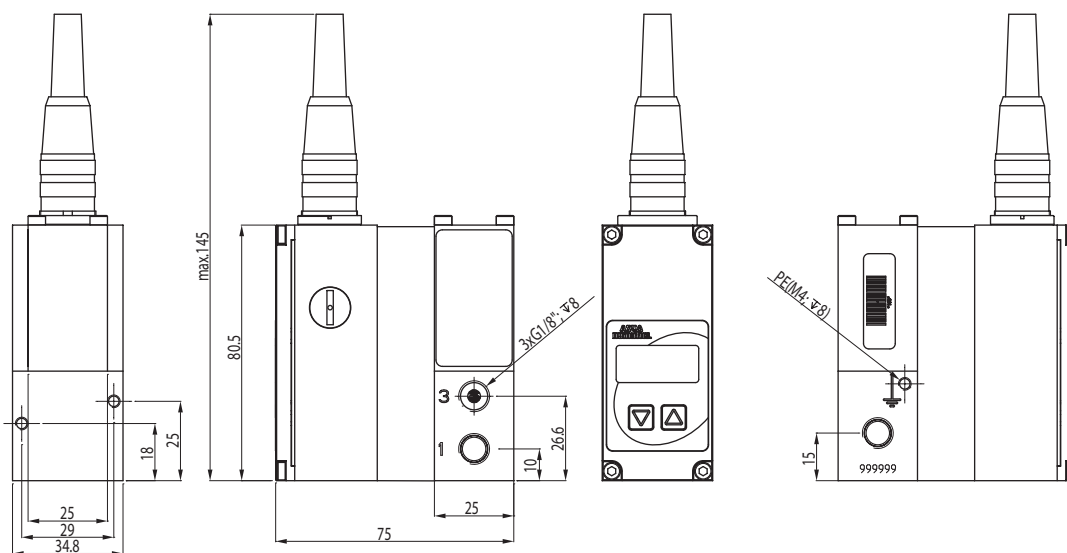
INSTALLATION

8. DIMENSIONS (mm), WEIGHT (kg)

SENTRONIC^{PLUS} - with external pressure supply and 7-pin DIN connector

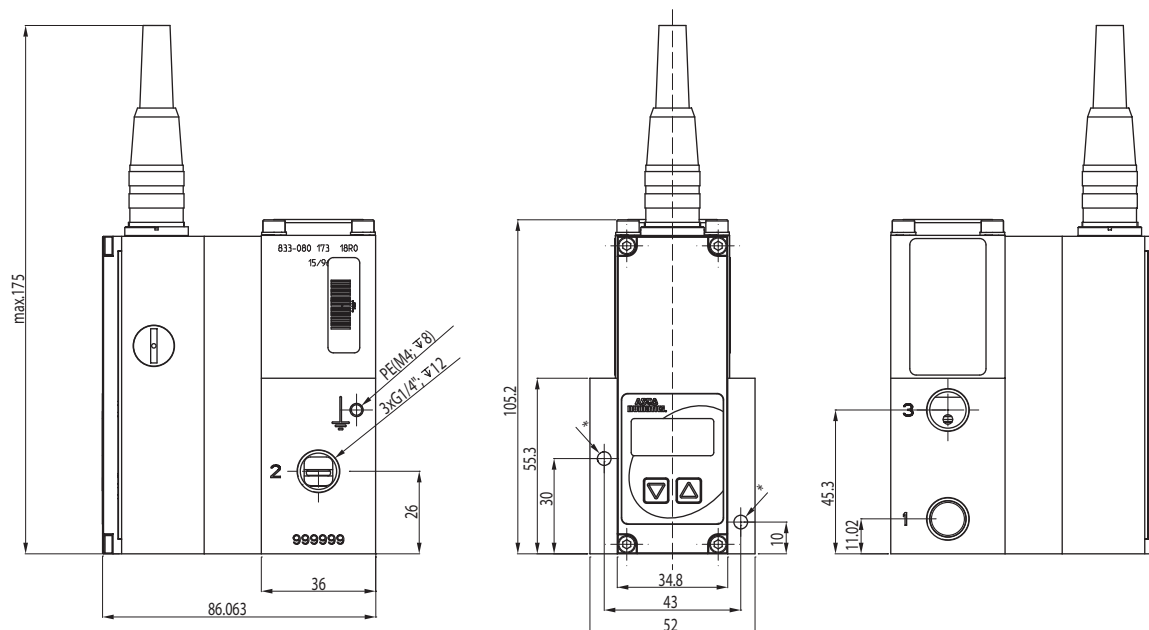
G 1/8


Weight: 0,700 kg



G 1/4

Weight: 1,000 kg

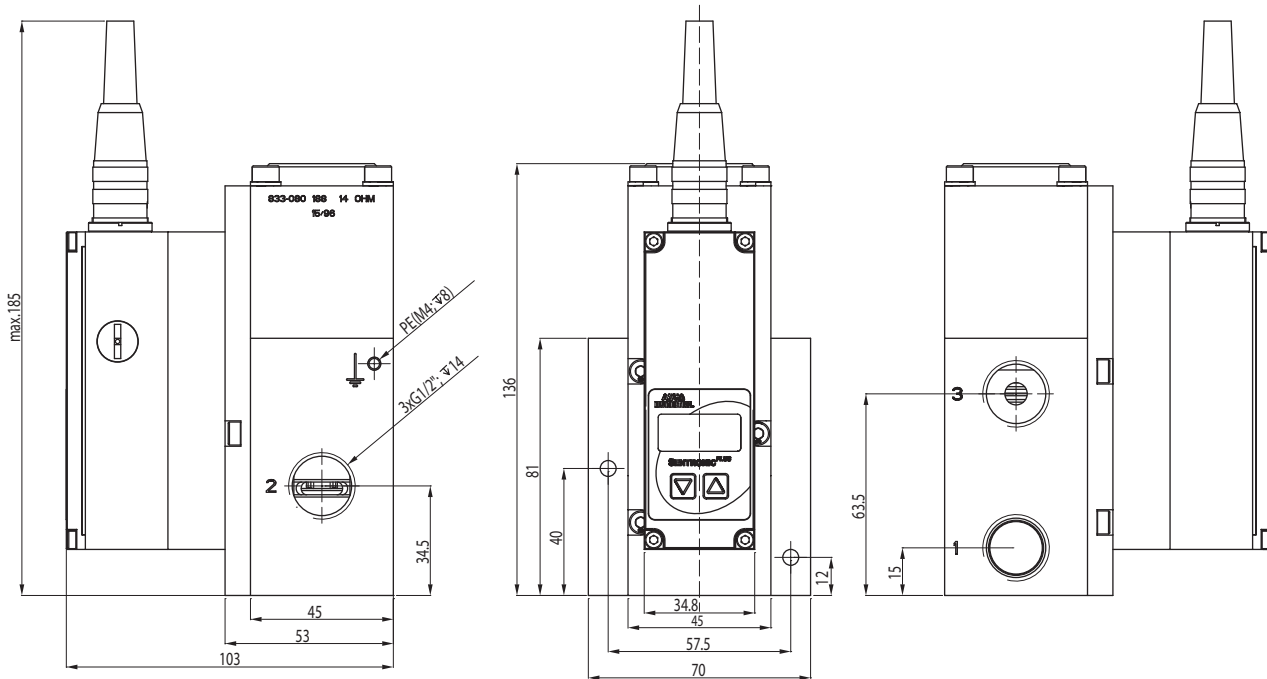


8. DIMENSIONS (mm), WEIGHT (kg) 

SENTRONIC^{PLUS} - with external pressure supply and 7-pin DIN connector

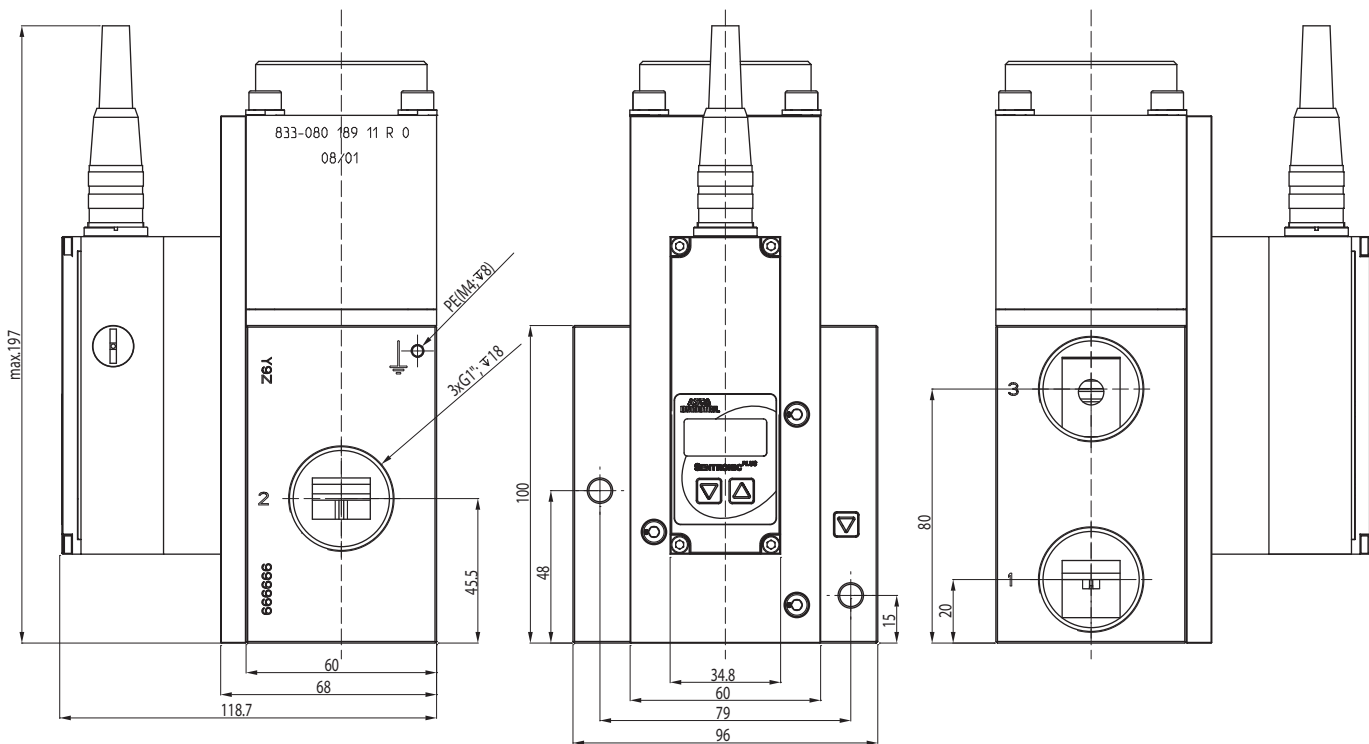
G 1/2

Weight: 1,800 kg



G 1

Weight: 3,550 kg



Availability, design and specifications are subject to change without notice. All rights reserved.

Régulateur de pression numérique

SENTRONIC^{PLUS}

Série 614



Manuel d'installation

IM14229-FR/R04
(3835192-B)

ASCATM

FR

SOMMAIRE

1.	Description	21
1.1	Code	21
1.2	Composants de fonctionnement	22
1.3	Modes de fonctionnement.....	22
2.	Raccordement électrique	23
3.	Consigne analogique - Pression de sortie	25
4.	Raccordement pneumatique	26
5.	Caractéristiques techniques.....	26
5.1	Caractéristiques fluides.....	26
5.2	Spécifications.....	27
6.	Accessoires.....	28
7.	Maintenance et entretien.....	28
8.	Encombrements et masses	11



ATTENTION
RESPECTER LES PRECAUTIONS
DE MANIPULATION
DES PRODUITS SENSIBLES
AUX DECHARGES
ELECTROSTATIQUES

Ce produit contient des composants électroniques sensibles aux décharges électrostatiques. Tout contact des connexions par une personne ou un objet chargé d'électricité statique pourrait entraîner la mise en panne ou la destruction de l'appareil. Pour réduire les risques de décharges électrostatiques, veuillez respecter les recommandations et précautions de manipulation définies par la norme EN100 015-1, avant toute intervention sur ce produit. Ne jamais brancher ou débrancher l'appareil lorsqu'il est sous tension.



ATTENTION! Des conditions d'exploitation dangereuses peuvent se développer en utilisant l'interface de programmation sur la vanne étant donné que la vanne ne réagira éventuellement plus à la consigne analogique appliquée. Assurer une protection contre des mouvements incontrôlés de l'équipement lors de la mise en service de la vanne et avant d'effectuer des modifications sur les réglages de la vanne.

Par la présente nous déclarons que le produit décrit dans ce manuel d'installation, est destiné pour être installé dans une machine ou à être assemblé à une autre machine: Toutefois il est interdit de mettre le produit en fonctionnement tant que la machine dans laquelle il est destiné à être incorporé ou l'ensemble de machines solidaires auquel il doit être assemblé n'aura pas été déclaré conforme aux dispositions de la Directive Machines 2006/42/CE.

Toutes opérations de manutention, d'installation et de mise en service, ainsi que la mise au point et le réglage doivent être effectués uniquement par un personnel qualifié et autorisé.



Ce produit est conforme aux exigences essentielles de la Directive 2014/30/UE sur la Compatibilité Electromagnétique, et amendements. Une déclaration de conformité peut être fournie sur simple demande. Veuillez nous indiquer les références ou codes des produits concernés.

NOTES

Les informations contenues dans le présent manuel sont susceptibles d'être modifiées sans préavis.

ASCO NUMATICS ne peut être tenu responsable des omissions techniques ou rédactionnelles, ni des dommages accidentels ou consécutifs à la fourniture ou l'utilisation du présent document.

LE PRESENT MANUEL CONTIENT DES INFORMATIONS PROTEGEES PAR COPYRIGHT, AUCUNE PARTIE DU PRESENT DOCUMENT NE PEUT ETRE PHOTOCOPIEE OU REPRODUITE SOUS QUELQUE FORME QUE CE SOIT SANS AUTORISATION ECRITE PREALABLE DE ASCO NUMATICS.

COPYRIGHT © 2016 - ASCO NUMATICS - Tous droits réservés.

1. DESCRIPTION

SENTRONIC^{PLUS} à boucle de régulation interne numérique associe une technologie pneumatique innovante et une électronique intégrée. Cette série de distributeurs permet de réguler avec précision les valeurs de pression, débit, force, vitesse, et de positionnement linéaire ou angulaire. La série de vannes **SENTRONIC^{PLUS}** vient compléter la série **SENTRONIC^D**.

La **SENTRONIC^{PLUS}** est disponible en 14 plages de pression standard allant de 100 mbar à 50 bar. La gamme comprend quatre diamètres nominaux pour couvrir une large plage de débit. Les versions en divers matériaux de corps et de garnitures d'étanchéité sont destinées à être utilisées dans les domaines les plus divers, dont l'industrie agro-alimentaire, la technologie médicale ...

La régulation en double boucle (cascade) permet de réaliser des boucles de régulation complexes via le logiciel **DaS** (Data Acquisition Software). La commande numérique offre maintes avantages lors de l'installation et de la mise en service ainsi que des possibilités étendues d'adapter la **SENTRONIC^{PLUS}** aux applications les plus diverses..

- Les diamètres des passages sont équivalents sur la voie d'alimentation en pression comme sur celle d'échappement assurant ainsi des temps de réponse très courts tant en augmentation qu'en réduction de pression.
- Contrôle de la pression numérique en boucle fermée : Un capteur de pression interne compare la valeur de pression de consigne à la pression de sortie. La pression de sortie est régulée en temps réel.
- Les paramètres peuvent être changés avec le logiciel optionnel **DaS** (à partir de la version 5.00). Le **programme DaS** (Logiciel d'Acquisition de Données ou Data Acquisition Software) permet de modifier tous les paramètres de régulation de la vanne. Cette flexibilité permet d'adapter la vanne aux applications les plus variées et permet l'optimisation du temps de réponse, de l'overshoot et de la précision.
- Après avoir réglé les paramètres optimaux, vous pouvez les sauvegarder dans un fichier de projet pour votre utilisation personnelle ou les envoyer à notre Support Technique pour une future production en série .
- La version à connecteur M12 sans affichage est certifiée ATEX :

⊕ II 2D Ex tb IIIC T135 °C Db

⊕ II 3G Ex nA IIC T4 Gc

0 ≤ Ta ≤ +50 °C

N° de l'attestation CE de type : IBExU07ATEX1173

1.1 CODE

SENTRONIC^{PLUS} - vanne régulatrice de pression

6 1 4 3 5 7 B A S I D P P

SENTRONIC^{PLUS} - avec alimentation pneumatique externe

6 1 4 3 5 9 B A S I D P P

B: PANNEAU DE COMMANDE

- D = M12 avec affichage - non anti-déflagrant
- E = M12 sans affichage - anti-déflagrant (ATEX)
- F = DIN-Leitungsdose, 7 broches, avec affichage - non anti-déflagrant
- G = DIN-Leitungsdose, 7 broches, sans affichage - non anti-déflagrant

A: VERSION (raccordement), corps

- | | |
|--------------------------|-----------------------------------|
| 0 = DN6 (G 1/4), Alu | 6 = DN20 (NPT 1"), Alu |
| 1 = DN12 (G 1/2), Alu | 7 = DN3 (G 1/8), Ms |
| 2 = DN20 (G 1), Alu | 8 = DN6 (G 1/4), Ms |
| 3 = DN6 (ISO 1), Alu | 9 = DN3 (NPT 1/8), Ms |
| 4 = DN6 (NPT 1/4"), Alu | A = DN6 (NPT 1/4"), Ms |
| 5 = DN12 (NPT 1/2"), Alu | C = DN6 (G 1/4), VA |
| | H = DN6 (G 1/4), Ms ²⁾ |

S: CONSIGNE

- 0 = 0 ... 10 Volt
- 1 = 0 ... 20 mA
- 2 = 4 ... 20 mA

I: VALEUR INSTANTANEE

- 1 = Sortie de valeur instantanée 0 ... 10 Volt
- 2 = Sortie de valeur instantanée 0 ... 20 mA
- 3 = Sortie de valeur instantanée 4 ... 20 mA
- 4 = Entrée de valeur instantanée 0 ... 10 Volt³⁾
- 5 = Entrée de valeur instantanée 0 ... 20 mA³⁾
- 6 = Entrée de valeur instantanée 4 ... 20 mA³⁾

PP: PLAGES DE RÉGULATION (PMR)

Pression relative	pression maxi admissible (bar)	vide (relatif) V3 = 0 ... -1 bar vanne d'isolement
40 = 0 - 100 mbar	2	
50 = 0 - 500 mbar	2	
60 = 0 - 1 bar	2	
02 = 0 - 2 bar	3	
03 = 0 - 3 bar	8	
05 = 0 - 5 bar	8	
06 = 0 - 6 bar	12	
10 = 0 - 10 bar	12	
12 = 0 - 12 bar	14	
16 = 0 - 16 bar ¹⁾	18	
20 = 0 - 20 bar ¹⁾	22	
3H = 0 - 30 bar ²⁾	40	
5H = 0 - 50 bar ²⁾	60	
V3 = 0 - (-1) bar		

D: SORTIE NUMÉRIQUE

- 1 = Sortie pressostat
PNP ± 5 %

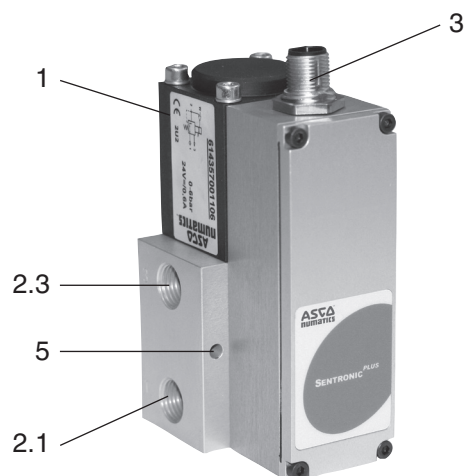
Notes:

¹⁾ Uniquement pour DN3 et DN6

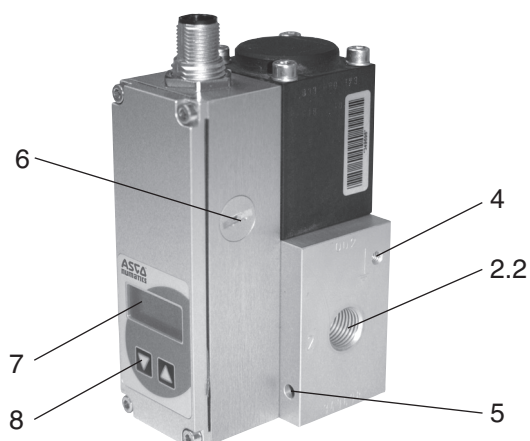
²⁾ Uniquement pour DN6, Ms

³⁾ Uniquement pour **614357...**, pas pour **614359...**
Autres versions sur demande.

1.2 COMPOSANTS DE FONCTIONNEMENT



- 1 Bobine proportionnelle
- 2.1 Alimentation en pression
- 2.2 Utilisation
- 2.3 Echappement
- 3 Alimentation électrique, connecteur M12 ou connecteur DIN à 7 broches
- 4 Connexion de mise à la terre, M4
- 5 Orifice de montage
- 6 Communication série RS232 (liaison PC)
- 7 Affichage LC
- 8 2 Boutons-poussoirs



1.3 MODES DE FONCTIONNEMENT

Shut off (fermeture) :

Si la pression de sortie devient inférieure à 0,5% de la PMR, le courant de la bobine est coupé et la vanne est mise à l'échappement.

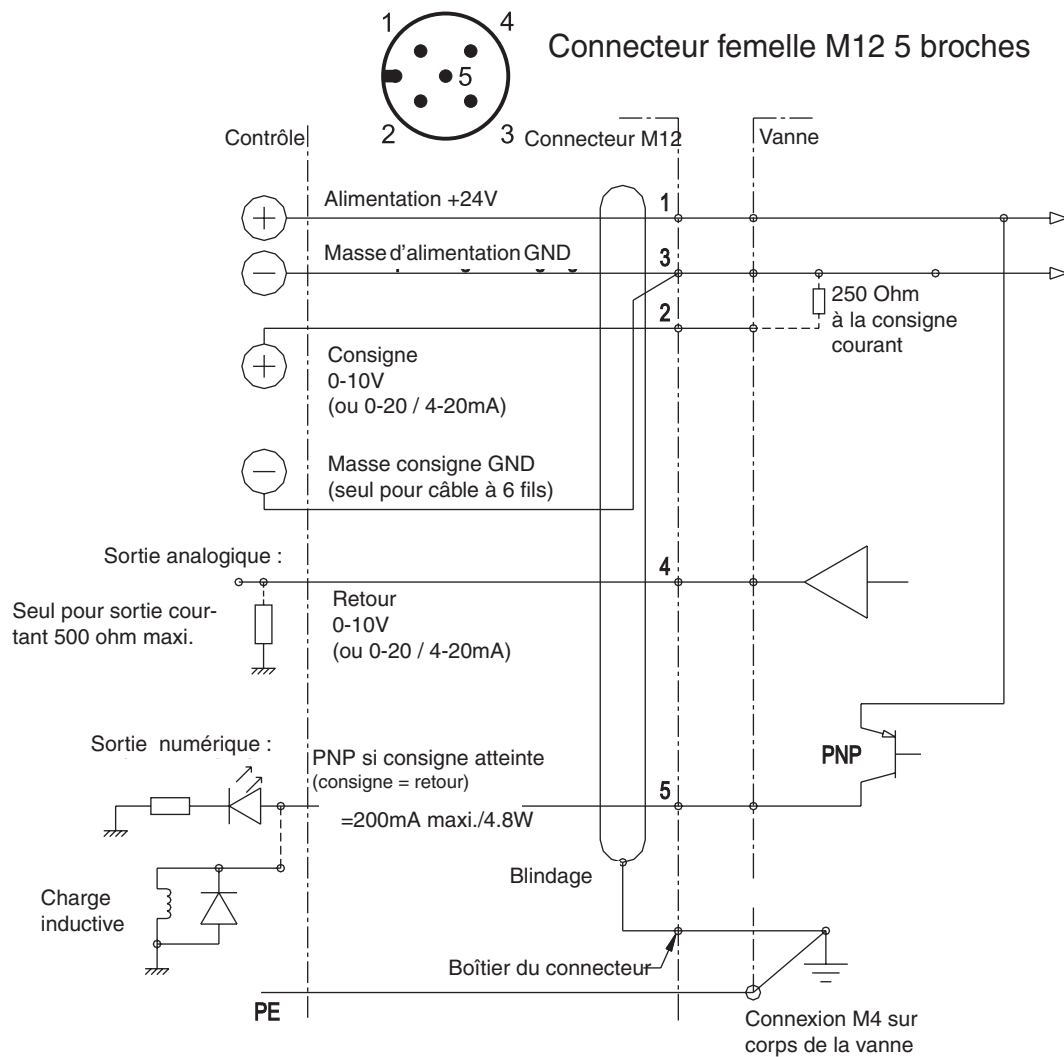
Surchauffe :

Si la température du système électronique de contrôle interne dépasse 100°C, la vanne proportionnelle passe en mode AUTOSAFE.

Autosafe:

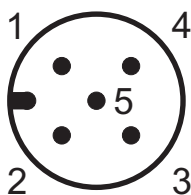
Si le courant de la bobine dépasse une valeur prédéterminée en fonction de la mécanique, pendant plus de 20 secondes, le courant de sortie de la bobine est limité à un maximum de 70% pour empêcher qu'il y ait une surchauffe de la vanne.

2. RACCORDEMENT ELECTRIQUE



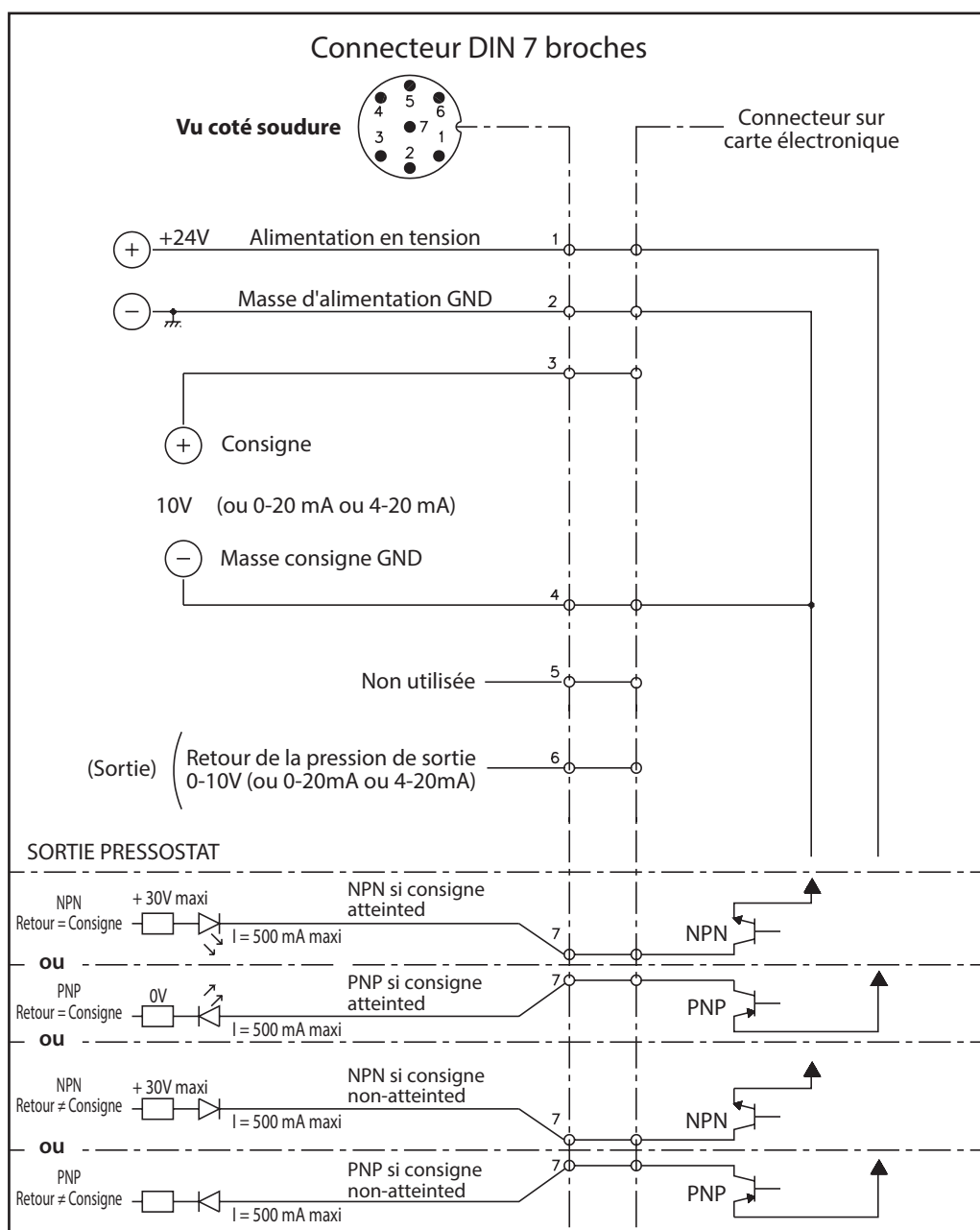
1. La vanne doit être alimentée en 24V, courant continu, variation $\pm 10\%$, avec un taux d'ondulation maxi. de 10% (pas d'alimentation par pont de diode). Une surtension ou un taux d'ondulation en dehors de ces tolérances peuvent détériorer l'électronique.
2. Le courant maxi. sur le pressostat est de 200 mA/4,8W (sortie PNP). La sortie est protégée contre les court-circuits et les surcharges.
3. Si vous connectez un relais (charge inductive) sur la sortie pressostat, il est nécessaire d'utiliser une diode de roue libre ou une varistance.
4. Utiliser un câble blindé contre les parasites et les effets électrostatiques.
5. Le corps de la vanne doit être relié à la terre par l'intermédiaire de la borne de masse PE ($\varnothing M4$).

BROCHAGE DU CONNECTEUR / REPERAGE DU CÂBLE



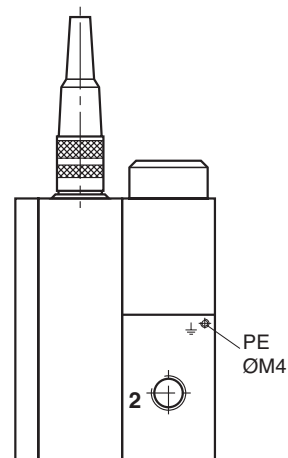
broche	description	câble 5 fils	câble 6 fils
1	Alimentation en tension + 24Vcc	marron	marron
2	Entrée de la consigne analogique	blanc	blanc
3	Masse d'alimentation	bleu	vert
	Masse analogique *		jaune
4	Sortie analogique (valeur de retour)	noir	rose
5	Sortie numérique (pressostat)	gris	gris
Gehäuse	Blindage CEM	blindage	blindage

* Un câble de 6 fils avec masse analogique séparée est utilisé pour les longueurs de câble de plus de 2 m afin de compenser la chute de tension pour la consigne.



ATTENTION - RESPECTER IMPÉRATIVEMENT CES INSTRUCTIONS!

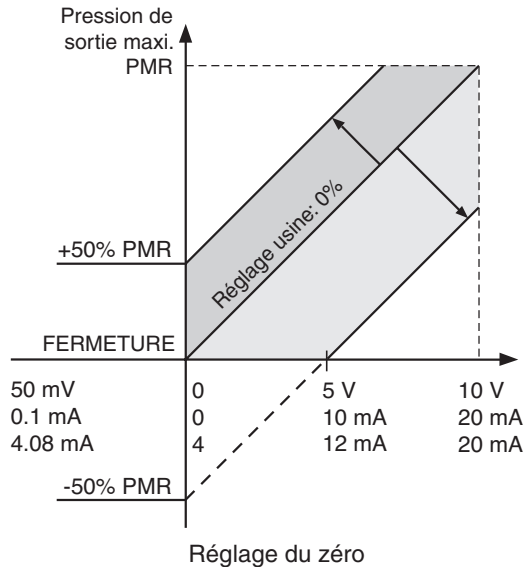
- 1) La vanne doit être alimentée en 24V, courant continu, variation $\pm 10\%$, avec un taux d'ondulation maxi. de 10% (pas d'alimentation par pont de diode). Une surtension ou un taux d'ondulation en dehors de ces tolérances peuvent détériorer l'électronique.
- 2) Le courant maxi. sur la broche 7 est de 500 mA (sortie NPN/PNP). La broche 7 est protégée contre les court-circuits et les surcharges..
- 3) Si vous connectez un relais (charge inductive) sur la sortie pressostat, il est nécessaire d'utiliser une diode de roue libre ou une varistance.
- 4) Ne pas souder les broches **non utilisées** sur le connecteur.
- 5) Lors d'une interruption de la pression d'alimentation, couper la tension d'alimentation 24 Vcc ou régler la consigne sur 0 V afin d'éviter une surchauffe de la bobine.
- 6) Le corps de la vanne doit être relié à la terre par l'intermédiaire de la borne de masse PE (ØM4) (voir schéma ci-contre).
- 7) Utiliser un câble blindé contre les parasites et les effets électrostatiques. La masse est à relier au boîtier du connecteur.



3. CONSIGNE ANALOGIQUE - PRESSION DE SORTIE

Décalage du zéro

Le réglage du point zéro de consigne peut être effectué par le programme *DaS*. Pour ce faire, sélectionner "Personnalisé" sous "Réglage consigne". La plage du zéro est de -50 ... +100 % au maximum.



Pression de sortie maxi. PMR (bar)	Pression d'entrée maxi. MAP (bar)
0 - 100 mbar	2
0 - 500 mbar	2
0 - 1 bar	2
0 - 2 bar	3
0 - 3 bar	8
0 - 5 bar	8
0 - 6 bar	12
0 - 10 bar	12
0 - 12 bar	14
0 - 16 bar ¹⁾	18
0 - 20 bar ¹⁾	22
0 - 30 bar ²⁾	40
0 - 50 bar ²⁾	60

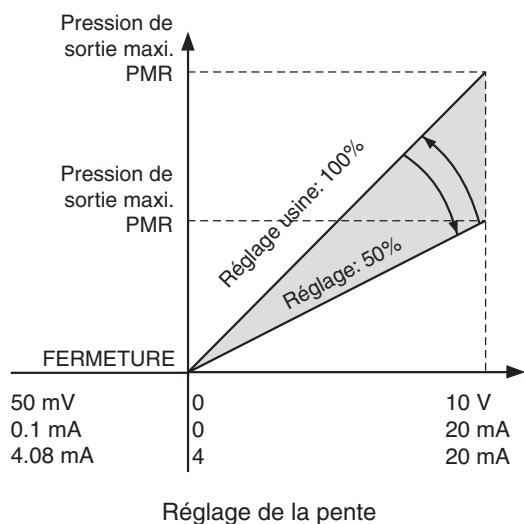
¹⁾ Uniquement pour DN3 et DN6

²⁾ Uniquement pour DN6, Ms

ATTENTION: Il n'est pas possible de régler une pression de sortie plus élevée que la pression de sortie maximale (PMR). Pour éviter que le capteur soit endommagé, la **pression d'alimentation doit être toujours inférieure à la pression maximale admissible (PMA)** définie ci-dessus (voir tableau).

Modification de la pente

Le réglage de la pente de pression de la consigne peut être effectué par le programme *DaS*. Pour ce faire, sélectionner "Personnalisé" sous "Réglage consigne". L'étendue est entre -10 et +150 %



L'étendue peut être réglée à 100% de la pression maximale de régulation (PMR). La pression ne peut être que diminuée.

4. RACCORDEMENT PNEUMATIQUE

Le sens de circulation de l'air est de 1 vers 2.



Les taraudages gaz sont à utiliser.

Chaque connexion vissée doit être montée avec un joint d'étanchéité synthétique adapté.

Ne pas utiliser de ruban d'étanchéité en Teflon ou de chanvre car ils pourraient pénétrer à l'intérieur de la vanne et l'endommager.

Utiliser un silencieux approprié pour l'orifice (3). Le temps de purge peut varier suivant le type de silencieux utilisé. Le diamètre des conduits pneumatiques doit être adapté suivant le diamètre nominal de la vanne. Le diamètre de la ligne de sortie (2) doit être plus grand ou égal à celui de la ligne d'entrée (1).

La pression d'alimentation doit être toujours inférieure à la valeur donnée dans le tableau de la section 3 et doit toujours être supérieure à la pression de sortie désirée.

5. CARACTERISTIQUES TECHNIQUES

CONSTRUCTION

Vanne à commande directe

Corps: Aluminium

Pièces internes: POM

Garnitures: Nitrile (NBR), élastomère fluoré (FPM)

Degré de protection: IP65

Mode de protection: Ex II 2D Ex tb IIIC T135 °C Db

Ex II 3G Ex nA IIC T4 Gc

$0 \leq T_a \leq +50 \text{ °C}$

N° de l'attestation CE de type: IBExU07ATEX1173

INSTALLATION

Position de montage indifférente; pour une performance optimale, corps vertical, tête magnétique dirigée vers le haut.

Air: filtré à 50 μm , sans condensats.

Connexions: Ne pas utiliser de chanvre ni de ruban en téflon.

Raccordement électrique: La section de fils doit être choisie pour une chute de tension inférieure à 2 volts avec un courant de 2A.

5.1 CARACTERISTIQUES FLUIDES

FLUIDES CONTROLES	: Air ou gaz neutre, filtré 50 μm , sans condensat, lubrifié ou non
RACCORDEMENT	: G1/8-G1/4-G1/2-G1
PRESSION D'ENTREE MAXI	: voir section 1.1
TEMPERATURE / FLUIDE	: 0...60 °C
TEMPERATURE / AMBIANTE	: 0...50 °C
HYSTERESIS	: <1% du maxi de la plage de régulation (PMR)
LINEARITE	: <0,5% de PMR
REPRODUCTIBILITE	: <0,5% de PMR
CONSIGNE MINIMALE	: 50mV (0,1 mA/4,08mA) avec fonction de fermeture
PRESSION DE SORTIE MINIMALE	: 1% de PMR

5.2 SÉLECTION DU MATÉRIEL

diamètre nominal DN (mm)	tension ⁽¹⁾ (stabilisée)	puissance maxi (W)	courant maxi (mA)	classe d'isolation	degré de protection	débit ⁽²⁾		raccordement électrique
						coeff. K_v (Nm ³ /h)	à 6 bar (l/min ANR)	
3	24 V= +/-10%	12	500	F	IP 65	0,18	210	connecteur femelle M12 à 5 broches ou connecteur femelle DIN à 7 broches
6		24	1000			0,60	700	
12		34	1400			1,20	1400	
20		44	1800			4,80	5600	

(1) Taux d'ondulation résiduelle: 10 %

(2) Conditions de test selon la norme ISO 8778: Température: 20 °C, pression d'entrée relative: 6 bar, pression de sortie relative: 5 bar

Entrée de consigne	: 0 ... 10 V (impédance d'entrée 100 kOhm) 0 ... 20 mA / 4 ... 20 mA (impédance d'entree 250 Ohm)
Sortie valeur de retour	: 0 ... 10 V (max. 10 mA), protégée contre les courts-circuit 0 ... 20 mA / 4 ... 20 mA (24 VCC maxi.)
Sortie numérique	: pnp; collecteur ouvert; 200 mA maxi./4,8W, protégée contre les courts-circuit High (24 VCC) si retour=consigne Low (ouvert) si retour≠consigne

INSTRUCTIONS D'INSTALLATION ET D'UTILISATION

- Avant toute mise en service, vérifier soigneusement les raccordements électriques et la tension d'alimentation (24 Vcc ±10%). La surtension peut détruire l'électronique.
Fusible d'entrée recommandé: T 2.0 A
- Le raccordement électrique se fait par connecteur rond M12x1. Le connecteur doit satisfaire à la norme DIN 60079-15. L'appareil a été testé avec le connecteur code 88100729.

Afin d'assurer la conformité à la Directive ATEX 2014/34/UE l'appareil doit être installé de manière à protéger le connecteur électrique contre toute contrainte mécanique.

AVERTISSEMENT

Ne pas débrancher le connecteur lorsque le produit est sous tension!

Lorsque le connecteur est débranché, mettre en place le capot de protection fourni pour maintenir le degré de protection IP.

- Utiliser des câbles blindés pour le raccordement électrique de la vanne. Respecter les consignes CEM pour le raccordement du blindage, du connecteur et de l'armoire. Relier électriquement le corps de la vanne à la masse (PE, masse de la machine). Ne pas poser les câbles de commande parallèlement aux câbles de haute tension, câbles de commande de servomoteurs ...
- La section du câble d'alimentation en tension devra être au moins 0,50 mm².
Pour les amenées de câbles plus longues, choisir des sections de câbles plus larges.
- S'assurer que la vanne soit alimentée en pression dès l'application d'un signal de consigne à la vanne (l'application d'un signal de consigne sans que la vanne soit alimentée en pression risque de la surchauffer).
- L'appareil est livré pré-réglé en usine.
- L'appareil doit être retourné à l'usine pour toute réparation.

CONSIGNES DE SECURITE

Ces produits sont destinés à être utilisés exclusivement dans des systèmes d'air comprimé industriels. Ne pas utiliser les produits en dehors des limites de pression et de température indiquées sous "Sélection du matériel". Veuillez respecter les pages des notices correspondantes.

Avant d'utiliser les produits avec des fluides autres que ceux spécifiés, pour des applications non-industrielles, dans des systèmes de support vie ou d'autres systèmes non spécifiés, veuillez consulter ASCO Numatics.

L'utilisation abusive, l'usure ou le dysfonctionnement peuvent entraîner de différents modes de défaillance des composants utilisés dans les systèmes hydrauliques et pneumatiques.

Les concepteurs de systèmes sont tenus à prendre en considération tous les modes de défaillance des composants utilisés dans les systèmes hydrauliques et pneumatiques et de prévoir des mesures de sécurité afin de prévenir tout dommage corporel ainsi que tout endommagement de l'appareil dans le cas d'une défaillance.

Les concepteurs de systèmes sont tenus à avertir l'utilisateur final dans le manuel d'utilisation si la protection contre une défaillance ne peut être complètement assurée.

Les concepteurs de systèmes et les utilisateurs finals sont impérativement tenus de respecter les consignes de sécurité fournies avec les produits.

6. ACCESSOIRES

description	code
Connecteur femelle droit M12 à 5 broches, avec bornes à vis	88100256
Connecteur femelle coudé M12 à 5 broches, avec bornes à vis	88100725
Câble d'alimentation en tension 2 m, 5 x 0,25 mm ² , connecteur droit	88100726
Câble d'alimentation en tension 2 m, 5 x 0,25 mm ² , connecteur coudé	88100727
Câble d'alimentation en tension 5 m, 6 x 0,56 mm ² , connecteur droit	88100728
Câble d'alimentation en tension 5 m, 6 x 0,56 mm ² , connecteur coudé	88100729
Câble d'alimentation en tension 10 m, 6 x 0,56 mm ² , connecteur droit	88100730
Câble d'alimentation en tension 10 m, 6 x 0,56 mm ² , connecteur coudé	88100731
Convertisseur de câble RS-232, longueur de câble 2 m avec connecteur Sub D à 9 broches (enfichable)	88100732
Convertisseur de câble RS-232, longueur de câble 2 m avec connecteur Sub D à 9 broches (vissable)	88100970
DaS 5.00, Logiciel d'acquisition de données pour la SENTRONIC^{PLUS}	Téléchargeable sous: www.asconumatics.eu

7. MAINTENANCE ET ENTRETIEN

Aucune maintenance ni entretien n'est nécessaire.

8. ENCOMBREMENTS (mm), MASSES (kg)

>>> Page 11

Digitaler Druckregler SENTRONIC^{PLUS} Baureihe 614



IM14229-DE/R04
(3835192-B)

DE

ASCATM

INHALT

1.	Beschreibung	31
1.1	Artikel-Nr.....	31
1.2	Bedienelemente.....	32
1.3	Betriebszustände.....	32
2.	Elektrischer Anschluss	33
3.	Analoger Sollwert - Ausgangsdruck	35
4.	Pneumatischer Anschluss	36
5.	Technische Daten.....	36
5.1	Fluidtechnische Daten	36
5.2	Kennwerte.....	37
6.	Zubehör	38
7.	Wartung und Pflege.....	38
8.	Abmessungen und Gewichte.....	11



ACHTUNG VORSICHT BEI HANDHABUNG VON ELEKTROSTATISCH GEFÄHRDETEN BAUTEILEN (EGB)

Dieses Produkt enthält elektronische Bauteile, die gegenüber elektrostatischen Entladungen (ESD) empfindlich sind. Berührungen der elektrischen Bauteile durch Personen oder Gegenstände können zu einer elektrostatischen Entladung führen, die das Produkt beschädigt oder zerstört. Um das Risiko einer elektrostatischen Entladung zu vermeiden, sind die Handhabungshinweise und Empfehlungen nach EN 100015-1 zu beachten. Zum elektrischen Anschließen oder Trennen des Produkts ist die Versorgungsspannung abzuschalten.



ACHTUNG! Wenn die Programmierschnittstelle am Ventil benutzt wird, können gefährliche Betriebszustände auftreten, da das Ventil möglicherweise nicht mehr auf den angelegten analogen Sollwert reagiert. Bei Inbetriebnahme und vor Änderungen der Ventileinstellungen sind Vorkehrungen gegen unkontrollierte Bewegung von Anlagenteilen zu treffen.

Hiermit erklären wir, dass das in diesem Installationshandbuch beschriebene Gerät in der von uns gelieferten Ausführung zum Einbau oder Zusammenbau mit anderen Maschinen bestimmt ist, und dass die Inbetriebnahme so lange untersagt ist, bis festgelegt wurde, dass die Maschine in die das Gerät eingebaut werden soll, den Bestimmungen der Richtlinie 2006/42/EG entspricht.

Die Handhabung, Montage und Inbetriebnahme, sowie Einstell- und Justierarbeiten dürfen ausschließlich von autorisiertem Fachpersonal durchgeführt werden.



Dieses Produkt entspricht der Richtlinie 2014/30/EU und deren Ergänzungen über die Elektromagnetische Verträglichkeit. Es ist nach CE zugelassen. Eine Konformitätserklärung steht auf Anfrage zur Verfügung.

Geben Sie bitte für die entsprechenden Produkte die Artikelnummer und Seriennummer an.

ANMERKUNGEN

DIE IN DIESEM HANDBUCH ENTHALTENEN ANGABEN KÖNNEN OHNE VORHERIGE ANKÜNDIGUNG GEÄNDERT WERDEN.

ASCO NUMATICS übernimmt keinerlei Haftung für technische oder redaktionelle Fehler oder Ungenauigkeiten oder für versehentlich entstehende Schäden oder Folgeschäden, die durch die Bereitstellung dieses Handbuchs oder aus der Anwendung desselben entstehen.

DAS VORLIEGENDE HANDBUCH ENTHÄLT URHEBERRECHTLICH GESCHÜTZTE ANGABEN. KEIN TEIL DIESES HANDBUCHS DARF OHNE VORHERIGE SCHRIFTLICHE GENEHMIGUNG VON ASCO NUMATICS AUF IRGENDNEINE ART UND WEISE VERVIELFÄLTIGT ODER ÜBERTRAGEN WERDEN.

COPYRIGHT © 2016 - ASCO NUMATICS - Alle Rechte vorbehalten.

1. BESCHREIBUNG

SENTRONIC^{PLUS} mit integriertem digitalem Regelkreis verbindet neueste Pneumatik-Technologie mit intelligenter Elektronik. Diese Baureihe ermöglicht die exakte Regelung von Druck, Durchfluss, Kraft, Geschwindigkeit und Weg oder Winkelpositionen. Die Baureihe **SENTRONIC^{PLUS}** ist eine Ergänzung zur **SENTRONIC^D**-Baureihe.

SENTRONIC^{PLUS} ist in 14 Standarddruckbereichen von 100 mbar bis 50 bar erhältlich. Vier verschiedene Nennweiten decken einen großen Durchflussbereich ab. Ausführungen mit verschiedenen Gehäusematerialien und Dichtungswerkstoffen können in vielen Bereichen wie z.B. Lebensmittelindustrie, Medizintechnik etc. eingesetzt werden. Durch die Möglichkeit der kaskadierten Regelung können mit Hilfe der **DaS-Software** (Data Acquisition Software) auch komplexe Regelkreise realisiert werden. Die digitale Steuerung bietet viele Vorteile bei der Installation und der Inbetriebnahme sowie erweiterte Möglichkeiten, das **SENTRONIC^{PLUS}**-Ventil an die verschiedensten Anwendungen anzupassen.

- Die Druck- und Entlüftungsanschlüsse sind in derselben Größe ausgeführt, was sowohl bei der Erhöhung als auch bei der Verringerung des Drucks zu kurzen Ansprechzeiten führt.
- Digitale Drucksteuerung im geschlossenen Regelkreis: Ein interner Drucksensor misst den Ausgangsdruck. Der Ausgangsdruck wird in Echtzeit eingeregelt.
- Regelparameter können mit der zusätzlichen **DaS-Software** (ab DaS5.00) geändert werden: Die Variabilität der vom Ventil verwendeten Parameter wird von der **DaS-Software** (Data Acquisition Software) gewährleistet. Diese Flexibilität ermöglicht es, das Ventil an die verschiedensten Anwendungen anzupassen und die Ansprechzeit, das Überspringen und die Präzision des Ventils zu optimieren.
- Nach der Bestimmung der optimalen Parameter können diese zum persönlichen Gebrauch in einer Projekt-Datei gespeichert werden, die auch für eine zukünftige Serien-Produktion an unsere Abteilung Product Support eingesandt werden kann.
- ATEX-Zulassung in der Version mit M12-Stecker ohne Display.

⊕ II 2D Ex tb IIIC T135 °C Db

⊕ II 3G Ex nA IIC T4 Gc

0 ≤ Ta ≤ +50 °C

Baumuster-Prüfbescheinigungsnr.: IBExU07ATEX1173

1.1 ARTIKEL-NR.

SENTRONIC^{PLUS} - Digitales elektronisches Druckregelventil

6 1 4 3 5 7 B A S I D P P

SENTRONIC^{PLUS} - mit externem pneumatischen Druckanschluss

6 1 4 3 5 9 B A S I D P P

B: Bedienfeld

D = M12 mit Display - nicht explosionsgeschützt

E = M12 ohne Display - explosionsgeschützt (ATEX)

F = DIN-Leitungsdose, 7-polig, mit Display - nicht explosionsgeschützt

G = DIN-Leitungsdose, 7-polig, ohne Display - nicht explosionsgeschützt

A: AUSFÜHRUNG (Anschluss), Gehäuse

0 = NG6 (G 1/4), Alu

6 = NG20 (NPT 1"), Alu

1 = NG12 (G 1/2), Alu

7 = NG3 (G 1/8), Ms

2 = NG20 (G 1), Alu

8 = NG6 (G 1/4), Ms

3 = NG6 (ISO 1), Alu

9 = NG3 (NPT 1/8), Ms

4 = NG6 (NPT 1/4"), Alu

A = NG6 (NPT 1/4"), Ms

5 = NG12 (NPT 1/2"), Alu

C = NG6 (G 1/4), VA

H = NG6 (G 1/4), Ms²⁾

S: SOLLWERT

0 = 0 ... 10 Volt

1 = 0 ... 20 mA

2 = 4 ... 20 mA

I: ISTWERT

1 = Istwertausgang 0 ... 10 Volt

2 = Istwertausgang 0 ... 20 mA

3 = Istwertausgang 4 ... 20 mA

4 = Istwerteingang 0 ... 10 Volt³⁾

5 = Istwerteingang 0 ... 20 mA³⁾

6 = Istwerteingang 4 ... 20 mA³⁾

PP: DRUCKBEREICH

Relativdruck	max. Eingangsdruck (bar)	Vakuum (relativ) V3 = 0 ... -1 bar Absperrventil
40 = 0 - 100 mbar	2	
50 = 0 - 500 mbar	2	
60 = 0 - 1 bar	2	
02 = 0 - 2 bar	3	
03 = 0 - 3 bar	8	
05 = 0 - 5 bar	8	
06 = 0 - 6 bar	12	
10 = 0 - 10 bar	12	
12 = 0 - 12 bar	14	
16 = 0 - 16 bar ¹⁾	18	
20 = 0 - 20 bar ¹⁾	22	
3H = 0 - 30 bar ²⁾	40	
5H = 0 - 50 bar ²⁾	60	
V3 = 0 - (-1) bar		

D: DIGITALER AUSGANG

1 = Druckschalter-Ausgang
PNP ± 5 %

Anmerkungen:

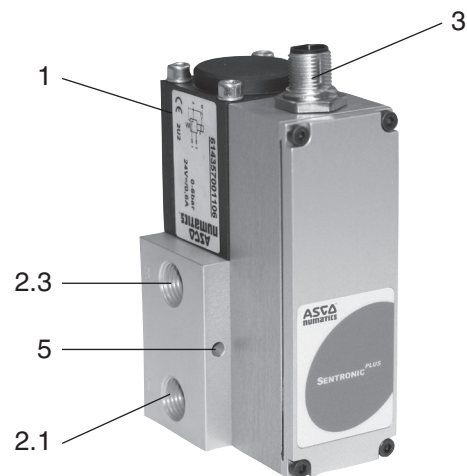
¹⁾ Nur für NG3 und NG6

²⁾ Nur für NG6, Ms

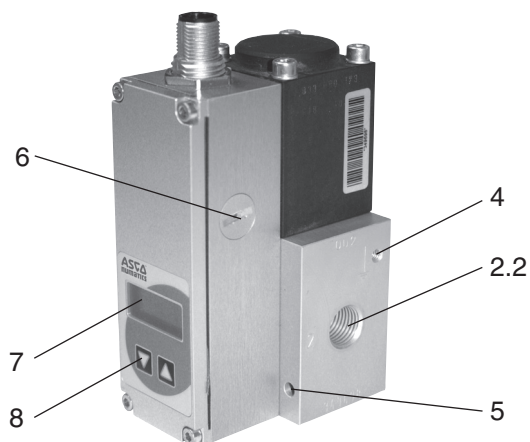
³⁾ Nur für 614357..., nicht für 614359...

Weitere Ausführungen auf Anfrage.

1.2 BEDIENELEMENTE



- 1 Proportionalmagnet
- 2.1 Druckversorgung
- 2.2 Druckausgang
- 2.3 Entlüftung
- 3 Elektrische Versorgung, M12-Stecker oder 7-poliger DIN-Stecker
- 4 Anschluss für Schutzterde, M4
- 5 Befestigung
- 6 Serielle Kommunikation RS232 (PC-Anschluss)
- 7 LC-Display
- 8 2 Tasten



1.3 BETRIEBSZUSTÄNDE

Shutoff:

Wird der Sollwert kleiner 0,5 %, so wird der Proportionalmagnet stromlos geschaltet und das Ventil entlüftet vollständig.

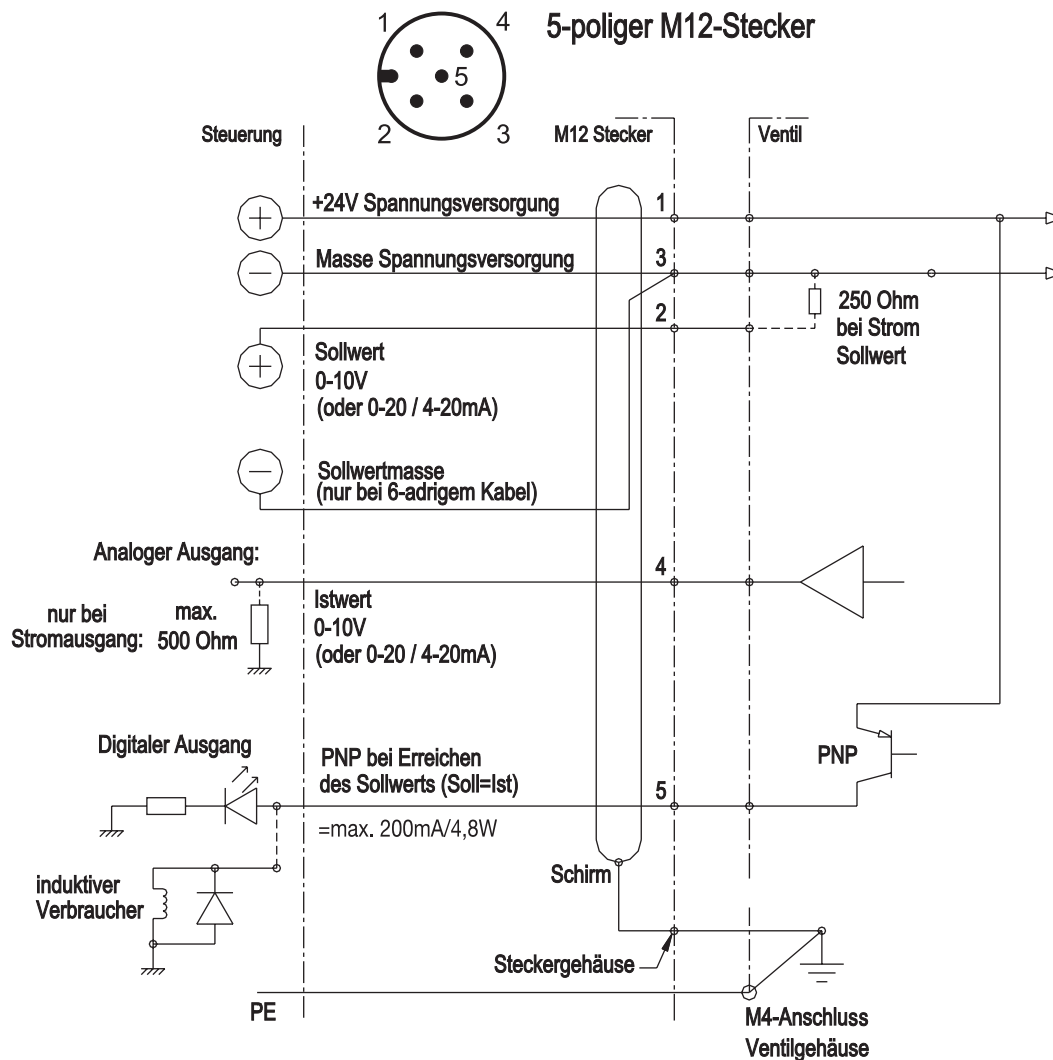
Übertemperatur:

Erreicht die interne Regelelektronik eine Temperatur größer 100 °C, so wird AUTOSAFE eingeschaltet.

Autosafe:

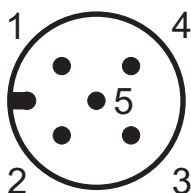
Überschreitet der Magnetstrom für länger als 20 Sekunden einen vorbestimmten, von der Mechanik abhängigen Wert, so wird der Ausgangsstrom auf 70% reduziert, um eine Überhitzung des Ventils zu vermeiden.

2. ELEKTRISCHER ANSCHLUSS



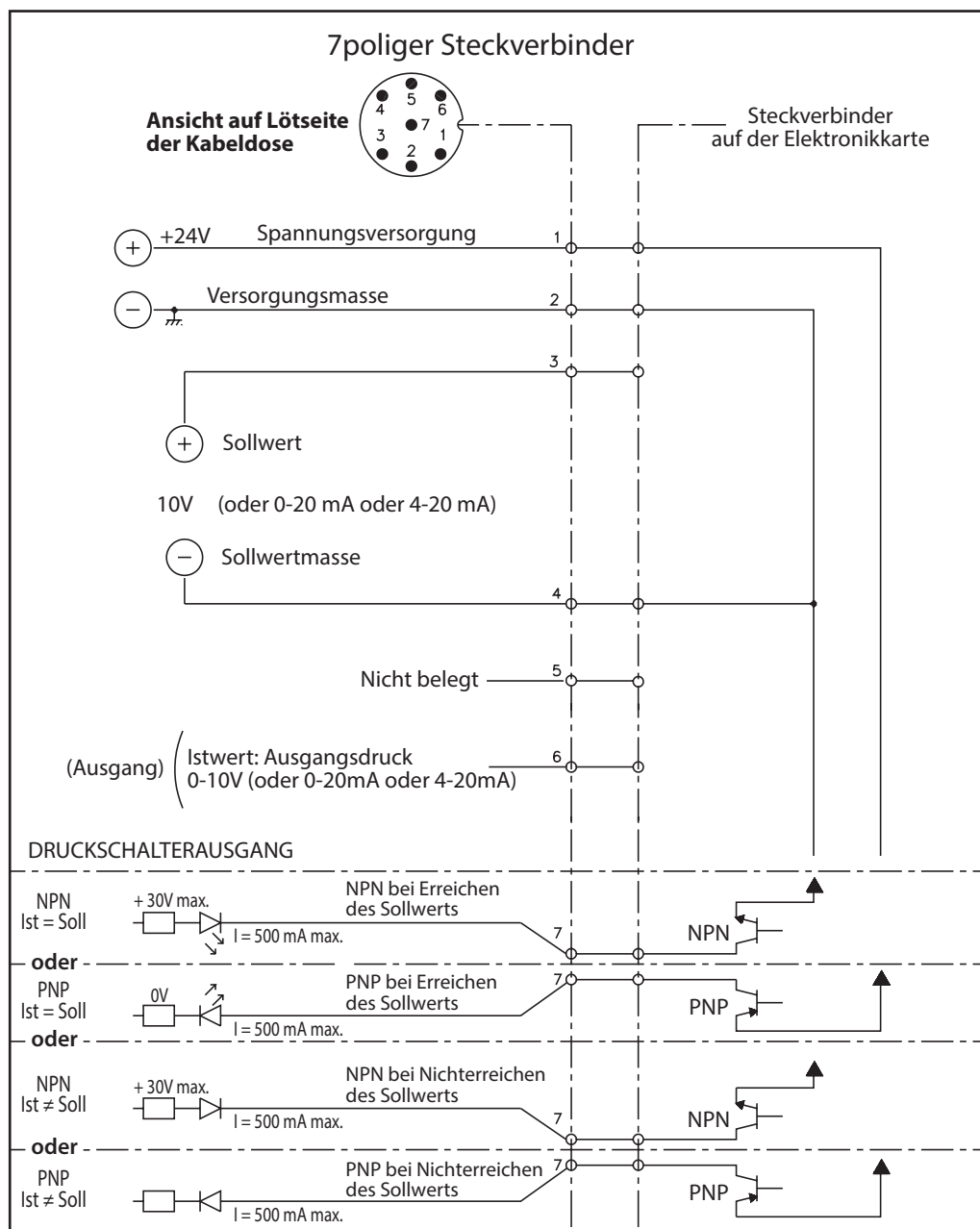
1. Das Ventil darf nur mit einer Versorgungsspannung von 24VDC \pm 10% und einer maximalen Welligkeit von 10% betrieben werden. (Eine Einspeisung über Diodenbrücke ist nicht gestattet). Überspannungen und Welligkeiten außerhalb dieser Toleranzen können zu einer Beschädigung der Elektronik führen.
2. Der maximale Strom des Druckschalters beträgt 200 mA/4,8W (PNP-Ausgang). Der Ausgang ist gegen Kurzschluss und Überlast geschützt.
3. Bei Anschluss eines Relais (induktive Last) an den Druckschalterausgang ist eine Freilaufdiode oder ein Varistor zu verwenden.
4. Zum Schutz gegen elektromagnetische Störungen ist ein abgeschirmtes Kabel zu verwenden.
5. Das Ventilgehäuse ist mit Hilfe der Erdungsklemme (\varnothing M4) zu erden.

STECKERBELEGUNG / KABELBELEGUNG



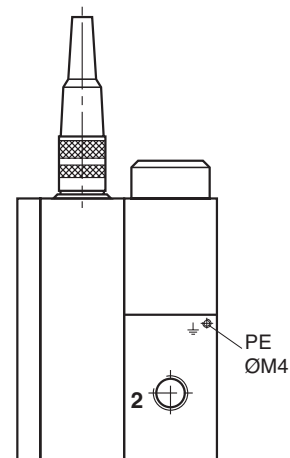
Pin	Beschreibung	5-adriges Kabel	6-adriges Kabel
1	24V-Spannungsversorgung	braun	braun
2	Analoger Sollwert-Eingang	weiß	weiß
3	Versorgung Masse	blau	grün
	Analoge Masse *		gelb
4	Analoger Ausgang (Istwert)	schwarz	rosa
5	Digitaler Ausgang (Druckschalter)	grau	grau
Gehäuse	EMV-Abschirmung	Schirm	Schirm

* Bei Kabellängen größer 2 m wird ein 6-poliges Kabel mit separater Analogmasse verwendet, um den Spannungsabfall für den Sollwert auszugleichen.



ACHTUNG - UNBEDINGT BEACHTEN!

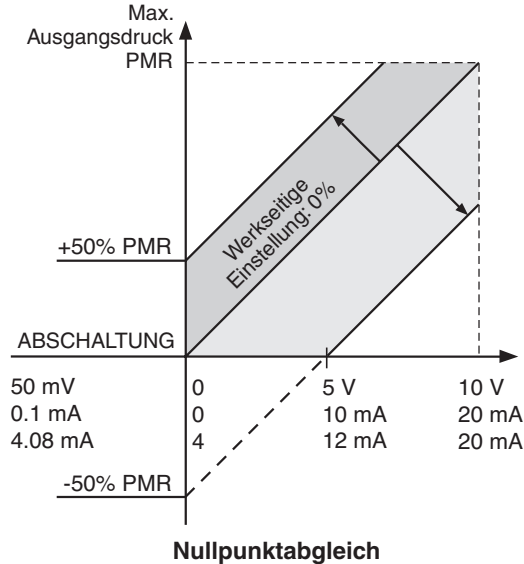
- 1) Die Spule nur mit 24 V= mit einer Toleranz von $\pm 10\%$ und einer maximalen Welligkeit von 10 % beaufschlagen (eine Einspeisung über Diodenbrücke ist nicht gestattet). Überspannung oder Welligkeit über 10 % können zu einer Beschädigung der Elektronik führen.
- 2) Der maximale Strom an Pin 7 beträgt 500 mA (Ausgang NPN/PNP). Pin 7 ist gegen Kurzschluss und Überlast geschützt.
- 3) Bei Anschluss eines Relais (induktive Last) an den Druckschalterausgang ist eine Freilaufdiode oder ein Varistor zu verwenden.
- 4) Die **unbelegten** Pins an der Steckdose sind nicht zu verlöten.
- 5) Bei Unterbrechung des Versorgungsdrucks ist die 24 V-Versorgungsspannung abzuschalten oder der Sollwert auf 0 V zu setzen, um eine starke Erhitzung der Spule zu vermeiden.
- 6) Das Ventilgehäuse ist mit Hilfe der Erdungsklemme PE ($\varnothing M4$) zu erden (siehe nebenstehendes Schema).
- 7) Zum Schutz gegen Störungen und elektrostatische Effekte ist ein geschirmtes Kabel zu verwenden. Die Masse ist mit dem Steckergehäuse zu verbinden.



3. ANALOGER SOLLWERT - AUSGANGSDRUCK

Sollwert-Nullpunkt

Der Druck-Nullpunkt des Sollwerts kann über die *DaS*-Software verändert werden. Hierzu im Abschnitt "Sollwerteinstellung" auf "Kunde" umschalten. Der Einstellbereich für den Nullpunkt ist maximal -50 ... +100 %.



Max. Ausgangsdruck PMR (bar)	Max. Eingangsdruck MAP (bar)
0 - 100 mbar	2
0 - 500 mbar	2
0 - 1 bar	2
0 - 2 bar	3
0 - 3 bar	8
0 - 5 bar	8
0 - 6 bar	12
0 - 10 bar	12
0 - 12 bar	14
0 - 16 bar ¹⁾	18
0 - 20 bar ¹⁾	22
0 - 30 bar ²⁾	40
0 - 50 bar ²⁾	60

¹⁾ Nur für NG3 und NG6

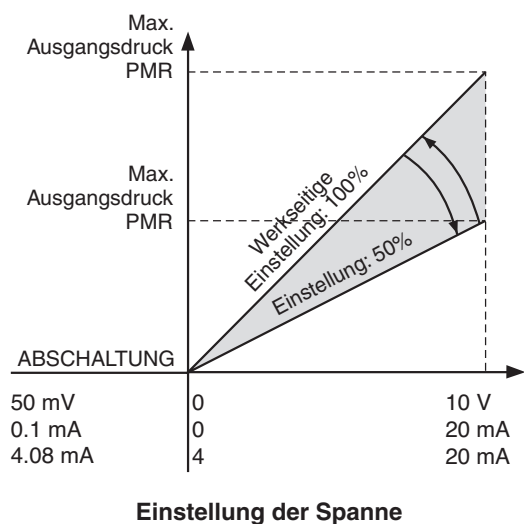
²⁾ Nur für NG6, Ms

WARNUNG: Ausgangsdrücke größer als PMR (Pressure Maximum Range) werden vom Ventil nicht geregelt, d.h. der max. Ausgangsdruck wird auf PMR begrenzt.

Um eine **Beschädigung des Sensors** zu vermeiden, sollte der Versorgungsdruck immer kleiner als der maximale Eingangsdruck (MAP) sein (siehe Tabelle).

Sollwert-Spanne

Die Druck-Spanne des Sollwerts kann über die *DaS*-Software verändert werden. Hierzu im Abschnitt "Sollwerteinstellung" auf "Kunde" umschalten. Der Einstellbereich für die Spanne ist +10 ... +150 %.



Die Spanne kann maximal auf 100 % PMR eingestellt werden. Es ist nur eine Reduzierung möglich.

4. PNEUMATISCHER ANSCHLUSS

Die pneumatische Durchflussrichtung ist von Anschluss 1 nach 2.



Es sind zöllige Verschraubungen (Rohrgewinde) zu verwenden.
 Jede Verschraubung ist mit einem passenden Kunststoffdichtring zu unterlegen.
 Teflondichtband und Hanf dürfen nicht verwendet werden, da sie in das Innere des Ventils gelangen können.
 An der Entlüftung (3) ist ein passender Schalldämpfer zu verwenden. Je nach verwendetem Schalldämpfer kann sich die Entlüftungszeit verlängern.
 Der Querschnitt der Pneumatikleitungen ist der Nennweite des Ventils anzupassen. Die Ausgangsleitung (2) sollte im Querschnitt größer oder gleich der Eingangsleitung (1) sein.
 Der Versorgungsdruck muss immer geringer als der in der Tabelle in Abschnitt 3 angegebene Wert sein, jedoch immer größer als der gewünschte Ausgangsdruck.

5. TECHNISCHE DATEN

KONSTRUKTIONSMERKMALE

Direktgesteuertes Ventil
 Gehäuse: Aluminium
 Innenteile: POM
 Dichtungen: Nitril (NBR), Fluorkautschuk (FPM)
 Schutzart: IP65
 Zündschutzart: Ex II 2D Ex tb IIC T135 °C Db
 Ex II 3G Ex nA IIC T4 Gc
 $0 \leq T_a \leq +50 \text{ °C}$
 Baumuster-Prüfbescheinigungsnr.: IBExU07ATEX1173

EINBAU

Einbaulage: beliebig, vorzugsweise vertikal mit Magnet nach oben
 Luft: gefiltert 50 µm, kondensatfrei
 Anschlüsse: Ohne Hanf oder Teflon-Band
 Elektrischer Anschluss: Drahtquerschnitt so wählen, dass bei 2A ein Spannungsabfall von weniger als 2 Volt auftritt.

5.1 FLUIDTECHNISCHE DATEN

MEDIUM	: Luft oder neutrales Gas, gefiltert 50 µm, kondensatfrei, geölt oder ungeölt
ANSCHLÜSSE	: G1/8-G1/4-G1/2-G1
MAX. EINGANGSDRUCK	: siehe Abschnitt 1.1
TEMPERATUR / MEDIUM	: 0...60 °C
TEMPERATUR / UMGEBUNG	: 0...50 °C
HYSTERESE	: <1% vom Endwert
LINEARITÄT	: <0,5% vom Endwert
REPRODUZIERBARKEIT	: <0,5% vom Endwert
MINDEST-SOLLWERT	: 50mV (0,1 mA/4,08mA) mit Shutoff-Funktion
MINDEST-AUSGANGSDRUCK	: 1% vom Endwert

5.2 KENNWERTE

Ø Nennweite DN (mm)	Versorgungs- spannung ⁽¹⁾ (geregelt)	Leistungs- aufnahme max. (W)	Strom- aufnahme max. (mA)	Isolations- klasse	Schutzart	Durchfluss ⁽²⁾		Elektrischer Anschluss
						K _v -Wert (Nm ³ /h)	bei 6 bar (NI/min)	
3	24 V _± +/-10%	12	500	F	IP 65	0,18	210	5-polige Leitungsdose M12 oder 7-polige DIN-Leitungsdose
6		24	1000			0,60	700	
12		34	1400			1,20	1400	
20		44	1800			4,80	5600	

(1) Restwelligkeit 10 %

(2) Prüfbedingungen gemäß ISO 8778: Temperatur: 20 °C, relativer Eingangsdruck: 6 bar, relativer Ausgangsdruck: 5 bar

Sollwerteingang	: 0 ... 10 Volt (Eingangswiderstand 100 kOhm) 0 ... 20 mA / 4 ... 20 mA (Eingangswiderstand 250 Ohm)
Istwertausgang	: 0 ... 10 Volt (max. 10 mA), kurzschlussfest 0 ... 20 mA / 4 ... 20 mA (max. 24 VDC)
Digitaler Ausgang	: pnp; open collector; max. 200 mA/4,8W, kurzschlussfest HIGH (24 VDC) für Ist=Soll LOW (open) für Ist≠Soll

MONTAGE- UND BEDIENUNGSHINWEISE

1. Vor der Inbetriebnahme sorgfältige Kontrolle der elektr. Anschlüsse und der Versorgungsspannung (24 VDC ±10%). Überspannung kann die Elektronik zerstören.
Empfohlene Vorsicherung T 2.0 A
2. Der elektrische Anschluss erfolgt über einen Rundstecker M12x1. Der verwendete Stecker muss die Anforderungen nach DIN 60079-15 erfüllen. Das Gerät wurde mit dem Stecker Artikel-Nr. 88100729 geprüft.

Um die Konformität mit der ATEX-Richtlinie 2014/34/EU zu gewährleisten, hat der Einbau des Geräts so zu erfolgen, dass der elektrische Steckverbinder vor mechanischen Belastungen geschützt ist.

Sicherheitshinweis:

Der Stecker darf nicht unter Spannung gezogen werden!

Bei gezogenem Stecker ist zur Aufrechterhaltung des IP-Schutzgrades die mitgelieferte Schutzkappe aufzustecken.

3. Für den elektr. Anschluss des Ventils sind abgeschirmte Kabel zu verwenden. Die Schirmanbindung, Stecker und Schaltschrank sind EMV-gerecht zu erfolgen. Der Ventilkörper ist elektr. auf Masse (PE, Maschinenmasse) zu legen. Ansteuerleitungen nicht parallel zu Starkstromleitungen oder Ansteuerleitungen von Servomotoren etc. verlegen.
4. Der Leitungsquerschnitt der Versorgungsspannung sollte min. 0.50 mm² betragen.
Bei langen Zuleitungen ggf. noch größeren Kabelquerschnitt wählen.
5. Sicherstellen, dass das Ventil mit Druck beaufschlagt ist, sobald ein Sollwertsignal dem Ventil vorgegeben wird (Sollwertvorgabe, ohne dass das Ventil mit Druck beaufschlagt ist, führt zu einer unzulässig starken Erwärmung des Ventils).
6. Das Gerät ist werkseitig abgeglichen.
7. Das Gerät muss zur Reparatur ins Werk eingeschickt werden.

SICHERHEITSHINWEISE

Diese Produkte sind ausschließlich in industriellen Druckluftsystemen zu verwenden. Sie sind dort einzusetzen, wo die unter "Spezifikationen" aufgeführten Druck- und Temperaturwerte nicht überschritten werden. Berücksichtigen Sie bitte die entsprechende Druckschriftenseite.

Vor dem Einsatz der Produkte mit Flüssigkeiten sowie bei nicht industriellen Anwendungen, in lebenserhaltenden- oder anderen Systemen, die nicht in den veröffentlichten Anleitungsunterlagen enthalten sind, wenden Sie sich bitte direkt an ASCO Numatics.

Durch Missbrauch, Verschleiß oder Störungen können in Hydrosystemen verwendete Komponenten auf verschiedene Arten versagen.

Systemauslegern wird dringend empfohlen, die Störungsarten aller in Hydrosystemen verwendeten Komponententeile zu berücksichtigen und ausreichende Sicherheitsvorkehrungen zu treffen, um Verletzungen von Personen sowie Beschädigungen der Geräte im Falle einer solchen Störung zu verhindern.

Systemausleger sind verpflichtet, Sicherheitshinweise für den Endbenutzer im Betriebshandbuch zu vermerken, wenn der Störungsschutz nicht ausreichend gewährleistet ist.

Systemauslegern und Endbenutzern wird dringend empfohlen, die den Produkten beiliegenden Sicherheitsvorschriften einzuhalten.

6. ZUBEHÖR

Beschreibung	Artikel-Nr.
Gerade M12 Leitungsdose, 5-polig, mit Schraubklemmen	88100256
M12 Winkel-Leitungsdose, 5-polig, mit Schraubklemmen	88100725
Spannungsversorgungskabel 2 m, 5x0,25 mm ² , gerade Leitungsdose	88100726
Spannungsversorgungskabel 2 m, 5x0,25 mm ² , Winkel-Leitungsdose	88100727
Spannungsversorgungskabel 5 m, 6x0,56 mm ² , gerade Leitungsdose	88100728
Spannungsversorgungskabel 5 m, 6x0,56 mm ² , Winkel-Leitungsdose	88100729
Spannungsversorgungskabel 10 m, 6x0,56 mm ² , gerade Leitungsdose	88100730
Spannungsversorgungskabel 10 m, 6x0,56 mm ² , Winkel-Leitungsdose	88100731
RS-232-Umsetzer, 2 m Kabel mit 9-poligem Sub-D-Stecker (steckbar)	88100732
RS-232-Umsetzer, 2 m Kabel mit 9-poligem Sub-D-Stecker (schraubbar)	88100970
DaS 5.00, Data Acquisition Software für SENTRONIC^{PLUS}	Herunterladbar unter: www.asconumatics.de

7. WARTUNG UND PFLEGE

Keine besonderen Anforderungen.

8. ABMESSUNGEN (mm), GEWICHTE (kg)

>>> Siehe Seite 11

ASCO Numatics GmbH

Otto-Hahn-Straße 7-11
75248 Ölbronn-Dürrn
Germany

Tel: +49 7237 996-0
Email: asconumatics-de@emerson.com
www.asconumatics.eu