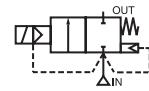


NC



### FEATURES

- Compact aluminium flanged bodied dual flow valves for petrol vending applications
- Valve offers three flow positions, i.e. full flow, low flow, and shut off
- Minimum operating differential pressure 0,35 bar
- Explosion proof operator, intended for use in potential explosive areas, according to Directive ATEX 94/9/EC
- Easy electrical installation by means of the moulded-in supply cable, standard length 2 meter
- ASCO Numatics components satisfy all relevant EC directives

### GENERAL

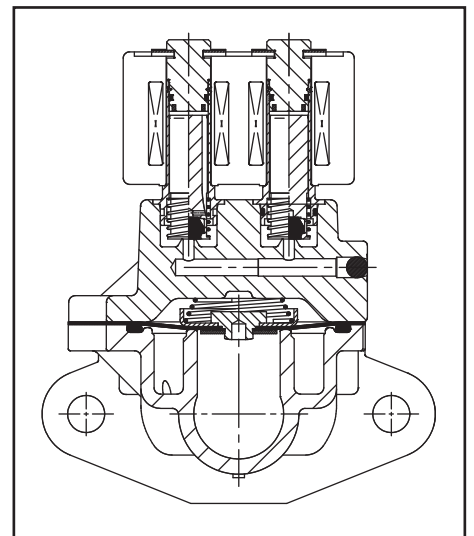
**Differential pressure** 0,35 - 2,7 bar [1 bar = 100kPa]  
**Ambient temperature range** AC: -20 to +40°C  
 DC: -20 to +40°C

fluids (*)	temperature range (TS)	seal materials (*)
Petrol & Liquid fuels	-40 to +40°C	FPM (fluoroelastomer) / VMQ (silicone)

### MATERIALS IN CONTACT WITH FLUID

(\*) Ensure that the compatibility of the fluids in contact with the materials is verified

<b>Body</b>	Brass
<b>Core tube</b>	Stainless steel
<b>Core and plugnut</b>	Stainless steel
<b>Springs</b>	Stainless steel
<b>Seat</b>	Brass
<b>Sealing</b>	FPM / VMQ
<b>Disc &amp; O-Rings</b>	FPM
<b>Diaphragm Support</b>	POM
<b>Shading Ring (AC only)</b>	Copper



### ELECTRICAL CHARACTERISTICS

**Coil insulation class** F  
**Electrical safety** IEC 335  
**Standard voltages** DC (=) 24V - 48V;  
 AC (~) 24V - 48V - 115V - 230V / 50 Hz

prefix option	power ratings		operator ambient temperature range (TS)	safety code	electrical enclosure protection (EN 60529)	replacement coil		type <sup>(1)</sup>
	holding ~	hot/cold =				~	=	
	(W)	(W)				230V/50/60 Hz	24V/DC	
PV	4,0	5,0 / 6,9	-40 to +65	II 2 G Ex mb II T3	moulded IP67	-	<sup>(2)</sup>	01

<sup>(1)</sup> Refer to the dimensional drawings on page 10

<sup>(2)</sup> Multiple coils kits available under ATEX, contact us  
 - Not available

### SPECIFICATIONS

pipe size	orifice size		flow coefficient Kv			operating pressure differential (bar)			prefix optional solenoids *						basic catalogue number	
	Low	High	Low		High	min	max. PS		NEMA 7&9	ATEX / IECEx				IP65		
			(m³/h)	(l/min)			(m³/h)	(l/min)		~	=	EF	NF			EM
T	(mm)	(mm)	(m³/h)	(l/min)	(m³/h)	(l/min)				Ex d	Ex e mb	Ex mb	EEx nA			
<b>NC - Normally closed</b>																
3/4	2,5	19	0,10	1,7	7,3	122	0,35	2,7	2,7	-	-	-	●	-	-	T292B027

● Available feature  
 - Not available

\* For description of solenoids see pages 31-40

### INSTALLATION

- The valves can be mounted in any position without affecting operation
- Pipe connection identifiers: T = flanged body
- Installation/maintenance instructions are included with each valve
- PV solenoids have a standard cable length of 2 meters. Other lengths in full meters are available on request

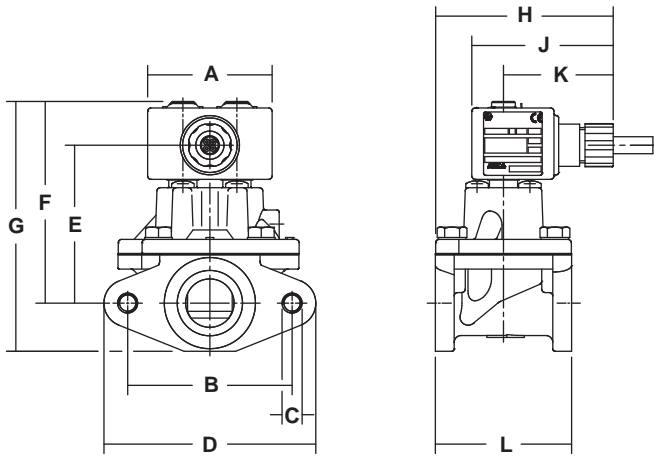
### DIMENSIONS (mm), WEIGHT (kg)



#### TYPE 01

Prefix "PV" Solenoid  
 Epoxy encapsulated  
 EN-IEC 60079-0, 60079-18, 61241-0, 61241-18  
 II 2 G/D Ex mb II / Ex mD  
 IP67

T292B027



type	AC/DC	prefix option	catalogue number	spare parts kits	A	B	C	D	E	F	G	H	J	K	L	weight
01	~/=	PV	T292B027	320056 / 323369	53	70	M8	90	67	86	106	76	60	47	58	1,4 Kg