

QUALITY SERIES 100MM STAINLESS STEEL INTERNAL GAUGE



SPECIFICATIONS

ACCURACY

ASME Grade 1A – ±1.0% of range across full scale

CASE SIZES

100mm diameter (4")

CASE MATERIAL

304 Stainless Steel

CASE STYLES

LM – Lower Mount

TUBE & SOCKET

316 Stainless Steel Welded to Case

MOVEMENT

Stainless Steel

CONNECTION

¼ NPT (H207xx), ½ NPT (H209xx)

RANGES

Vacuum to 20,000 psi

DIAL STANDARD

Dual scale psi and kPa

DIAL COLOR

Black markings on white

POINTER

Aluminum, black painted, micro-adjustable

WINDOW

Safety Glass (Tempered)

FILL MEDIUM

See options

VENT

Rubber plug with snip-off feature

RESTRICTOR

Standard for all ranges

WEIGHT

Filled 2.0 lb.

Dry 1.3 lb.

- Liquid Filled or Dry - Field Fillable
- Adjustable Micrometer Pointer
- Ranges to 20,000 psi
- Safety Glass Window

Marsh Stainless Steel gauges are built for extended life and are designed for harsh and corrosive environments. They feature a top fill plug, polished bayonet ring and are field fillable. Liquid filled gauges offer significant cushioning and dampening plus extend the life of a gauge.

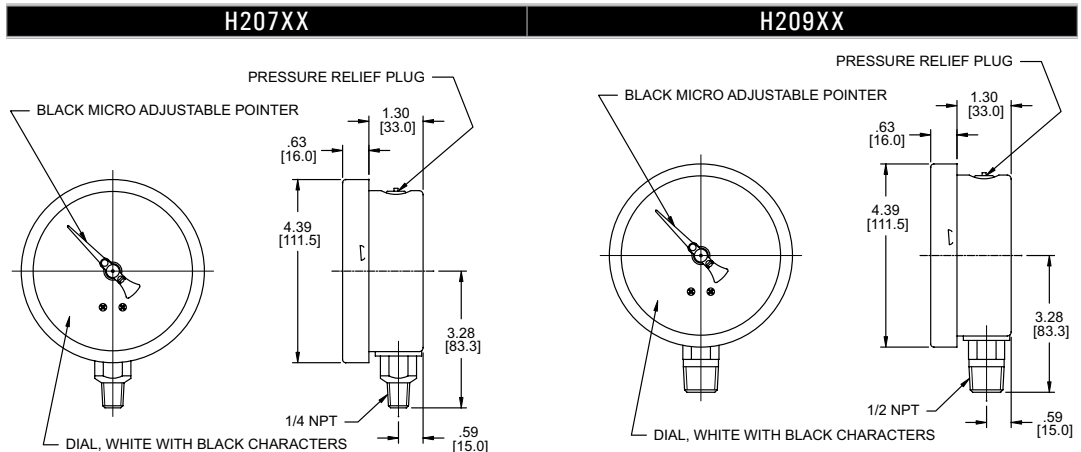
Typical applications include Oil patch, Refineries, Oil Rigs, Control Panels, Offshore Platforms, Marine and General Industrial.

- NACE: MR0175
Gauges met NACE standards for material and hardness

STANDARD RANGES & PART NUMBERS

TYPE	QUALITY SERIES 100MM SS INTERNAL		
Size	100mm	100mm	NACE 100mm
Case Material	Stainless Steel	Stainless Steel	Stainless Steel
Internals	316 SS	316 SS	316 SS
Mounting / Case Style	LM	LM	LM
Connection	¼ NPT	½ NPT	½ NPT
Scale Standard	psi/kPa	psi/kPa	psi/kPa
0 to 30" Hg Vacuum	H20705	H20905	
0 to 15 psi	H20740	H20940	HN20940
0 to 30 psi	H20742	H20942	HN20942
0 to 60 psi	H20746	H20946	HN20946
0 to 100 psi	H20748	H20948	HN20948
0 to 160 psi	H20752	H20952	HN20952
0 to 200 psi	H20754	H20954	HN20954
0 to 300 psi	H20758	H20958	HN20958
0 to 400 psi	H20760	H20960	HN20960
0 to 600 psi	H20764	H20964	HN20964
0 to 1,000 psi	H20772	H20972	HN20972
0 to 1,500 psi	H20774	H20974	HN20974
0 to 2,000 psi	H20776	H20976	HN20976
0 to 3,000 psi	H20778	H20978	HN20978
0 to 5,000 psi	H20782	H20982	HN20982
0 to 10,000 psi	H20790	H20990	HN20990
0 to 15,000 psi	H20792	H20992	HN20992
0 to 20,000 psi	H20794	H20994	HN20994

ALL DIMENSIONS ARE NOMINAL



To order filled, see filling chart below.

QUALITY SERIES 100MM STAINLESS STEEL INTERNAL GAUGE OPTIONS

OPTION	TYPE	SUFFIX	AVAILABLE ON MODELS
Fill Medium	Dry (no fill)	Standard	All ranges
	Glycerine (GL)	Add suffix P	
	Silicone (SL)	Add suffix PI	
Catalog Dials	psi only	E	
	Bar only	L1	
	kg/cm ² only	L2	
	kPa only	L3	
	MPa only	L4	
	psi & BAR	W1	
	psi & kg/cm ²	W2	
	psi & MPa	W4	



NACE 100mm

