

Type 3215

Weatherproof Regulator with Super High Flow

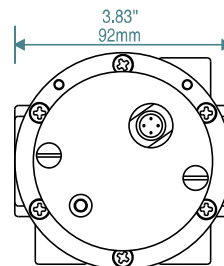
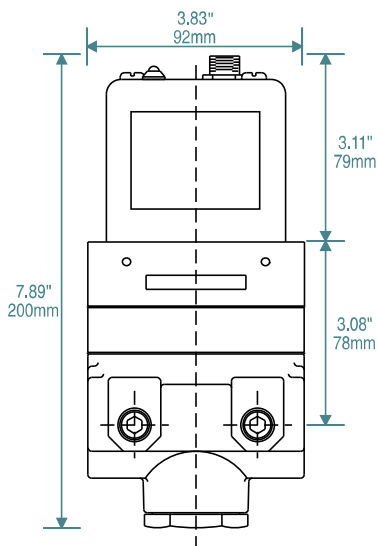
Description

The T3215 High-Flow Pressure Controller utilizes reliable, quick-firing solenoids, an onboard pressure sensor, and a precision 180 scfm booster to achieve excellent accuracy and stability. There are many custom output ranges between 0 and 150 PSIG (1.0 MPa). The T3215 is CE-rated, weatherproof, and vibration-resistant. Analog electrical connections include control and monitor output. Mounting options include in-line and panel.

The T3215 is available with or without pressure monitor and logic outputs (6-pin or 4-pin micro connector, respectively). The T3215 is also available with a 6-pin DIN 43650 connector. Differential inputs mean problem-free integration with PLC grounding systems.

Features

- Single Unit-Integrated Controller and Booster
- Very High Flow Volume Booster-Greater than 200 SCFM
- High Accuracy Control of Air Pressure
- Low Air Consumption
- Weatherproof Housing
- Shock Resistant, Position Insensitive
- CE Approved



Mounting Bracket
Part Number 161-800-00

Type 3215 Weatherproof Regulators

Type 3215 Ordering Information

215		0	G	P		00	
	↑	↑	↑	↑	↑	↑	Logic Output
	M						CMOS
	T						TTL
	O						Open-Collector
	Z						No Logic Output
							Analog Control Signal
	E						0-10V
	I						4-20mA
							Lower Output Pressure
							Lower Limit of Output Pressure
							Pressure Units
							PSIG
							Upper Output Pressure
						030	30 PSIG
						100	100 PSIG
						150	150 PSIG
							Mounting
							Pipe (in-line)
							Supply and Output Ports
						3	3/8 NPT
						4	1/2 NPT
						6	3/4 NPT
						8	1 NPT
							Connector
						1	Micro Connector
						D	DIN 43650 Connector
							Options
						00	None

Type 3215		
Performance	Full-Scale Accuracy 1.0%	
Electrical Inputs		
Supply Voltage	15-24VDC (12VDC option)	
Stand by Supply Current	80 mA	
Maximum Supply Current	325 mA	
E/P Control	0-10V, 10K OHMS	
I/P Control	4-20 mA, 250 OHMS	
Electrical Outputs		
Monitor Output	0-10V	
Logic Output	CMOS, TTL, Open-Collector	
Pneumatic Inputs		
	Max. Output PSIG (BAR)	Max. Supply PSIG (BAR)
	Up to 5 (.35)	20 (1.4)
	>5 to 15 (.35-1.03)	30 (2.1)
	>15 to 30 (1.03-2.1)	60 (4.1)
	>30 to 100 (2.1-6.9)	165 (11.4)
	>100 to 150 (6.9-10.3)	200 (13.8)
Pneumatic Outputs		
Full-scale Atmospheric Pressure Ranges	30, 100, 150, PSIG	
Forward Flow Capacity	2.07, 6.9, 10.34 BAR	
Exhaust Flow Capacity	180 SCFM (5100 LPM)	
	30 SCFM (850 LPM)	
Environmental		
Operating Temperature	32-141 °F (0-60 °C)	
Media-Wetted Materials	Aluminum, copper alloys, nickel, buna-n, silicon, 316SS	
Required Accessories	4 or 6-pin micro cordset	
Recommended Accessories	Panel Bracket, Power Supply, Control Knob	