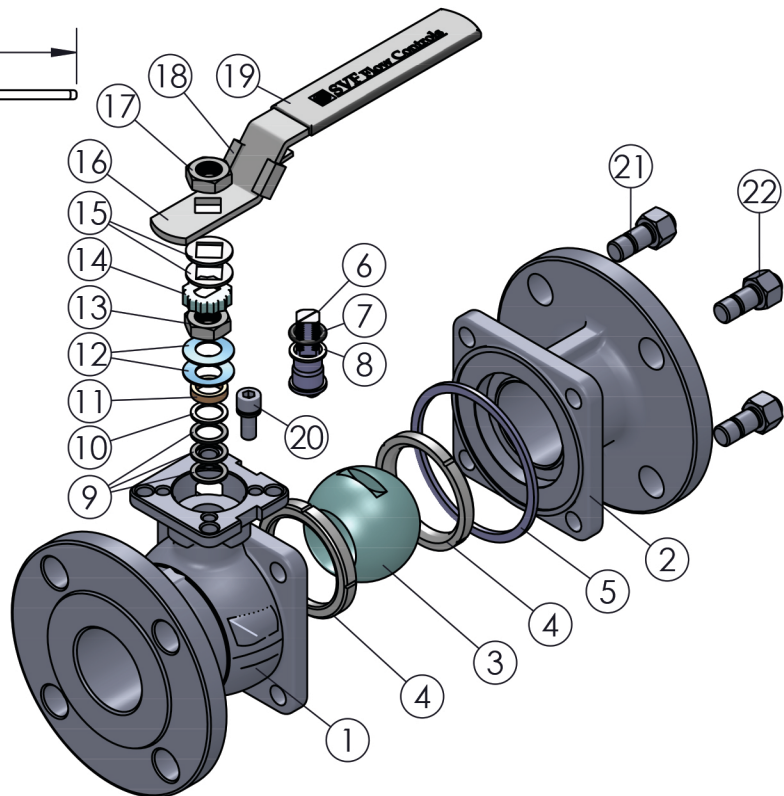
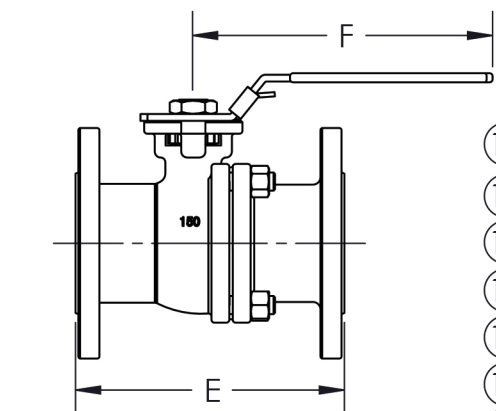
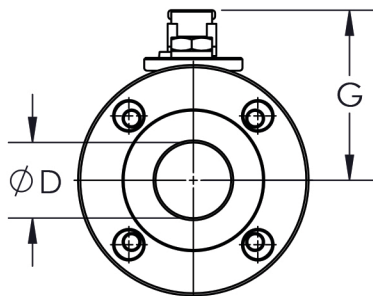


*AT FULL DIFFERENTIAL PRESSURE

SIZE	A	øD	E	F	G	J	øK1	øK2	øL1	øL2	ISO 5211	WEIGHT (lbs)	Cv	TORQUE* (in-lbf) TFM1600	TORQUE* (in-lbf) SUPRALON
1/2"	0.36 (9)	0.59 (15)	4.25 (108)	5.70 (145)	3.07 (78)	0.35 (9)	0.24 (6)	0.24 (6)	1.42 (36)	1.65 (42)	F03-F04	4	25	72	91
3/4"	0.49 (12)	0.79 (20)	4.62 (117)	5.70 (145)	3.31 (84)	0.35 (9)	0.24 (6)	0.28 (7)	1.42 (36)	1.97 (50)	F03-F05	5	45	81	98
1"	0.57 (14)	0.98 (25)	5.00 (127)	6.90 (175)	3.52 (89)	0.43 (11)	0.24 (6)	0.28 (7)	1.65 (42)	1.97 (50)	F04-F05	6	85	130	172
1-1/2"	0.70 (18)	1.50 (38)	6.50 (165)	7.50 (190)	4.21 (107)	0.55 (14)	0.28 (7)	0.35 (9)	1.97 (50)	2.76 (70)	F05-F07	13	200	299	368
2"	0.59 (15)	1.97 (50)	7.00 (178)	7.50 (190)	4.41 (112)	0.55 (14)	0.28 (7)	0.35 (9)	1.97 (50)	2.76 (70)	F05-F07	24	320	371	460
2-1/2"	0.67 (17)	2.48 (63)	7.50 (190)	10.45 (265)	5.91 (150)	0.67 (17)	0.35 (9)	0.43 (11)	2.76 (70)	4.02 (102)	F07-F10	30	450	598	728
3"	0.67 (17)	2.99 (76)	8.00 (203)	11.80 (300)	6.30 (160)	0.67 (17)	0.35 (9)	0.43 (11)	2.76 (70)	4.02 (102)	F07-F10	38	600	988	1209
4"	0.82 (21)	3.94 (100)	9.00 (229)	15.75 (400)	8.03 (204)	0.87 (22)	N/A	0.43 (11)	N/A	4.02 (102)	F10	69	1650	1508	1846
6"	1.12 (28)	5.91 (150)	15.50 (394)	31.50 (800)	10.85 (275)	1.06 (27)	0.55 (14)	N/A	4.92 (125)	N/A	F12	161	2600	4160	5200
8"	1.12 (28)	7.87 (200)	18.00 (457)	31.50 (800)	11.00 (279)	1.06 (27)	0.55 (14)	N/A	4.92 (125)	N/A	F12	277	4200	6500	8060



PRODUCT INFORMATION:

- LIVE-LOADED STEM PACKING
- STANDARD LOCKING HANDLE
- BALL IS VENTED ON THE STEM SLOT AREA
- ANTI-STATIC DEVICE
- COMPLETE VALVE AUTOMATION

OPTIONS:

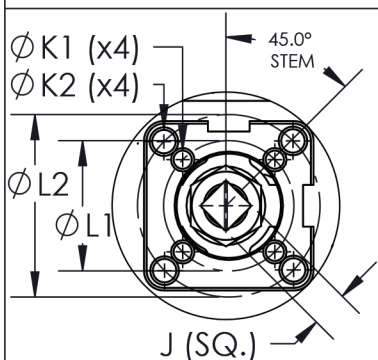
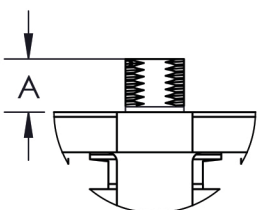
- ISO STEM EXTENSION
- STEAM JACKET

APPLICABLE STANDARDS:

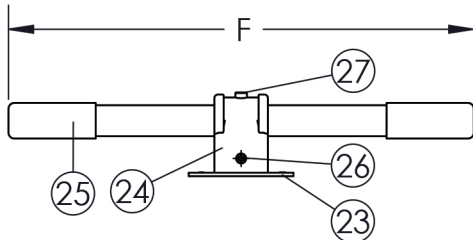
- NACE MR0175
- ASME B16.34: DESIGN AND WALL THICKNESS
- ASME B16.10: FACE TO FACE
- ASME B16.5: END FLANGE
- API 598: INSPECTION AND TESTING
- AP1 607: FIRE SAFE (WITH GRAFOIL BODY SEALS ONLY)
- ISO 5211: MOUNTING
- USP CLASS VI: CONFIRMATION OF COMPLIANCE (TFM1600/PTFE MATERIAL)

ITEM NO.	DESCRIPTION	MATERIALS		QTY.
1	BODY	A351-CF8M	A216-WCB	1
2	END	A351-CF8M	A216-WCB	1
3	BALL	A351-CF8M		1
4	SEAT	TFM1600	SUPRALON	2
5	BODY SEAL	316+GRAFOIL	PTFE	1
6	STEM	A276-316		1
7	O-RING	VITON		1
8	STEM THRUST WASHER	SUPRALON	TFM1600	1
9	STEM SEAL	GRAFOIL	PTFE	3
10	BUSHING	304 STAINLESS STEEL		1
11	GLAND FOLLOWER	316 STAINLESS STEEL		1
12	BELLEVILLE WASHER	301 STAINLESS STEEL		2
13	STEM NUT	A194-8		1
14	TAB LOCK	304 STAINLESS STEEL		1
15	HANDLE GLAND	304 STAINLESS STEEL		2
16	HANDLE (SIZES 1/2" - 2-1/2")	304 STAINLESS STEEL		1
17	HANDLE NUT	A194-8		1
18	LOCKING DEVICE (SIZES 1/2" - 2-1/2")	304 STAINLESS STEEL		1
19	HANDLE SLEEVE	PVC		1
20	STOP PIN	A193-B8		1
21	BODY BOLT	A193-B8		4
22	BODY NUT	A194-8		4
23	TRIANGULAR STOPPER (SIZES 3" - 8")	304 STAINLESS STEEL		1
24	PIPE HANDLE ADAPTER (SIZES 3" - 8")	A351-CF8		1
25	PIPE HANDLE (SIZES 3" - 8")	304 STAINLESS STEEL		1
26	PIPE HANDLE SET SCREW (SIZES 3" - 8")	A193-B8		1
27	ADAPTER SET SCREW (SIZES 3" - 8")	A193-B8		1

TOPWORKS:



SIZES 3" - 8" WITH PIPE HANDLE:



DRAWN BY E.P.	DATE 07/06/2017
CHECKED BY E.G.	DATE 10/27/2017
APPROVED BY J.S. <small>(FOR SEP ONLY IF NOT APPROVED)</small>	DATE 10/27/2017

THE INFORMATION CONTAINED IN THIS DRAWING IS THE SOLE PROPERTY OF SVF FLOW CONTROLS, INC. ANY REPRODUCTION IN PART OR IN WHOLE WITHOUT THE WRITTEN CONSENT OF SVF FLOW CONTROLS, INC. IS PROHIBITED.



DESCRIPTION:
1/2" - 8" B41C FLANGED BALL VALVE, ANSI CLASS 150, FULL PORT



UNITS: INCH (MILLIMETERS) DATE: 10/27/2017 REV: B