

Manifold Valves, 2-Valve  
**Meter Manifold, Soft Seat**

# 2180 SERIES



Optional 3 and 5 valve configurations also shown.  
 Additional needle valves sold separately.

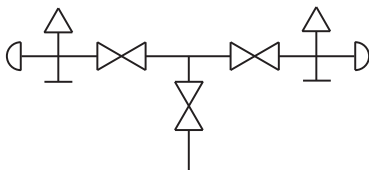
- Designed for use with orifice meters
- 100% helium leak tested to  $1 \times 10^{-4}$  ml/s for guaranteed performance and reliability
- 6,000 psi pressure rating @ 200 °F
- Replaceable Delrin® seat and straight through porting for bidirectional, high capacity flow and easy roddable cleaning
- Blow-out proof stem provides a secondary stem seal in the full open position
- FKM o-ring seal and PTFE back-up ring below the stem threads to protect from corrosion and galling; PTFE packing optional
- All stems are 316 stainless steel
- All stem threads are rolled for strength and ease of operation
- One-piece bonnet with a metal-to-metal seal to the valve body below the bonnet threads
- Slotted spring pin to prevent accidental loosening
- Vinyl dust caps for bonnets and stems (non-packing)

## Flow Schematics

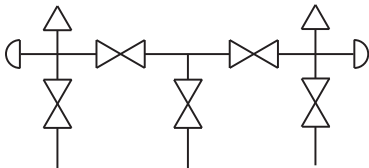
### 2-Valve



### 3-Valve



### 5-Valve



## SPECIFICATIONS

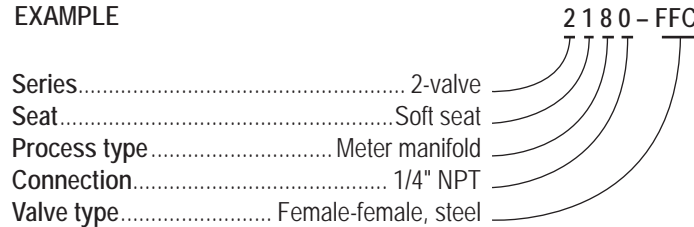
Materials	Zinc-nickel plated steel, electropolished 316 stainless steel
Connection	1/4" NPT
Pressure rating	6,000 psi @ 200 °F
Orifice size	0.187"
Flow coefficient	$C_v$ 0.76
Stem seal & type	All 316 stainless steel stems with FKM o-ring and PTFE back-up ring below the threads, PTFE packing optional
Options	Panel mountings, o-ring materials, handles, packings, regulating stem and stem tips
Weight	Approximately 4.8 lb. (2-valve model)

NOTE: All NOSHOK valve products conform to the MSS SP-99 instrument valves standards, and valves supplied with packing also conform to MSS SP-132 compression packing systems for instrument valves standard.

ORDERING INFORMATION	
SERIES	2 2-valve
SEAT	1 Soft seat
PROCESS TYPE	8 Meter manifold
CONNECTION	0 1/4" NPT
VALVE TYPES	FFC Female-Female, Steel      FFS Female-Female, Stainless Steel

Please consult your local NOSHOK Distributor or NOSHOK, Inc. for availability and delivery information.

**EXAMPLE**



To meet all of your specific application requirements, the following additional options are available for these manifold valves. To order all or any of these options, simply add them to the part number as shown in the diagram below.

**NOTE 1:** The example shown includes ALL possible additional options. Please include ONLY the options required for your application when building your part number. (EXAMPLE: 2180-FFC-P1)

**NOTE 2:** When a packing option is selected, an o-ring option is NOT available.

**NOTE 3:** The standard o-ring in all the NOSHOK manifold valves is FKM.

ORDERING INFORMATION - ADDITIONAL OPTIONS			
PACKINGS	P1 PTFE		
STEM TIP	T1 Non-rotating (316 stainless)		
O-RINGS*	EM1 EPDM	KZ1 FFKM (Kalrez® 3018 or equivalent)	NB1 NBR
HANDLES	HL3 1" Round knurled	HL4 1-3/8" Phenolic	HL5 1-3/4" Phenolic

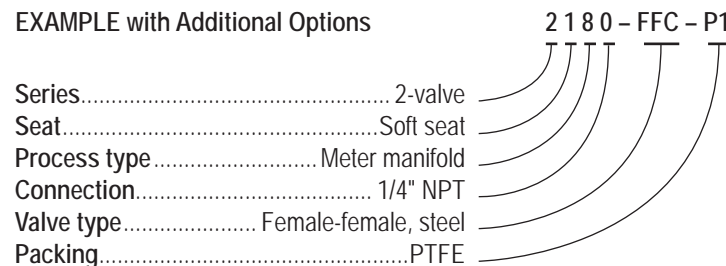
Please consult your local NOSHOK Distributor or NOSHOK, Inc. for availability and delivery information.

\* Other o-ring materials available on request.

Please note that the standard o-ring in all the NOSHOK valves is FKM and the standard handles are "T" handles (HL2).

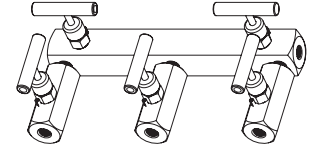
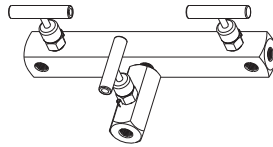
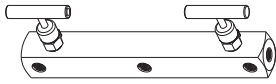
The handle material will always match the material of the valve, unless otherwise specified. For example, the "T" handle (HL2) on the 2180-FFC will be steel. When only the standard configuration is needed, no additional designations are necessary. Please consult the factory for special application requests.

**EXAMPLE with Additional Options**

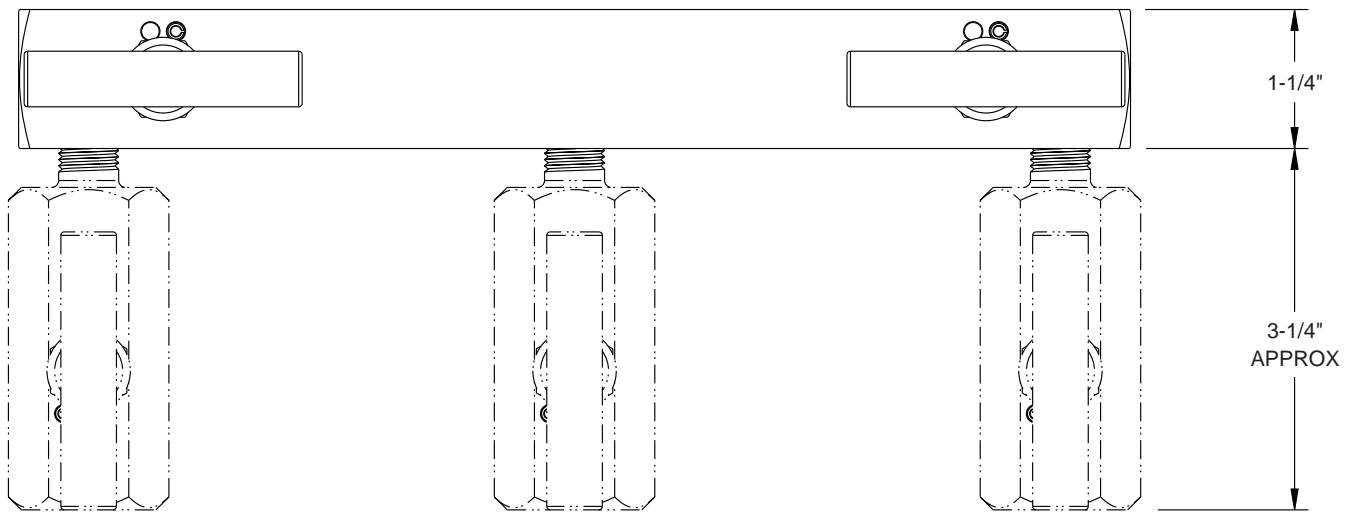


# Dimensions

## Female-Female



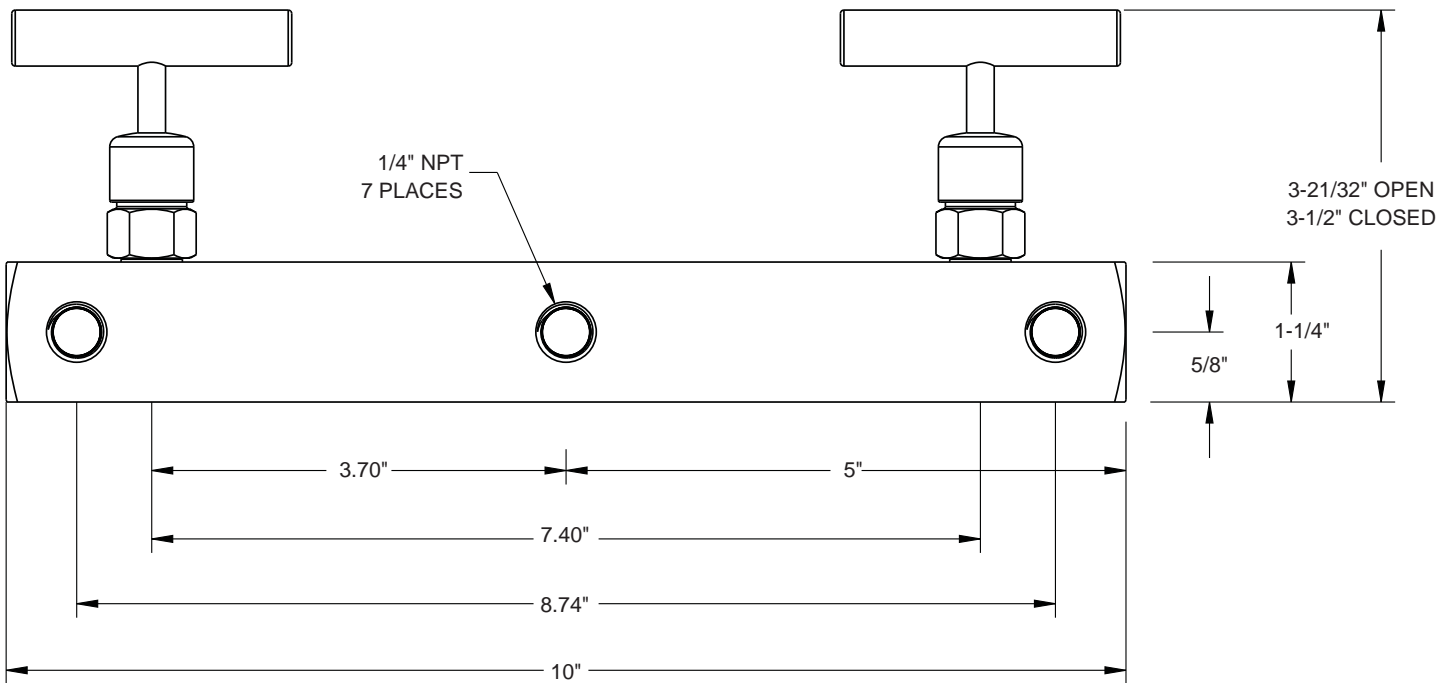
Optional 3 and 5 valve configurations also shown.  
Additional needle valves sold separately.



BLOCK VALVE

BLEED VALVE

BLOCK VALVE



For panel mount and  
packing dimensions,  
see pgs. 64-65.