

Type 1220 General Service Pressure Gauge Available With **PLUS!™** Performance Option



4½" Case Shown



- Available in 4½", 6" and 8½" dial sizes
- Solid-front style
- Lower or back connect
- **PLUS!™ Performance Option:**
 - Liquid-filled performance in a dry gauge
 - Fights vibration and pulsations without liquid-filled headaches

The Ashcroft® Type 1220 is a versatile general service gauge. The phenolic case resists many corrosive environments and is available in three dial sizes. Lower and back connections allow the gauge to be used for many installations.

TEMPERATURE LIMITS			
	Ambient	Process	Storage
Dry	-20/200°F (-29/93°C)	-20/250°F (-29/121°C)	-40/250°F (-40/121°C)

Note: Other than discoloration of the dial and hardening of the gasketing that may occur as ambient or process temperatures exceeds 150°F, non-liquid-filled gauges with standard glass windows, can withstand continuous operating temperatures up to 250°F (121°C). Accuracy at temperatures above or below the reference ambient temperature of 68°F (20°C) will be affected by approximately .4% per 25°F (4°C). Gauges with welded joints will withstand 750°F (450°F (232°C) with silver brazed joints) for short times without rupture, although other parts of the gauge will be destroyed and calibration will be lost. For continuous use and for process or ambient temperatures above 250°F (121°C), a diaphragm seal or capillary or siphon is recommended.

PRODUCT SPECIFICATIONS

Model No.:	1220
Accuracy:	1% full scale (Grade 1A, ASME B40.100)
Ranges:	Vac., compound to 30,000 psi
Dial Size:	4½", 6" and 8½" diameter
Case Material and Style:	4½" Black phenolic, solid front 6" Black polypropylene, solid front 8½" Black aluminum, solid front
Weather Protection:	Dry Case: IP54
Ring:	Threaded reinforced black polypropylene
Window:	Glass
Dial:	Aluminum, white background, black figures and intervals.
Pointer:	Micrometer adjustable
Movement:	Rotary, 400 SS
Bourdon Tube Socket:	C510 Phos. bronze/brass (A) 316L SS/316L SS (S) K Monel/ Monel (P)
Connection Size:	¼", ½" NPT
Connection Location:	Lower or back

OPTIONAL FEATURES

PLUS! Performance:	XLL
Hermetic Seal:	H
Flush Mounting Ring:	X56 (4½" Case)
Receiver Gauge:	XPR
Shatter Proof Glass Window:	XSG
Acrylic Window:	XPD
Set Hand:	XSH
Maximum Pointer:	XEP

HOW TO ORDER:

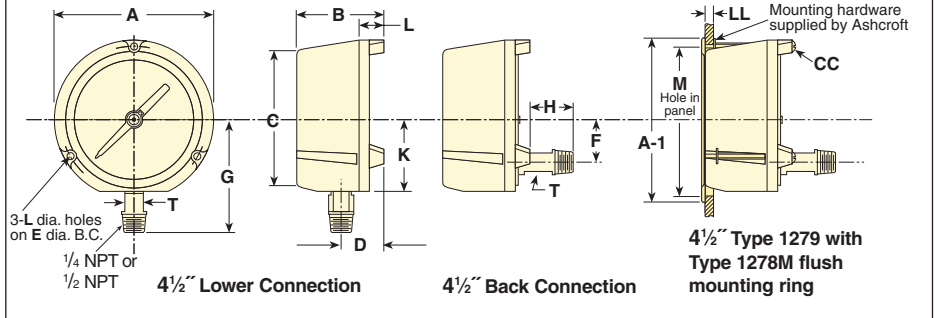
1. Dial size—4½", 6" and 8½" _____	45	1220	A	02L	XXX	1,000#
2. Case type—1220 _____						
3. Tube and socket material _____						
4. Connection size—¼ (02), ½ (04) _____						
5. Connection location—Lower (L), Back (B) _____						
6. Optional features—see page 1 _____						
7. Standard pressure range—1000 psi _____						

Type 1220 General Service Pressure Gauge Available With PLUS!™ Performance Option

STANDARD RANGE TABLE*

Pressure		
psi	kg/cm ² - bar	kPa
0/15	0/1	0/100
0/30	0/1.6	0/160
0/60	0/2.5	0/250
0/100	0/4	0/400
0/160	0/6	0/600
0/200	0/10	0/1000
0/300	0/16	0/1600
0/400	0/25	0/2500
0/600	0/40	0/4000
0/800	0/60	0/6000
0/1000	0/100	0/10,000
0/1500	0/160	0/16,000
0/2000	0/250	0/25,000
0/3000	0/400	0/40,000
0/4000	0/600	0/60,000
0/5000	0/1000	0/100,000
0/6000		
0/7500		
0/10,000		
0/15,000		
0/20,000		
Vacuum		
30 in./0 in.Hg	-1/0	-100/0
Compound		
30 in.Hg/15 psi	-1/0/1.5	-100/0/150
30 in.Hg/30 psi	-1/0/3	-100/0/300
30 in.Hg/60 psi	-1/0/5	-100/0/500
30 in.Hg/100 psi	-1/0/9	-100/0/900
30 in.Hg/150 psi	-1/0/15	-100/0/1500
30 in.Hg/300 psi	-1/0/24	-100/0/240

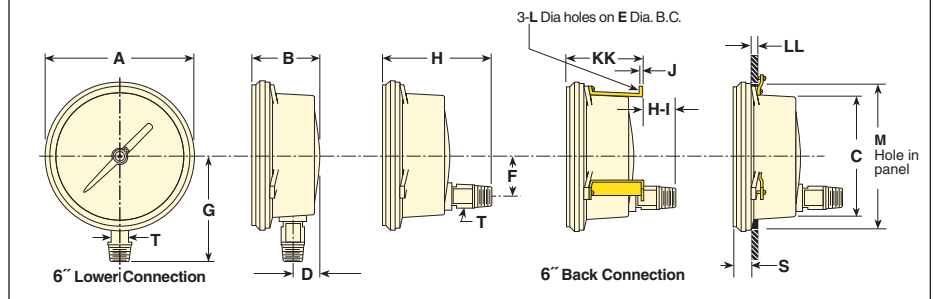
Type 1220 - 4½" Lower & Back Connection Dimensions



Dial Size Inches	A	B	C	D	E	F	G	H	J	L	T	V	Weight (lbs)
4½	5¼ (148)	3⅝ (86)	5⅛ (129)	1⅝ (41)	5⅝ (137)	1⅝ (41)	3⅝ (100)	¾ (20)	1 (25)	.218 (6)	⅝ (16)	2⅝ (67)	2½

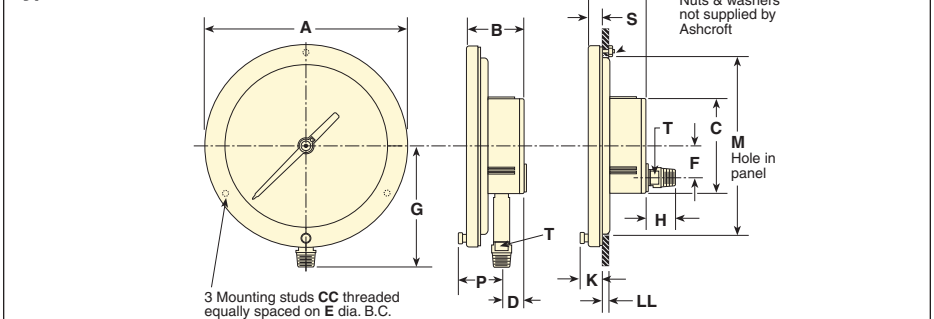
Type 1278 Flush Mounting Ring Gauge Type	M	CC	LL
4½" Types 1279 & 1379	6 (152)	5⅝ (136)	⅝ - ⅝ (3)-(8)

Type 1220 - 6" Lower & Back Connection Dimensions



Dial Size Inches	A	B	C	D	E	F	G	H	H-1	J	KK	L	LL		M	S	T	Wgt. (lbs)
													Min.	Max.				
6	6⅝ (163)	2⅞ (62)	4¾ (120)	⅞ (22)	5⅝ (137)	1⅝ (42)	3⅝ (100)	4⅞ (116)	4⅞ (109)	⅝ (2)	2⅞ (69)	.218 (6)	⅞ (2)	½ (13)	6 (152)	1⅞ (17)	⅝ (16)	6

Type 1220 - 8½" Lower & Back Connection Dimensions



Dial Size Inches	A	B	C	D	E	F	G	H	K	M	P	S	T	U	CC	LL	Weight (lbs)
8½	10⅞ (257)	2⅞ (73)	4¾ (121)	1⅞ (27)	9⅝ (244)	1⅝ (41)	6 (152)	1⅝ (35)	1⅞ (27)	9 (229)	2⅞ (54)	⅝ (16)	⅝ (16)	¾ (19)	⅞-20 (3)(13)	4½	

Type 1220 General Service Pressure Gauge Available With *PLUS!*[™] Performance Option

BOURDON SYSTEM SELECTION

Ordering Code Conn.(2)	Bourdon Tube & Tip Material(1) (all joints TIG welded except "A")	Socket Material	Tube	Range Selection Type	NPT Conn.(2)
A	Phosphor Bronze Brass Tip, Silver Brazed	Brass	C-Tube	12/1000	¼
S	316 stainless steel	316 stainless steel	C-Tube	12/1500	¼
			Helical	2000/20,000	½
P(4)	K Monel	Monel 400	C-Tube	15/1500	¼
			Helical	2000/30,000	½

- (1) For selection of the correct Bourdon system material, see the media application table.
 (2) Optional connections available: ½ NPT where ¼ NPT is standard, ¼ NPT where ½ NPT is standard.
 (3) Single-scale and dual-scale ranges available.
 (4) 6" and 8½" dial not available with monel system.