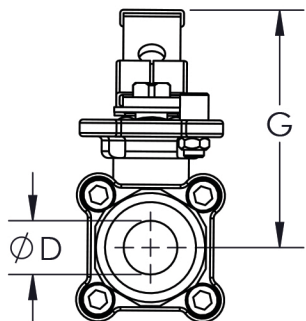


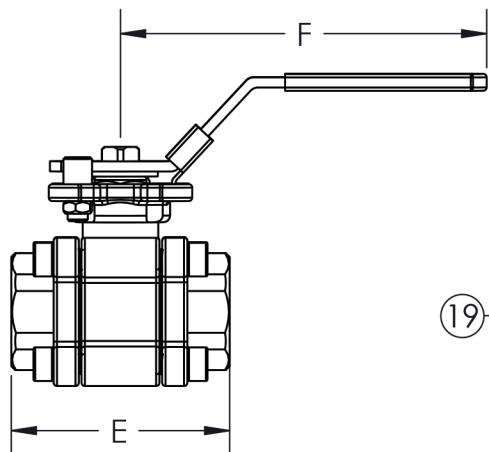
* AT FULL DIFFERENTIAL PRESSURE FOR CLEAN FLUIDS WITH TFM1600 SEATS

SIZE	A	øD	E	F	G	J	øK1	øK2	øL1	øL2	øO1	FNPT THREAD	ISO 5211	WEIGHT (lbs)	Cv	TORQUE* (in-lbf)	BODY BOLT SIZE
1/2"	0.43 (11)	0.63 (16)	2.56 (65)	4.61 (117)	2.83 (72)	0.35 (9)	0.24 (6)	0.24 (6)	1.42 (36)	1.65 (42)	0.87 (22)	1/2"-14NPT	F03-F04	1	11	67	M6-1.0 X 16
3/4"	0.55 (14)	0.79 (20)	2.95 (75)	5.00 (127)	3.11 (79)	0.43 (11)	0.24 (6)	0.24 (6)	1.42 (36)	1.65 (42)	1.06 (27)	3/4"-14NPT	F03-F04	2	21	104	M8-1.25 X 20
1"	0.47 (12)	0.98 (25)	3.35 (85)	6.69 (170)	3.35 (85)	0.43 (11)	0.24 (6)	0.28 (7)	1.65 (42)	1.97 (50)	1.34 (34)	1"-11.5NPT	F04-F05	3	34	122	M8-1.25 X 20
1-1/2"	0.63 (16)	1.50 (38)	4.33 (110)	7.17 (182)	4.13 (105)	0.55 (14)	0.28 (7)	0.35 (9)	1.97 (50)	2.76 (70)	1.97 (50)	1-1/2"-11.5NPT	F05-F07	8	80	213	M10-1.5 X 30
2"	0.63 (16)	1.97 (50)	5.12 (130)	7.17 (182)	4.49 (114)	0.55 (14)	0.28 (7)	0.35 (9)	1.97 (50)	2.76 (70)	2.44 (62)	2"-11.5NPT	F05-F07	15	148	305	M12-1.75 X 40

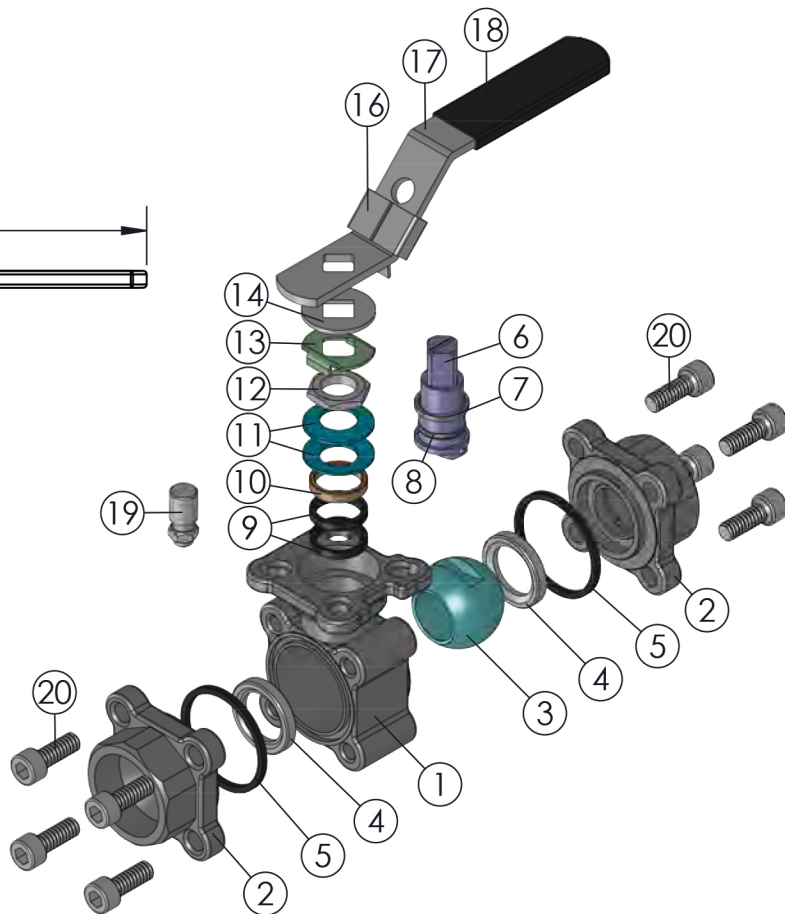
1



2



3



PRODUCT INFORMATION:

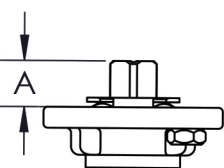
1. END CONNECTIONS AVAILABLE IN: SCREWED (FNPT), SOCKET WELD
2. SERVICES INCLUDE: OXYGEN CLEANING, DEGREASING, VENT/RELIEF HOLE
3. BALL IS VENTED ON THE STEM SLOT AREA
4. ANTI-STATIC DEVICE
5. STANDARD LOCKING HANDLE
6. ENCAPSULATED BODY SEALS
7. BLOW OUT PROOF STEM
8. ALL STAINLESS STEEL PASSIVATED
9. COMPLETE DIRECT MOUNT VALVE AUTOMATION

APPLICABLE STANDARDS:

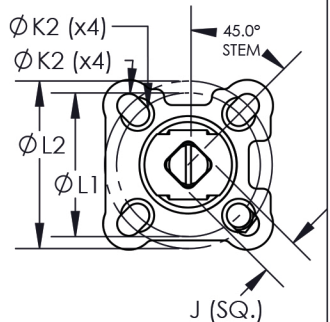
1. ASME B16.34: DESIGN
2. API 598: INSPECTION AND TESTING
3. ISO 5211: MOUNTING
4. ANSI B1.20.1: NPT
5. ANSI B16.11: FORGED STEEL FITTINGS, SOCKET-WELDING
7. USP CLASS VI: CONFIRMATION OF COMPLIANCE (TFM1600/PTFE MATERIAL)
8. ANSI CLASS 600 RATING APPLIES TO 1/2" - 2" B9 VALVES WITH TFM1600 SEATS

4

TOPWORKS

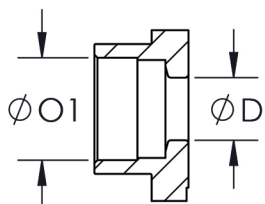


5

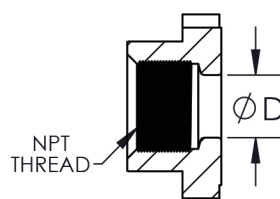


6

END CONFIGURATIONS:



SOCKET WELD END



SCREWED END

ITEM NO.	DESCRIPTION	MATERIALS	QTY.
1	BODY	A351-CF8M A216-WCB	1
2	END	A351-CF3M A216-WCB	2
3	BALL	A351-CF8M	1
4	SEAT	TFM1600 DELRIN PEEK	2
5	BODY SEAL	PTFE BUNA GRAFOIL	2
6	STEM	AISI-316	1
7	STEM THRUST WASHER	TF4215	1
8	O-RING	VITON	1
9	STEM SEAL	TF4215	2
10	GLAND FOLLOWER	304 STAINLESS STEEL	1
11	BELLEVILLE WASHER	301 STAINLESS STEEL	2
12	JAM NUT	304 STAINLESS STEEL	1
13	LOCK TAB	304 STAINLESS STEEL	1
14	SPACER	304 STAINLESS STEEL	1
15	HANDLE NUT	304 STAINLESS STEEL	1
16	LOCKING DEVICE	316 STAINLESS STEEL	1
17	LEVER HANDLE	304 STAINLESS STEEL	1
18	HANDLE SLEEVE	PVC	1
19	STOP PIN	304 STAINLESS STEEL	1
20	BODY BOLT	304 STAINLESS STEEL	8

DRAWN BY C.L.	DATE 11/20/2017
CHECKED BY E.P.	DATE 01/18/2019
APPROVED BY J.S. <small>(FOR REV ONLY FIRST APPROVED)</small>	DATE 01/08/2019
<small>THE INFORMATION CONTAINED IN THIS DRAWING IS THE SOLE PROPERTY OF SVF FLOW CONTROLS, INC. ANY REPRODUCTION IN PART OR IN WHOLE WITHOUT THE WRITTEN CONSENT OF SVF FLOW CONTROLS, INC. IS PROHIBITED.</small>	PROJECTION THIRD ANGLE:



DESCRIPTION:
1/2" - 2" B9 3-PIECE BALL VALVE, FULL PORT

UNITS: INCH (MILLIMETERS) DATE: 01/08/2019 REV: C

A

B

C

D

E

F

G

6