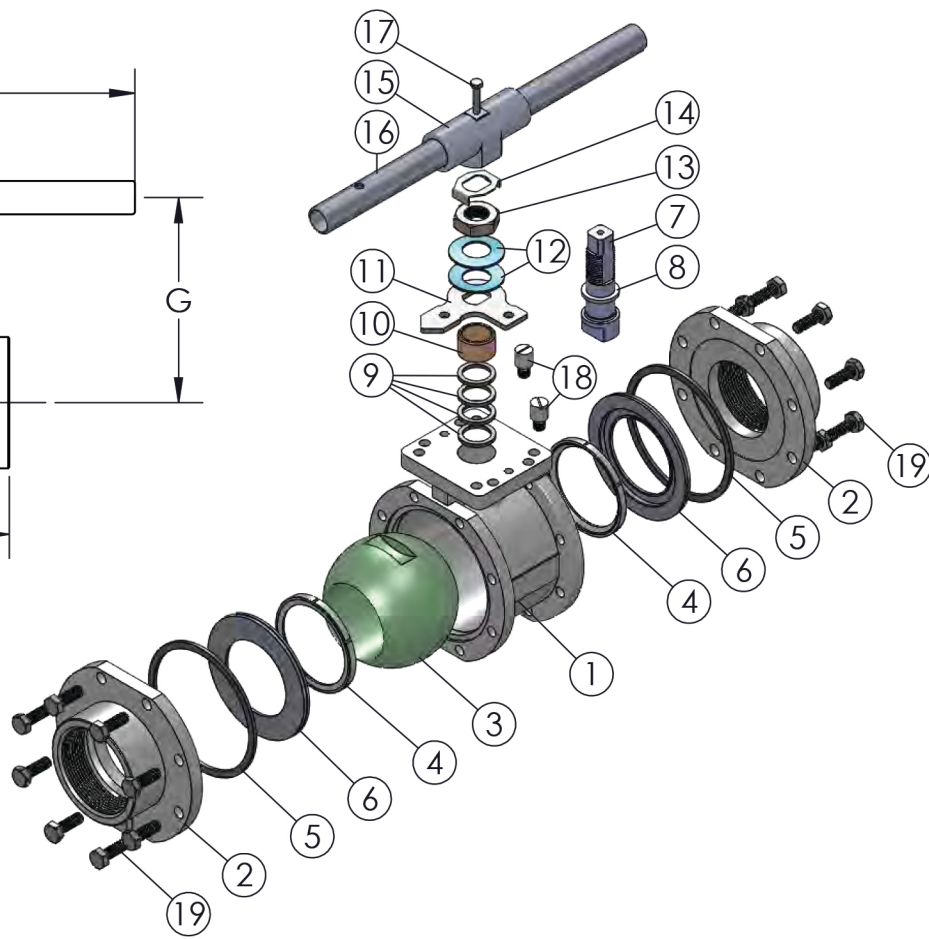
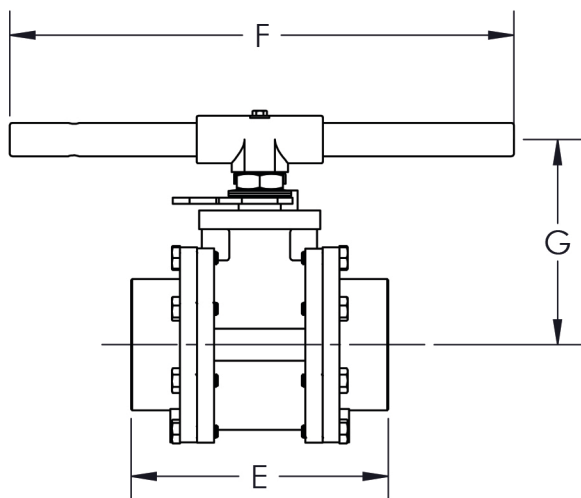


* AT FULL DIFFERENTIAL PRESSURE FOR CLEAN FLUIDS WITH TFM1600 SEATS

| SIZE | A | øB | C | øD | E | F | G | H1 | H2 | J1 | K1 | K2 | øL1 | øL2 | øL3 | øM1 | øM2 | øN1 | øN2 | O1 | NPT THREAD | ISO 5211 | WEIGHT (lbs) | Cv | TORQUE* (in-lb) | BODY BOLT SIZE |
|------|-----------|-----------|-----------|-----------|------------|-------------|------------|-----------|------------|-----------|---------|----------|-----------|-----------|------------|------------|------------|------------|------------|-----------|------------|----------|--------------|------|-----------------|----------------|
| 3" | 0.71 (18) | 1.89 (48) | 1.85 (47) | 2.95 (75) | 8.03 (204) | 15.75 (400) | 6.77 (172) | 3.78 (96) | 4.02 (102) | 0.75 (19) | M10-1.5 | 0.31 (8) | 3.15 (80) | 3.74 (95) | 4.02 (102) | 3.54 (90) | 4.09 (104) | 3.07 (78) | 3.54 (90) | 0.63 (16) | 3" NPT | F10 | 36 | 580 | 987 | M10-1.50 X 30 |
| 4" | 0.71 (18) | 1.89 (48) | 1.85 (47) | 3.78 (96) | 9.45 (240) | 15.75 (400) | 7.28 (185) | 3.78 (96) | 4.02 (102) | 0.75 (19) | M10-1.5 | 0.31 (8) | 3.15 (80) | 3.74 (95) | 4.02 (102) | 4.65 (118) | 5.35 (136) | 4.06 (103) | 4.53 (115) | 0.79 (20) | 4" NPT | F10 | 56 | 2400 | 1009 | M12-1.75 X 30 |



PRODUCT INFORMATION:

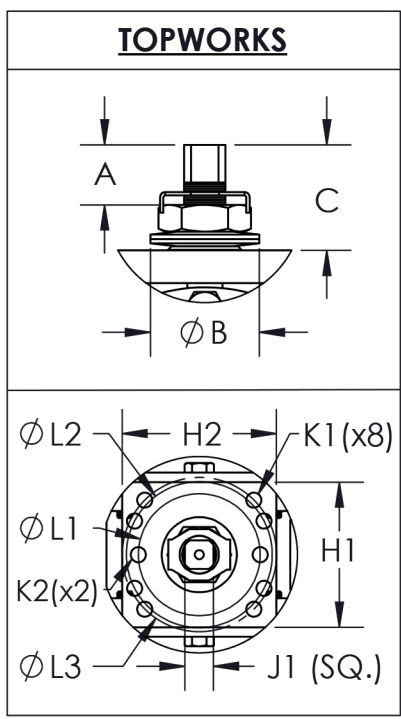
1. END CONNECTIONS AVAILABLE IN: SCREWED (FNPT), SOCKET WELD, BUTT WELD (SCH-40 OR SCH-10)
2. SERVICES INCLUDE: OXYGEN CLEANING, DEGREASING, UPSTREAM VENT/RELIEF HOLE
3. FS7 VALVE WOULD NOT BE FIRE SAFE IF SUPPLIED WITH PTFE BODY SEALS.
4. BALL IS VENTED ON THE STEM SLOT AREA
5. ALL STAINLESS STEEL PASSIVATED
6. MANGANESE PHOSPHATE COATING ON WCB CARBON STEEL.
7. LOCKING DEVICE IS A STANDARD COMPONENT
8. COMPLETE VALVE AUTOMATION

OPTIONS:

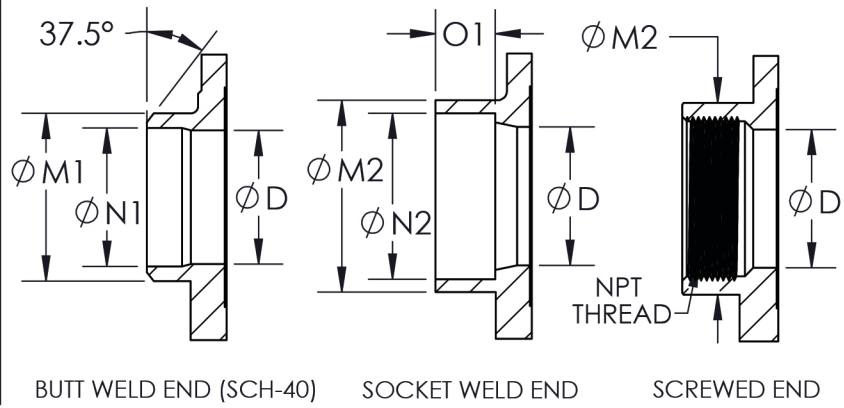
1. ISO STEM EXTENSION
2. ANTI-STATIC DEVICE

APPLICABLE STANDARDS:

1. ASME B16.34: DESIGN
2. API 598: INSPECTION AND TESTING
3. API 607: FIRE TESTED
4. ISO 5211: MOUNTING
5. ANSI B1.20.1: NPT
6. ANSI B16.11: FORGED STEEL FITTINGS, SOCKET-WELDING
7. ANSI B16.25: BUTT WELD ENDS
8. USP CLASS VI: CONFIRMATION OF COMPLIANCE (TFM1600/PTFE MATERIAL)



END CONFIGURATIONS:



| ITEM NO. | DESCRIPTION | MATERIALS | QTY. |
|----------|--------------------|---------------------|------|
| 1 | BODY | A351-CF8M A216-WCB | 1 |
| 2 | END | A351-CF8M A216-WCB | 2 |
| 3 | BALL | A351-CF8M | 1 |
| 4 | SEAT | TFM1600 NRG | 2 |
| 5 | BODY SEAL | GRAFOIL PTFE | 2 |
| 6 | SEAT RETAINER | A351-CF8M | 2 |
| 7 | STEM | A276-316 | 1 |
| 8 | STEM THRUST WASHER | TFM1600 SUPRALON | 1 |
| 9 | STEM SEAL | GRAFOIL TFM1600 | 4 |
| 10 | GLAND FOLLOWER | 304 STAINLESS STEEL | 1 |
| 11 | STOP PLATE | 316 STAINLESS STEEL | 1 |
| 12 | BELLEVILLE WASHER | 301 STAINLESS STEEL | 2 |
| 13 | STEM NUT | 304 STAINLESS STEEL | 1 |
| 14 | LOCK TAB | 304 STAINLESS STEEL | 1 |
| 15 | HANDLE ADAPTER | 316 STAINLESS STEEL | 1 |
| 16 | PIPE HANDLE | 316 STAINLESS STEEL | 1 |
| 17 | HANDLE BOLT | 304 STAINLESS STEEL | 1 |
| 18 | STOP PIN | 304 STAINLESS STEEL | 2 |
| 19 | BODY BOLT | 304 STAINLESS STEEL | 16 |

| | |
|--|--------------------|
| DRAWN BY E.P. | DATE 06/07/2017 |
| CHECKED BY E.G. | DATE 07/02/2018 |
| APPROVED BY J.S. <small>(FOR REP ONLY IF NOT APPROVED)</small> | DATE 07/02/2018 |

THE INFORMATION CONTAINED IN THIS DRAWING IS THE SOLE PROPERTY OF SVF FLOW CONTROLS, INC. ANY REPRODUCTION IN PART OR IN WHOLE WITHOUT THE WRITTEN CONSENT OF SVF FLOW CONTROLS, INC. IS PROHIBITED.



DESCRIPTION:
3" - 4" FS7 3-PIECE FIRE SAFE BALL VALVE, REGULAR PORT
UNITS: INCH (MILLIMETERS) DATE: 07/02/2018 REV: C

