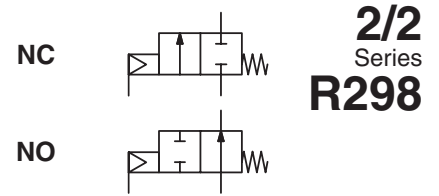




# VALVES

pressure operated  
for steam applications  
pad-mounting, PN40, DN 10, 20 and 32



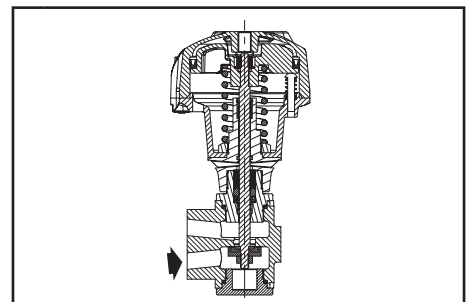
## FEATURES

- Compact 2/2 NC-NO disc valve, stainless steel body, pad-mounting body
- Ruggedly built, particularly recommended for:
  - use with superheated water and steam, up to max. 240°C
  - high ambient temperatures, up to 180°C
  - use in corrosive environments
- Valve equipped with a piston operator
- Allowable backpressure 20 bar<sup>(1)</sup>
- Optical position indicator as standard
- Reliable operation at low pilot pressures
- High-performance, maintenance-free stuffing box
- The valves satisfy Pressure Equipment Directive 2014/68/EU, article 4.3

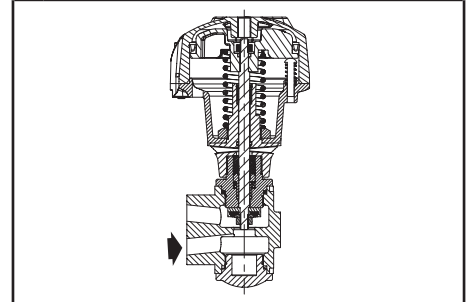
## GENERAL

| fluids (*)   | temperature range | disc seal (*) |
|--|-------------------|---------------|
| DN ≤ 20: air and gas groups 1 & 2<br>DN = 32: air and gas group 2<br>all DN: superheated water, liquids groups 1 & 2 and steam | -10°C to +240°C   | PEEK          |

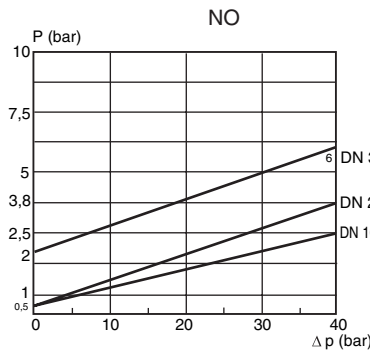
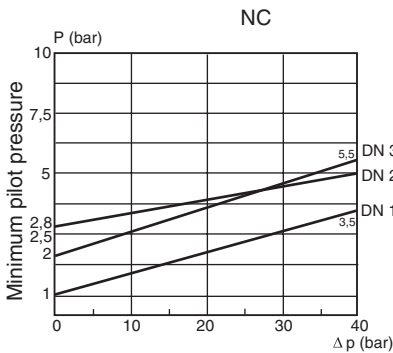
**Differential pressure** 0 to 40 bar [1 bar = 100 kPa]  
**Maximum allowable pressure** 40 bar (within the specified limits, see diagram I)  
**Ambient temperature range** -10°C to +180°C  
**Maximum viscosity** 600 cSt (mm<sup>2</sup>/s)  
**Pilot fluid** Air  
**Max. pilot pressure** 10 bar  
**Min. pilot pressure** See below



NC function



NO function



## MATERIALS IN CONTACT WITH FLUID

(\*) Ensure that the compatibility of the fluids in contact with the materials is verified

**Valve body and plug** Stainless steel  
**Stuffing box housing** Stainless steel  
**Stem, disc** Stainless steel  
**Stuffing box packing** PTFE chevrons  
**Disc seal** PEEK  
**Valve body seal** PTFE

## OTHER MATERIALS

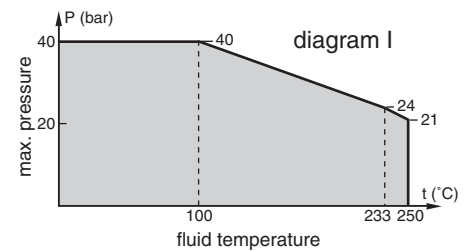
**Operator** Aluminium  
**Optical position indicator** Aluminium

## SPECIFICATIONS

| pipe size                   | DN | flow coefficient Kv |         | maximum allowable pressure (bar) | pilot pressure (bar) |      | operator diameter (mm) | catalogue number     |          |
|-----------------------------|----|---------------------|---------|----------------------------------|----------------------|------|------------------------|----------------------|----------|
|                             |    | (m <sup>3</sup> /h) | (l/min) |                                  | min.                 | max. |                        | pilot connection 1/8 |          |
|                             |    |                     |         |                                  |                      |      |                        | G                    | NPT      |
| <b>NC - Normally closed</b> |    |                     |         |                                  |                      |      |                        |                      |          |
| pad mounting                | 10 | 2,4                 | 40      | 40                               | *                    | 10   | 80                     | R298B608             | R298B628 |
|                             | 20 | 7,44                | 124     | 40                               | *                    | 10   | 100                    | R298B609             | R298B629 |
|                             | 32 | 16,08               | 268     | 40                               | *                    | 10   | 100                    | R298B644             | R298B664 |
| <b>NO - Normally open</b>   |    |                     |         |                                  |                      |      |                        |                      |          |
| pad mounting                | 10 | 1,98                | 33      | 40                               | *                    | 10   | 80                     | R298B604             | R298B624 |
|                             | 20 | 6,72                | 112     | 40                               | *                    | 10   | 100                    | R298B643             | R298B663 |
|                             | 32 | 16,08               | 268     | 40                               | *                    | 10   | 100                    | R298B645             | R298B665 |

\* Minimum pilot pressure varies with differential pressure. See piloting chart above.

<sup>(1)</sup> Allowable max. back pressure 20 bar, see page: 20 ("INSTALLATION").



00106GB-2017/R01 Availability, design and specifications are subject to change without notice. All rights reserved.

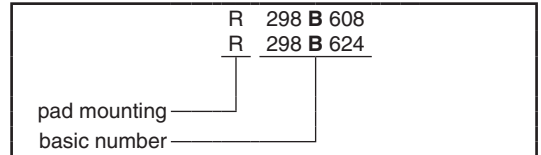
### INSTALLATION

- The valves can be mounted in any position without affecting operation
- In normal use: fluid entry under the disc (for fluid entry above the disc, contact us)
- Mounting on single stainless steel subbase, max. temperature 215°C, (with PTFE seals and 2 mounting screws):  
 G 1/2 (for DN 10), catalogue number **35300192**; G 1 (for DN 20), catalogue number **35300193**;  
 G 1 1/4 (for DN 32), catalogue number **35300194**; G 1 1/2 (for DN 32), catalogue number **35300196**
- Pipe connections (G\*) have standard combination thread according to ISO 228/1 and ISO 7/1
- Valves have 2 mounting holes in the body

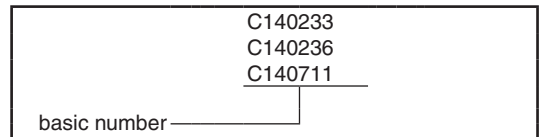
### SPARE PARTS KITS

| catalogue number | spare parts kit no. |                 |                   |
|------------------|---------------------|-----------------|-------------------|
|                  | piston seal         | actuator spring | stem, disc, seals |
| R298B608/B628    | <b>C140233</b>      | <b>C140236</b>  | <b>C140711</b>    |
| R298B609/B629    | <b>C140234</b>      | <b>C140238</b>  | <b>C140712</b>    |
| R298B644/B664    | <b>C140234</b>      | <b>C140240</b>  | <b>C140713</b>    |
| R298B604/B624    | <b>C140233</b>      | <b>C140237</b>  | <b>C140714</b>    |
| R298B643/B663    | <b>C140234</b>      | <b>C140239</b>  | <b>C140715</b>    |
| R298B645/B665    | <b>C140234</b>      | <b>C140241</b>  | <b>C140716</b>    |

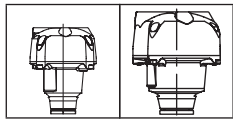
### ORDERING EXAMPLES:



### ORDERING EXAMPLES KITS:



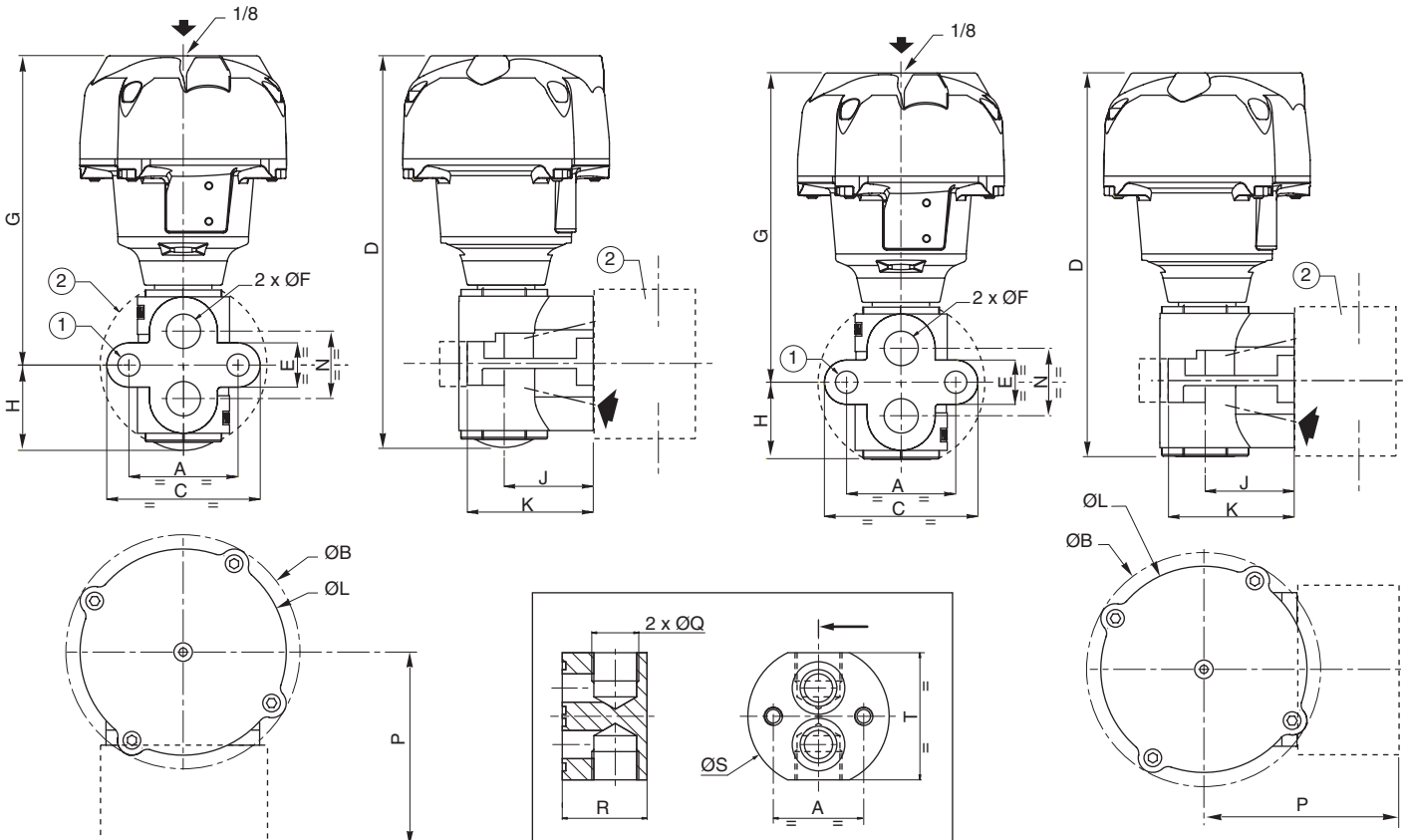
### DIMENSIONS (mm), WEIGHT (kg)



**TYPE 01-02**  
Prefix "R"

**NO, normally open**

**NC, normally closed**



① 2 mounting holes ØM

② Threaded subbases (2 screws and seals supplied)

|    | type | DN | operator diameter | catalogue number | A  | ØB  | C   | D     | E  | ØF | G     | H  | J  | K     | ØL  | ØM | N  | P   | ØQ (G*)     | R  | ØS  | T   | weight |
|----|------|----|-------------------|------------------|----|-----|-----|-------|----|----|-------|----|----|-------|-----|----|----|-----|-------------|----|-----|-----|--------|
| NC | 01   | 10 | 80                | R298B608/B628    | 58 | 110 | 84  | 192,6 | 26 | 12 | 155,6 | 37 | 42 | 68,5  | 95  | 13 | 25 | 87  | 1/2         | 45 | 80  | 70  | 2      |
|    | 02   | 20 | 100               | R298B609/B629    | 64 | 132 | 90  | 221,9 | 26 | 20 | 176,9 | 45 | 53 | 80    | 117 | 13 | 40 | 113 | 1           | 60 | 100 | 90  | 3,5    |
|    | 02   | 32 | 100               | R298B644/B664    | 90 | 132 | 122 | 273   | 32 | 32 | 207   | 66 | 69 | 102,5 | 117 | 17 | 50 |     | 1 1/4-1 1/2 | 60 | 150 | 130 | 7,5    |
| NO | 01   | 10 | 80                | R298B604/B624    | 58 | 110 | 84  | 197,6 | 26 | 12 | 155,6 | 42 | 42 | 68,5  | 95  | 13 | 25 | 87  | 1/2         | 45 | 80  | 70  | 2      |
|    | 02   | 20 | 100               | R298B643/B663    | 64 | 132 | 90  | 226,9 | 26 | 20 | 176,9 | 50 | 53 | 80    | 117 | 13 | 40 | 113 | 1           | 60 | 100 | 90  | 3,5    |
|    | 02   | 32 | 100               | R298B645/B665    | 90 | 132 | 122 | 278   | 32 | 32 | 207   | 71 | 69 | 102,5 | 117 | 17 | 50 |     | 1 1/4-1 1/2 | 60 | 150 | 130 | 7,5    |