

FRL's



FRL ORDERING INFORMATION

FRL FEATURES

Modular design for service & interchangeability

Small package size and light weight construction

Competitively priced

FILTERS

MA13 has polycarbonate bowl with metal guard; threaded type

MA14, MA15, MA17 have polycarbonate bowl with metal guard, bayonet type

STOCK ELEMENTS

5, 25 or 50 micron

Manual, semi-auto or auto drain available

REGULATORS

Diaphragm operated balanced poppet design, relieving type
Superior droop performance

Panel, pipe, or bracket mounting

Metal body, polycarbonate bonnet and knob

Non-rising adjustment knob with push-pull lock ring feature

FILTER REGULATORS

Aluminum and polycarbonate construction

Manual, semi-auto or autodrain available

Polycarbonate bowl with metal guard

Non-rising adjustment knob with push-pull lock ring feature

For panel or bracket mounting

LUBRICATORS

Polycarbonate bowl with metal guard; top plug permits filling without removing bowl or shutting off air

Adjust drip rate by hand, using needle adjusting knob

SIZE	
1/8", 1/4" NPT (11, 21 SCFM)	MA13
1/4", 3/8" NPT (61, 88 SCFM)	MA14
1/4", 3/8", 1/2" NPT (80, 167, 140 SCFM)	MA15
3/4", 1" NPT (175, 228 SCFM)	MA17

DESCRIPTION	
Filter	F
Regulator	R
Lubricator	L
Filter Regulator	FR
Filter Regulator PLUS Lubricator	FRP
Filter, Regulator, Lubricator	FRL

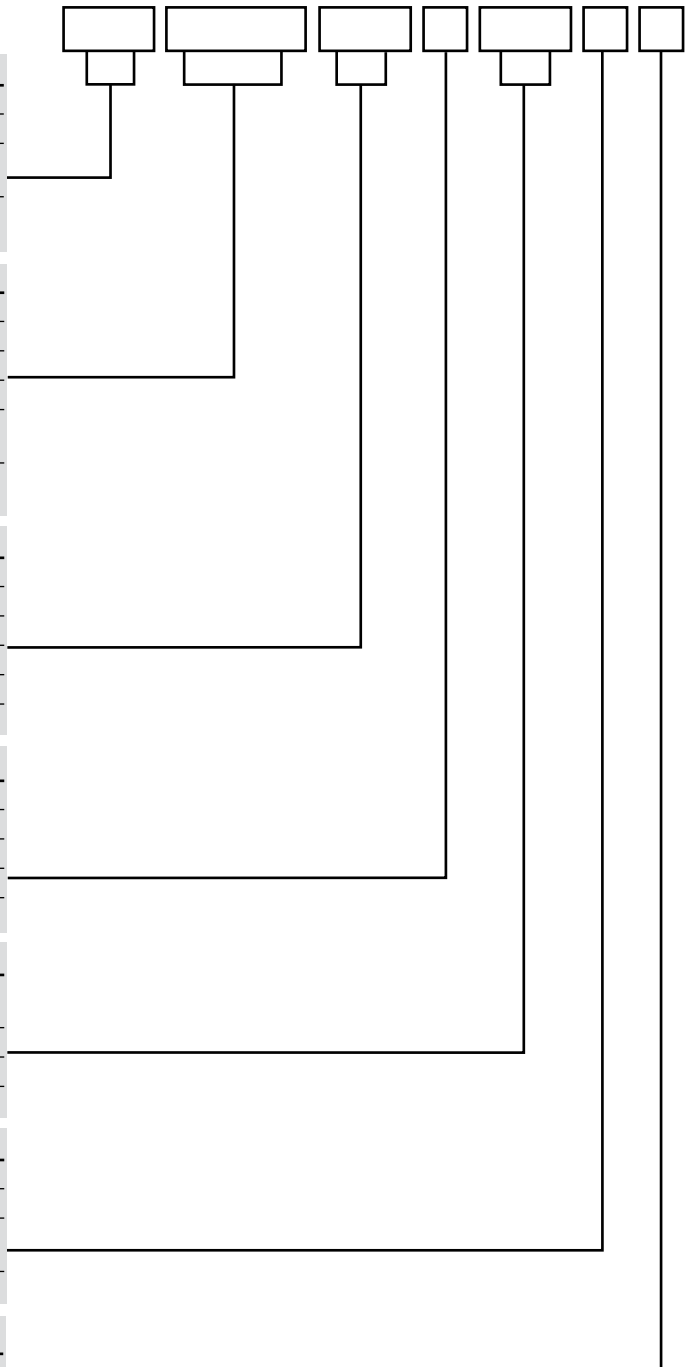
PORT SIZE	
1/8" NPT	1N
1/4" NPT	2N
3/8" NPT	3N
1/2" NPT	4N
3/4" NPT	6N
1" NPT	8N

PRESSURE RANGES	
0-10 psi	A
3-30 psi	L
3-60 psi	M
7-140 psi	H
Omit for Filters & Lubricators	

FILTERS	
50 Micron Filter, Standard	C
25 Micron Filter	B
5 Micron Filter	F
Omit for Regulators & Lubricators	

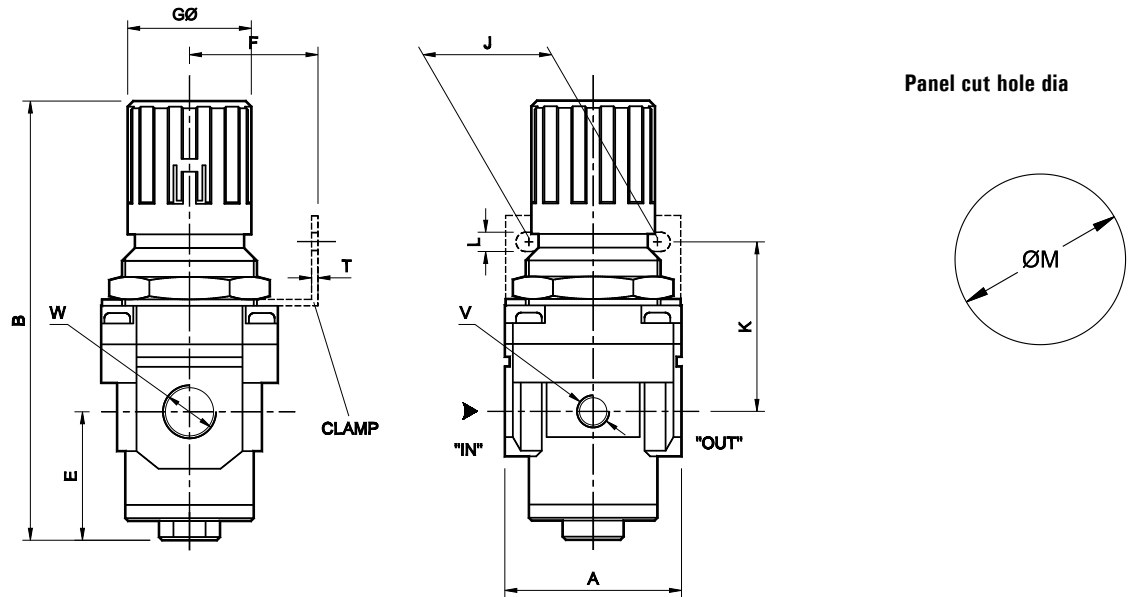
DRAIN	
Manual Drain, Standard	M
Semi-Automatic Drain	S
Auto Drain (NOT AVAILABLE ON MA13)	A
Omit for Regulators & Lubricators	

BOWL MATERIAL OPTIONS	
Metal Bowl, NO Level Indicator	M
Metal Bowl with Level Indicator	L

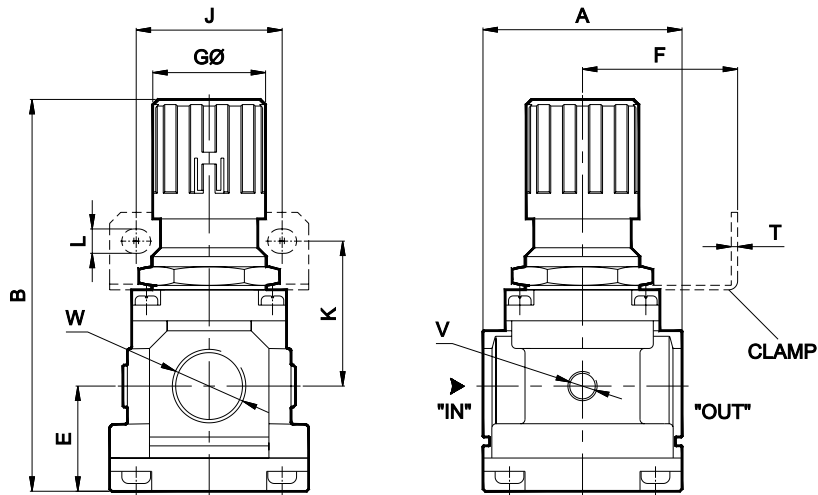


REGULATOR - SERIES MA

MODEL MA13R, MA14R, MA15R



MODEL MA17R

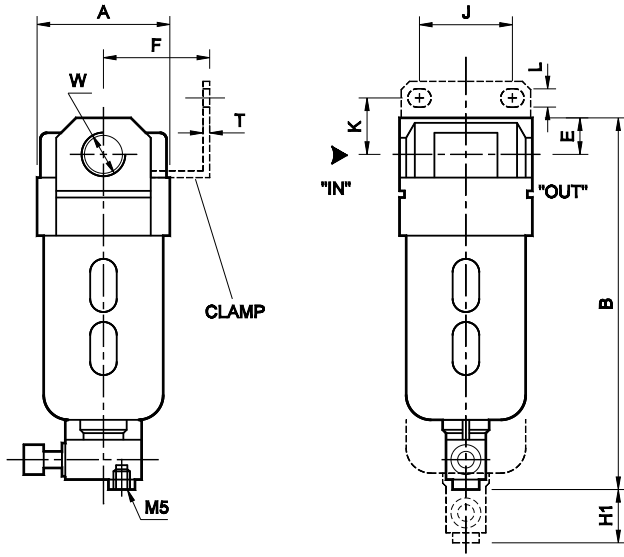


MODEL	W	V		A	B	E	F	GØ	J	K	L	T	ØM
MA13	NPT 1/8 (G1/8) NPT 1/4 (G1/4)	NPT 1/8 (G1/8)	Inch (mm)	SQ 1.575 (40)	3.189 (81)	0.512 (13)	1.181 (30)	1.102 (28)	1.102 (28)	1.771 (45)	0.216 (5.5)	0.079 (2)	1.22 (31)
MA14	NPT 1/4 (G1/4) NPT 3/8 (G3/8)	NPT 1/8 (G1/8)	Inch (mm)	SQ 2.165 (55)	5.315 (135)	1.575 (40)	1.574 (40)	1.574 (40)	1.574 (40)	2.087 (53)	0.256 (6.5)	0.079 (2)	1.693 (43)
MA15	NPT 1/4 (G1/4) NPT 3/8 (G3/8) NPT 1/2 (G1/2)	NPT 1/8 (G1/8)	Inch (mm)	SQ 2.756 (70)	6.496 (165)	1.575 (40)	1.968 (50)	2.008 (51)	2.165 (55)	2.441 (62)	0.335 (8.5)	0.079 (2)	2.087 (53)
MA17	NPT 3/4 (G3/4)	NPT 1/4 (G1/4)	Inch (mm)	SQ 3.543 (90)	6.969 (177)	1.87 (47.5)	2.756 (70)	2.008 (51)	2.598 (66)	2.560 (65)	0.433 (11)	0.197 (5)	2.087 (53)
MA17	NPT 1 (G1)	NPT 1/4 (G1/4)	Inch (mm)	SQ 3.543 (90)	6.969 (177)	1.87 (47.5)	2.756 (70)	2.008 (51)	2.598 (66)	2.560 (65)	0.433 (11)	0.197 (5)	2.087 (53)

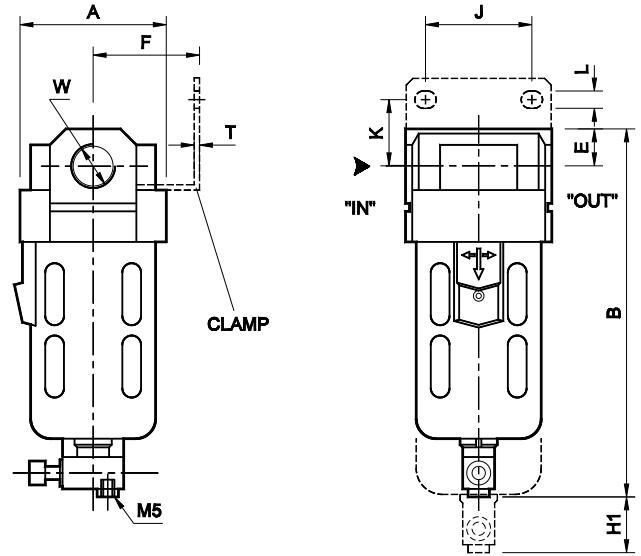
For Details of Clamp see optional accessories

FRL's FILTER - SERIES MA

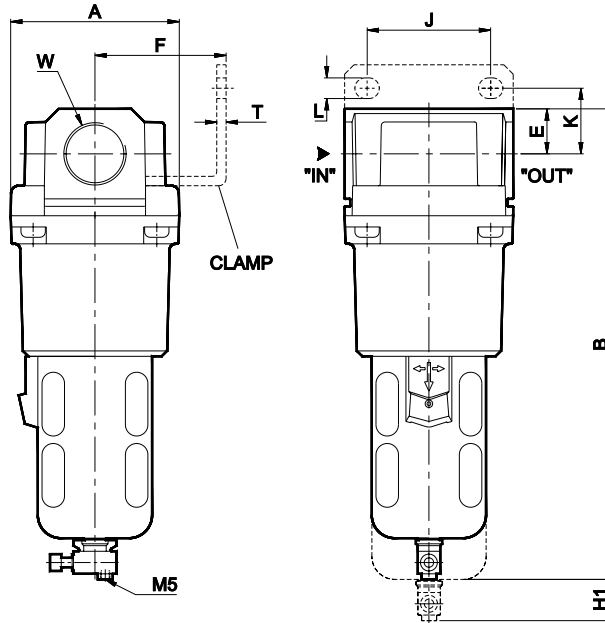
MODEL MA13F



MODEL MA14F, MA15F



MODEL MA17F



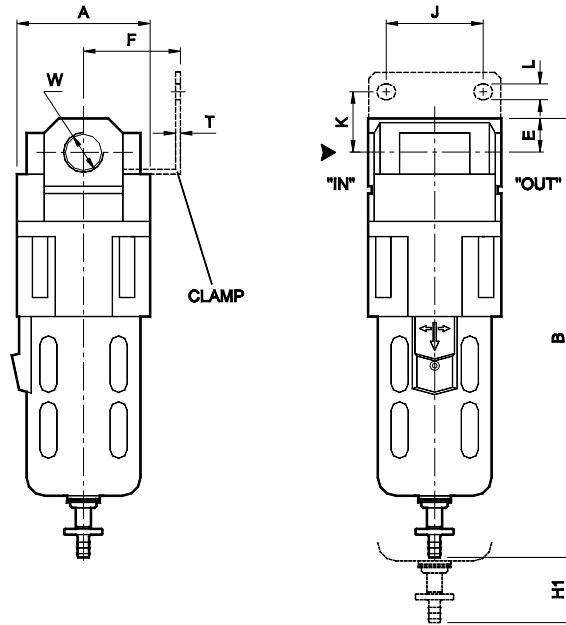
MODEL	W		A	B	E	K	F	J	L	T	H1
MA13	NPT 1/8 (G1/8) NPT 1/4 (G1/4)	Inch (mm)	SQ 1.575 (40)	4.449 (113)	0.43 (11)	0.59 (15)	1.181 (30)	1.102 (28)	0.216 (5.5)	0.079 (2)	1.968 (50)
MA14	NPT 1/4 (G1/4) NPT 3/8 (G3/8)	Inch (mm)	SQ 2.165 (55)	5.512 (140)	0.55 (14)	0.98 (25)	1.575 (40)	1.575 (40)	0.256 (6.5)	0.079 (2)	2.165 (55)
MA15	NPT 1/4 (G1/4) NPT 3/8 (G3/8) NPT 1/2 (G1/2)	Inch (mm)	SQ 2.756 (70)	6.772 (172)	0.71 (18)	0.98 (25)	1.968 (50)	2.165 (55)	0.335 (8.5)	0.079 (2)	3.15 (80)
MA17	NPT 3/4 (G3/4)	Inch (mm)	SQ 3.543 (90)	10.236 (260)	0.95 (24)	1.38 (35)	2.756 (70)	2.598 (66)	0.433 (11)	0.196 (5)	3.15 (80)
MA17	NPT 1 (G1)	Inch (mm)	SQ 3.543 (90)	10.236 (260)	0.95 (24)	1.38 (35)	2.756 (70)	2.598 (66)	0.433 (11)	0.196 (5)	3.15 (80)

For Details of Clamp see optional accessories

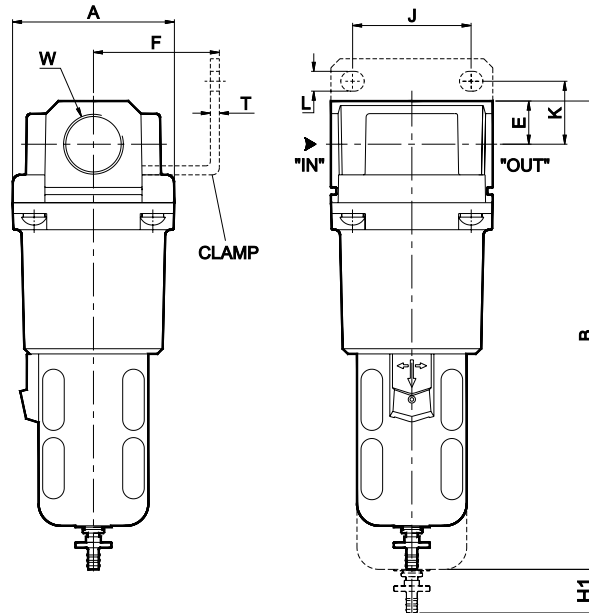


FILTER WITH INTERNAL AUTODRAIN - SERIES MA

MODEL MA14FXXXA, MA15FXXXA



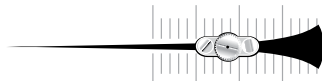
MODEL MA17FXXXA



MODEL	W		A	B	E	K	F	J	L	T	H1
MA14	NPT 1/4 (G1/4) NPT 3/8 (G3/8)	Inch (mm)	SQ 2.165 (55)	7.598 (193)	0.55 (14)	0.98 (25)	1.575 (40)	1.575 (40)	0.256 (6.5)	0.079 (2)	2.165 (55)
MA15	NPT 1/4 (G1/4) NPT 3/8 (G3/8) NPT 1/2 (G1/2)	Inch (mm)	SQ 2.756 (70)	9.055 (230)	0.71 (18)	0.98 (25)	1.968 (50)	2.165 (55)	0.335 (8.5)	0.079 (2)	3.15 (80)
MA17	NPT 3/4 (G3/4)	Inch (mm)	SQ 3.543 (90)	10.236 (260)	0.95 (24)	1.38 (35)	2.756 (70)	2.598 (66)	0.433 (11)	0.196 (5)	3.15 (80)
MA17	NPT 1 (G1)	Inch (mm)	SQ 3.543 (90)	10.236 (260)	0.95 (24)	1.38 (35)	2.756 (70)	2.598 (66)	0.433 (11)	0.196 (5)	3.15 (80)

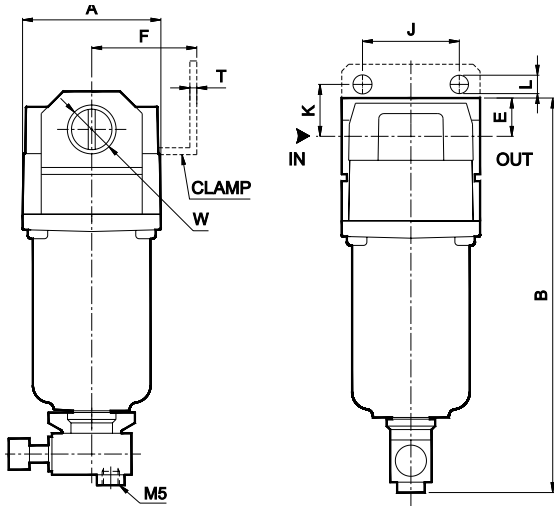
For Details of Clamp see optional accessories



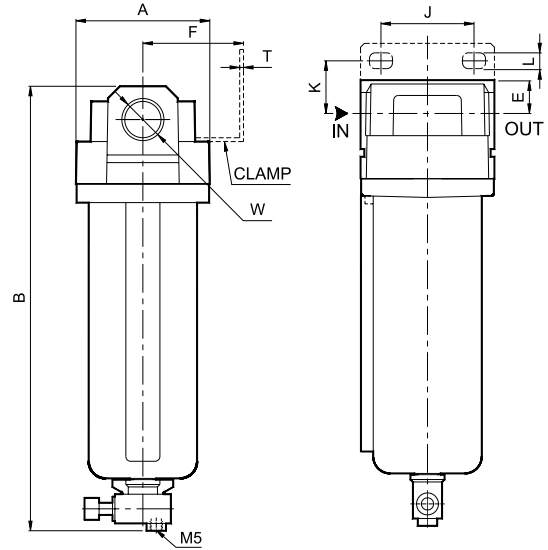


FILTER WITH METAL BOWL SERIES MA

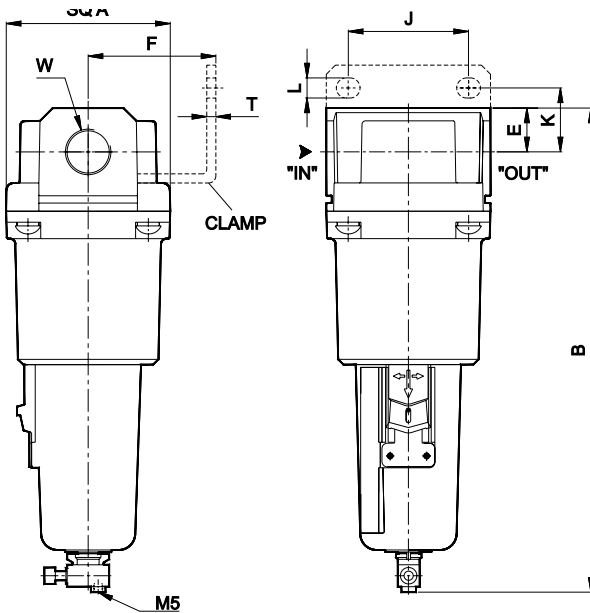
MODEL MA13FXXXXM



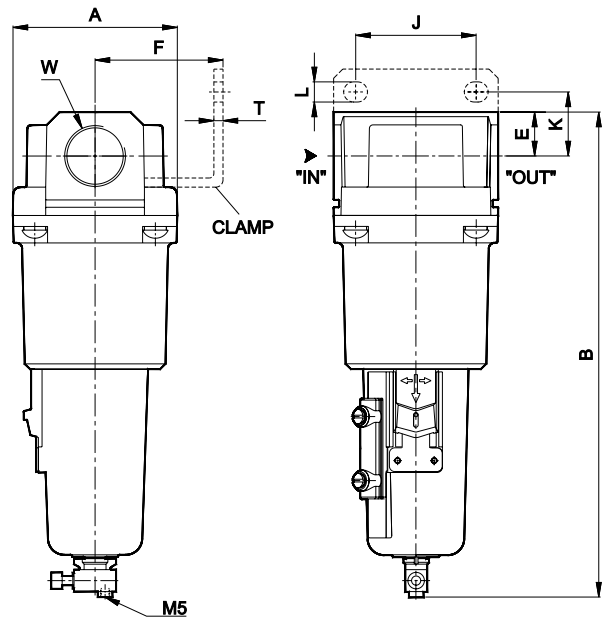
MODEL MA14FXXXXM, MA15FXXXXM



MODEL MA17FXXXXM



MODEL MA17FXXXXL



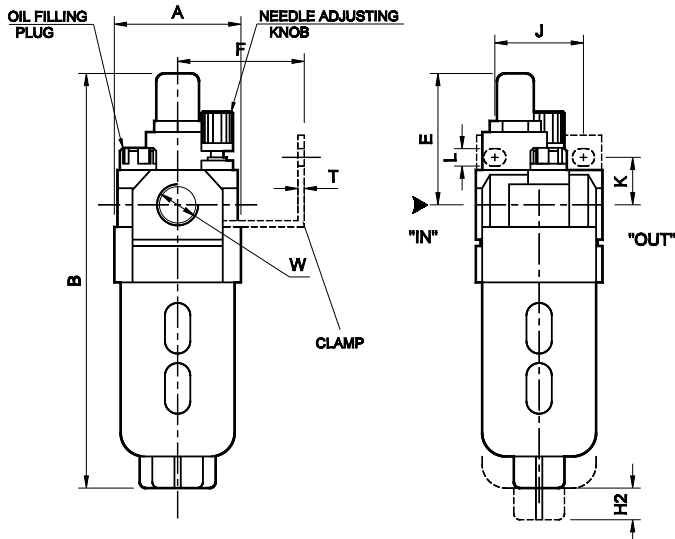
MODEL	W		A	B	E	K	F	J	L	T
MA13	NPT 1/8 (G1/8) NPT 1/4 (G1/4)	Inch (mm)	SQ 1.575 (40)	4.528 (115)	0.43 (11)	0.59 (15)	1.181 (30)	1.102 (28)	0.216 (5.5)	0.079 (2)
MA14	NPT 1/4 (G1/4) NPT 3/8 (G3/8)	Inch (mm)	SQ 2.165 (55)	7.402 (188)	0.55 (14)	0.98 (25)	1.574 (40)	1.574 (40)	0.256 (6.5)	0.079 (2)
MA15	NPT 1/4 (G1/4) NPT 3/8 (G3/8) NPT 1/2 (G1/2)	Inch (mm)	SQ 2.756 (70)	8.819 (224)	0.71 (18)	0.98 (25)	1.968 (50)	2.165 (55)	0.335 (8.5)	0.079 (2)
MA17	NPT 3/4 (G3/4)	Inch (mm)	SQ 3.543 (90)	10.433 (265)	0.95 (24)	1.38 (35)	2.756 (70)	2.598 (66)	0.433 (11)	0.196 (5)
MA17	NPT 1 (G1)	Inch (mm)	SQ 3.543 (90)	10.433 (265)	0.95 (24)	1.38 (35)	2.756 (70)	2.598 (66)	0.433 (11)	0.196 (5)

For Details of Clamp see optional accessories

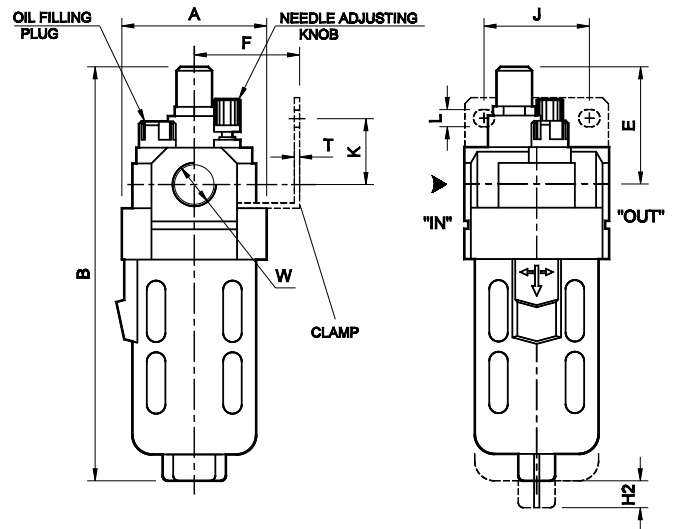


LUBRICATOR SERIES MA

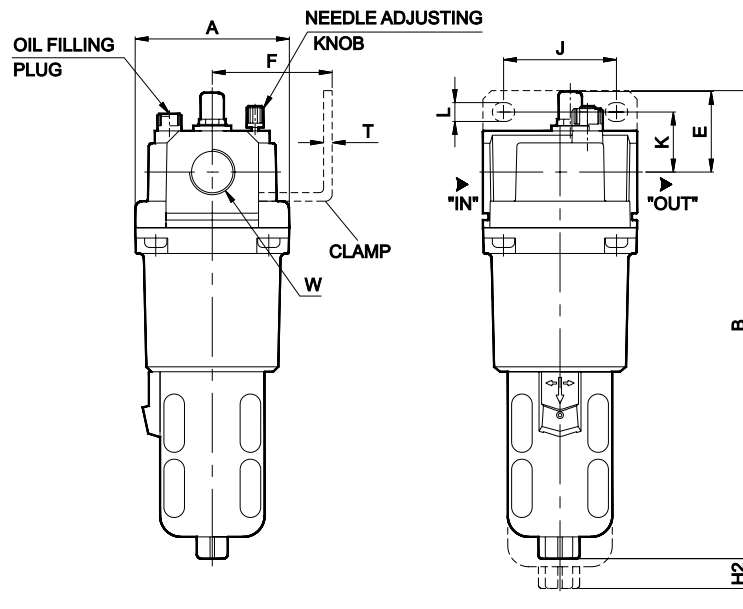
MODEL MA13L



MODEL MA1L, MA15L

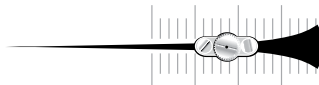


MODEL MA17L



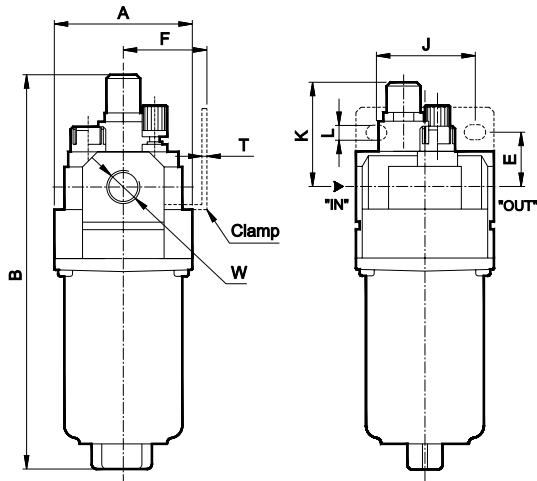
MODEL	W		A	B	E	F	J	K	L	T	H2
MA13	NPT 1/8 (G1/8) NPT 1/4 (G1/4)	Inch (mm)	SQ 1.575 (40)	5.315 (135)	1.653 (42)	1.181 (30)	1.968 (28)	0.59 (15)	0.216 (5.5)	0.079 (2)	1.378 (35)
MA14	NPT 1/4 (G1/4) NPT 3/8 (G3/8)	Inch (mm)	SQ 2.165 (55)	6.181 (17)	1.732 (44)	1.574 (40)	1.574 (40)	0.984 (25)	0.256 (6.5)	0.079 (2)	1.772 (45)
MA15	NPT 1/4 (G1/4) NPT 3/8 (G3/8) NPT 1/2 (G1/2)	Inch (mm)	SQ 2.756 (70)	7.480 (190)	1.811 (46)	1.968 (50)	2.165 (55)	0.984 (25)	0.335 (8.5)	0.079 (2)	1.772 (45)
MA17	NPT 3/4 (G3/4)	Inch (mm)	SQ 3.543 (90)	10.748 (273)	1.850 (47)	2.756 (70)	2.598 (66)	1.378 (35)	0.433 (11)	0.197 (5)	1.772 (45)
MA17	NPT 1 (G1)	Inch (mm)	SQ 3.543 (90)	10.748 (273)	1.850 (47)	2.756 (70)	2.598 (66)	1.378 (35)	0.433 (11)	0.197 (5)	1.772 (45)

For Details of Clamp see optional accessories

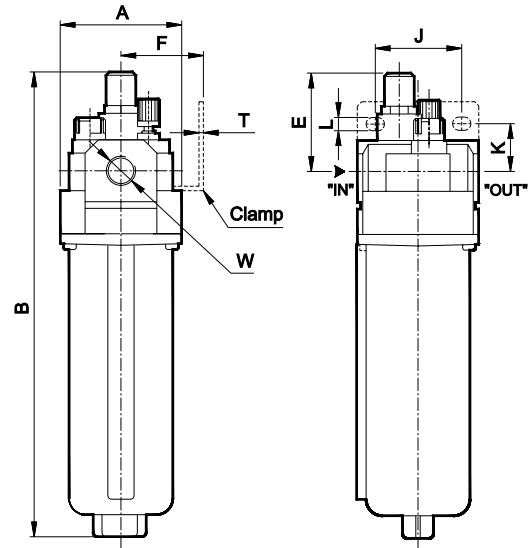


LUBRICATOR WITH METAL BOWL - SERIES MA

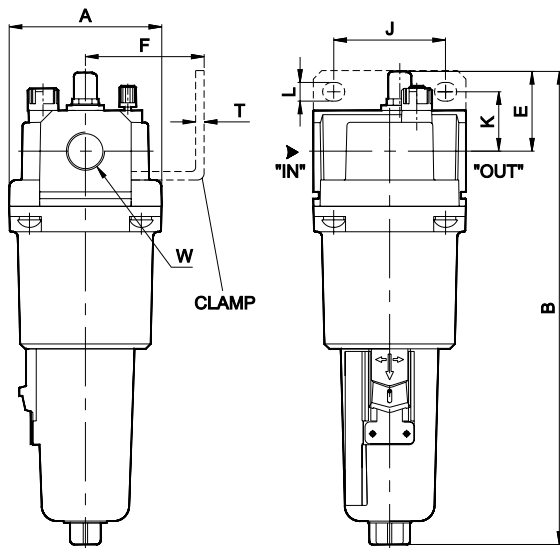
MODEL MA13LXXM



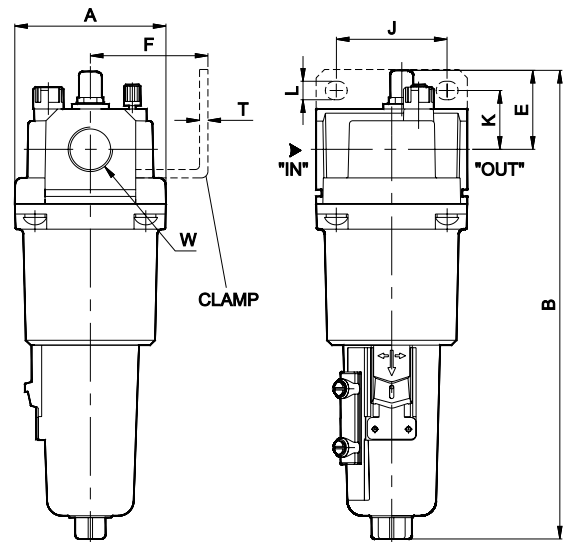
MODEL MA14LXXM, MA15LXXM



MODEL MA17LXXM



MODEL MA17LXXL



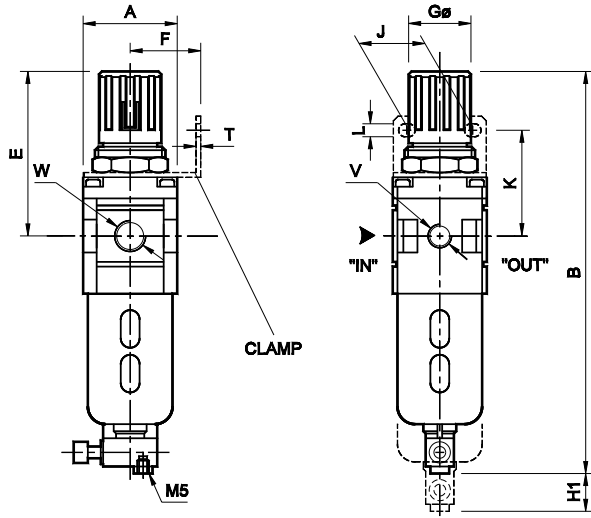
MODEL	W		A	B	E	F	J	K	L	T
MA13	NPT 1/8 (G1/8) NPT 1/4 (G1/4)	Inch (mm)	SQ 1.575 (40)	5.315 (135)	1.653 (42)	1.181 (30)	1.968 (28)	0.59 (15)	0.216 (5.5)	0.079 (2)
MA14	NPT 1/4 (G1/4) NPT 3/8 (G3/8)	Inch (mm)	SQ 2.165 (55)	6.071 (205)	1.732 (44)	1.574 (40)	1.574 (40)	0.984 (25)	0.256 (6.5)	0.079 (2)
MA15	NPT 1/4 (G1/4) NPT 3/8 (G3/8) NPT 1/2 (G1/2)	Inch (mm)	SQ 2.756 (70)	9.449 (240)	1.811 (46)	1.968 (50)	2.165 (55)	0.984 (25)	0.335 (8.5)	0.079 (2)
MA17	NPT 3/4 (G3/4)	Inch (mm)	SQ 3.543 (90)	10.984 (279)	1.850 (47)	2.756 (70)	2.598 (66)	1.378 (35)	0.433 (11)	0.197 (5)
MA17	NPT 1 (G1)	Inch (mm)	SQ 3.543 (90)	10.984 (279)	1.850 (47)	2.756 (70)	2.598 (66)	1.378 (35)	0.433 (11)	0.197 (5)

For Details of Clamp see optional accessories

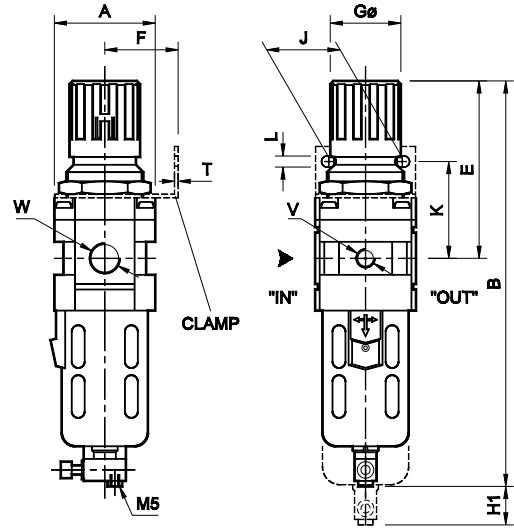


FILTER REGULATOR COMBINATION - SERIES MA

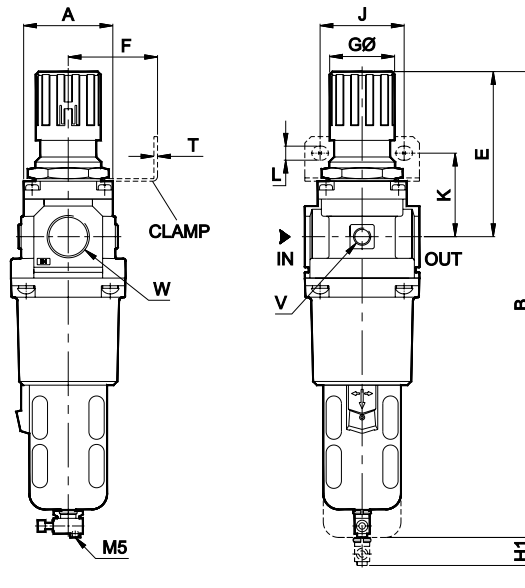
MODEL MA13FR



MODEL MA14FR, MA15FR

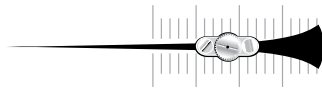


MODEL MA17FR



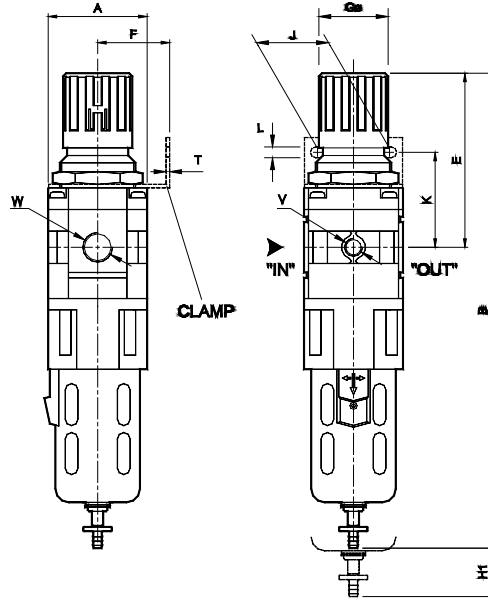
MODEL	W	V		A	B	E	F	K	GØ	J	L	T	H1
MA13	NPT 1/8 (G1/8) NPT 1/4 (G1/4)	NPT 1/8 (G1/8)	Inch (mm)	SQ 1.575 (40)	6.69 (170)	2.68 (68)	1.181 (30)	1.771 (45)	1.102 (28)	1.102 (28)	0.216 (5.5)	0.079 (2)	1.968 (50)
MA14	NPT 1/4 (G1/4) NPT 3/8 (G3/8)	NPT 1/8 (G1/8)	Inch (mm)	SQ 2.165 (55)	8.66 (220)	3.74 (95)	1.574 (40)	2.087 (53)	1.574 (40)	1.574 (40)	0.256 (6.5)	0.079 (2)	2.165 (55)
MA15	NPT 1/4 (G1/4) NPT 3/8 (G3/8) NPT 1/2 (G1/2)	NPT 1/8 (G1/8)	Inch (mm)	SQ 2.756 (70)	11.02 (280)	4.92 (125)	1.968 (50)	2.441 (62)	2.008 (51)	2.165 (55)	0.335 (8.5)	0.079 (2)	3.15 (80)
MA17	NPT 3/4 (G3/4)	NPT 1/4 (G1/4)	Inch (mm)	SQ 3.543 (90)	14.57 (370)	5.12 (130)	2.756 (70)	2.560 (65)	2.008 (51)	2.598 (66)	0.433 (11)	0.197 (5)	3.15 (80)
MA17	NPT 1 (G1)	NPT 1/4 (G1/4)	Inch (mm)	SQ 3.543 (90)	14.57 (370)	5.12 (130)	2.756 (70)	2.560 (65)	2.008 (51)	2.598 (66)	0.433 (11)	0.197 (5)	3.15 (80)

For Details of Clamp see optional accessories

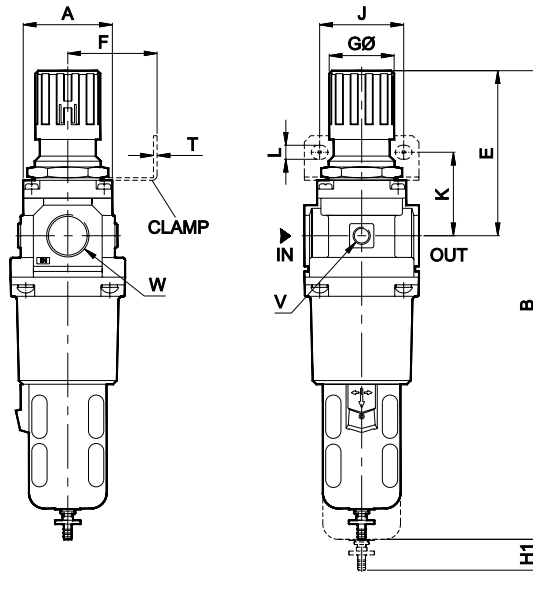


FILTER REGULATOR COMBINATION WITH INTERNAL AUTODRAIN - SERIES MA

MODEL MA14FRXXXXA, MA15FRXXXXA



MODEL MA17FRXXXXA



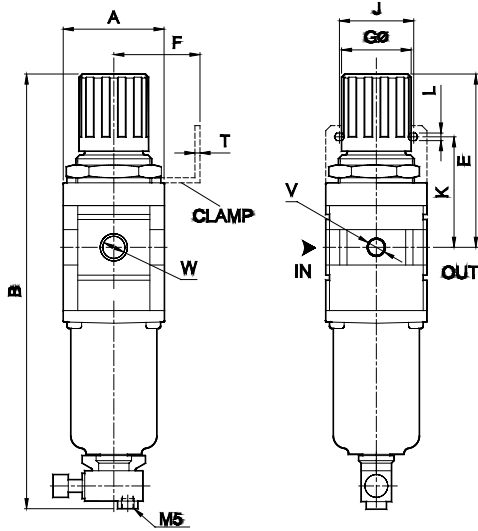
MODEL	W			A	B	E	F	K	GØ	J	L	T	H1
MA14	NPT 1/4 (G1/4) NPT 3/8 (G3/8)	NPT 1/8 (G1/8)	Inch (mm)	SQ 2.165 (55)	10.71 (272)	3.74 (95)	1.575 (40)	2.087 (53)	1.575 (40)	1.575 (40)	0.256 (6.5)	0.079 (2)	2.36 (60)
MA15	NPT 1/4 (G1/4) NPT 3/8 (G3/8) NPT 1/2 (G1/2)	NPT 1/8 (G1/8)	Inch (mm)	SQ 2.756 (70)	13.19 (335)	4.92 (125)	1.968 (50)	2.441 (62)	2.008 (51)	2.165 (55)	0.335 (8.5)	0.079 (2)	3.35 (85)
MA17	NPT 3/4 (G3/4)	NPT 1/4 (G1/4)	Inch (mm)	SQ 3.543 (90)	14.49 (368)	5.12 (130)	2.756 (70)	2.559 (65)	2.008 (51)	2.598 (66)	0.433 (11)	0.197 (5)	3.35 (85)
MA17	NPT 1 (G1)	NPT 1/4 (G1/4)	Inch (mm)	SQ 3.543 (90)	14.49 (368)	5.12 (130)	2.756 (70)	2.599 (65)	2.008 (51)	2.598 (66)	0.433 (11)	0.197 (5)	3.35 (85)

For Details of Clamp see optional accessories

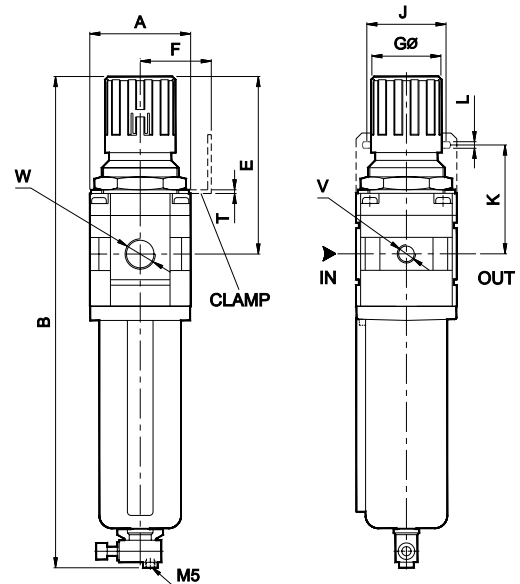


FILTER REGULATOR COMBINATION WITH METAL BOWL- SERIES MA

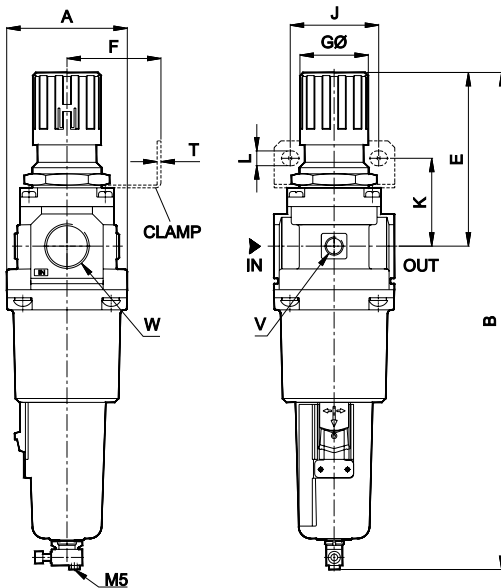
MODEL MA13FRXXXXXM



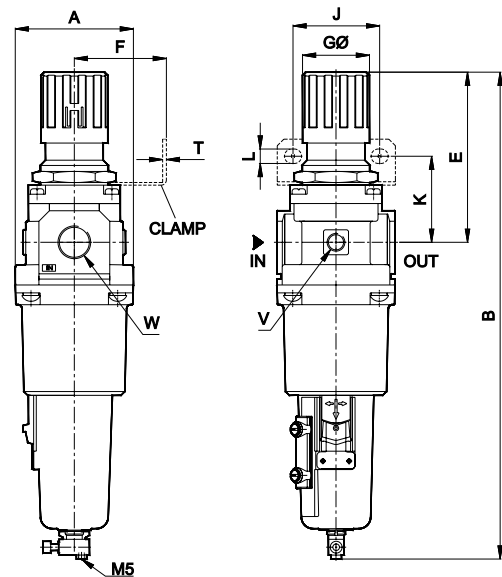
MODEL MA14FRXXXXXM, MA15FRXXXXXM



MODEL MA17FRXXXXXM

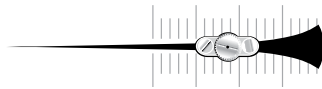


MODEL MA17FRXXXXXL



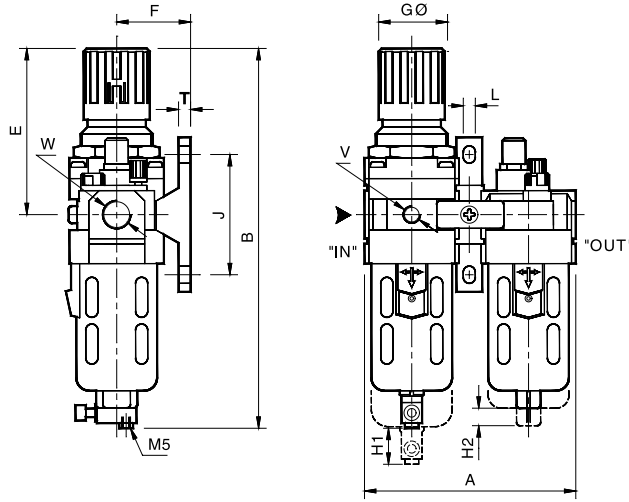
MODEL	W	V		A	B	E	F	K	GØ	J	L	T
MA13	NPT 1/8 (G1/8) NPT 1/4 (G1/4)	NPT 1/8 (G1/8)	Inch (mm)	SQ 1.575 (40)	6.769 (172)	2.677 (68)	1.181 (30)	1.772 (45)	1.102 (28)	1.102 (28)	0.216 (5.5)	0.079 (2)
MA14	NPT 1/4 (G1/4) NPT 3/8 (G3/8)	NPT 1/8 (G1/8)	Inch (mm)	SQ 2.165 (55)	10.43 (265)	3.740 (95)	1.575 (40)	2.087 (53)	1.575 (40)	1.574 (40)	0.256 (6.5)	0.079 (2)
MA15	NPT 1/4 (G1/4) NPT 3/8 (G3/8) NPT 1/2 (G1/2)	NPT 1/8 (G1/8)	Inch (mm)	SQ 2.756 (70)	12.99 (330)	4.921 (125)	1.968 (50)	2.441 (62)	2.008 (51)	2.165 (55)	0.335 (8.5)	0.079 (2)
MA17	NPT 3/4 (G3/4)	NPT 1/4 (G1/4)	Inch (mm)	SQ 3.543 (90)	14.61 (371)	5.118 (130)	2.756 (70)	2.559 (65)	2.008 (51)	2.598 (66)	0.433 (11)	0.197 (5)
MA17	NPT 1 (G1)	NPT 1/4 (G1/4)	Inch (mm)	SQ 3.543 (90)	14.61 (371)	5.118 (130)	2.756 (70)	2.559 (65)	2.008 (51)	2.598 (66)	0.433 (11)	0.197 (5)

For Details of Clamp see optional accessories

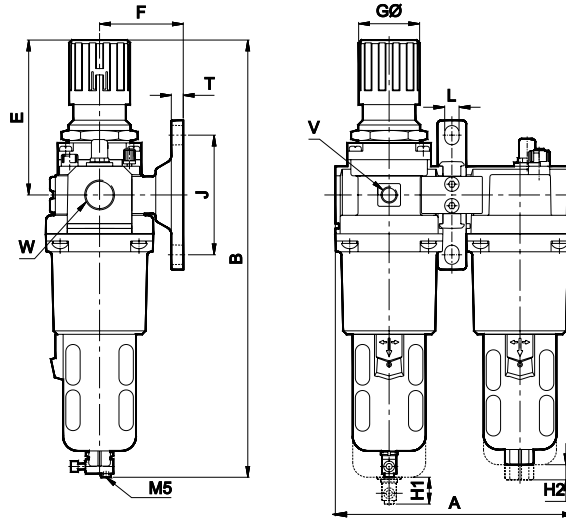


FRP MODULAR - SERIES MA

MODEL MA13FRP THU MA15FRP
- WALL MOUNTING BRACKET



MODEL MA17FRP- WALL MOUNTING BRACKET



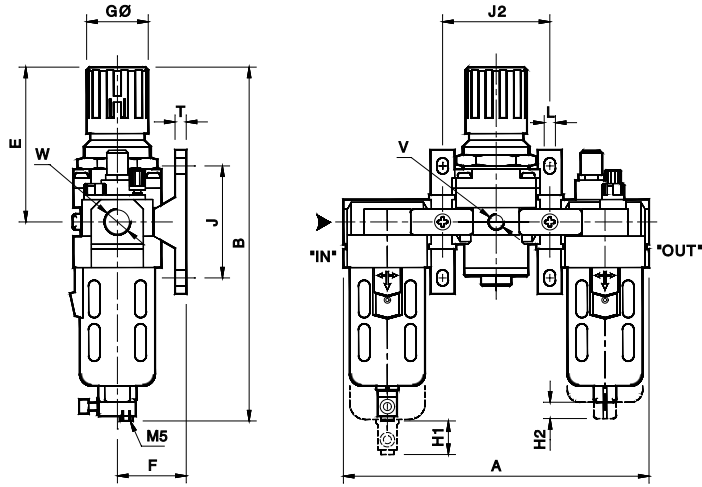
WALL MOUNT

MODEL	W	V	Inch (mm)	A	B	E	F	GØ	J	L	T	H1	H2
MA13	NPT 1/8 (G1/8) NPT 1/4 (G1/4)	NPT 1/8 (G1/8)	Inch (mm)	3.62 (92)	6.69 (170)	2.677 (68)	1.378 (35)	1.102 (28)	1.968 (50)	0.275 (7)	0.275 (7)	1.968 (50)	1.378 (35)
MA14	NPT 1/4 (G1/4) NPT 3/8 (G3/8)	NPT 1/8 (G1/8)	Inch (mm)	4.88 (124)	8.66 (220)	3.740 (95)	1.772 (45)	1.574 (40)	2.756 (70)	0.275 (7)	0.275 (7)	2.165 (55)	1.772 (45)
MA15	NPT 1/4 (G1/4) NPT 3/8 (G3/8) NPT 1/2 (G1/2)	NPT 1/8 (G1/8)	Inch (mm)	6.14 (156)	11.02 (280)	4.921 (125)	2.165 (55)	2.008 (51)	3.543 (90)	0.354 (9)	0.354 (9)	3.15 (80)	1.772 (45)
MA17	NPT 3/4 (G3/4)	NPT 1/4 (G1/4)	Inch (mm)	7.87 (200)	14.57 (370)	5.12 (130)	2.756 (70)	2.008 (51)	3.937 (100)	0.472 (12)	0.394 (10)	3.15 (80)	1.772 (45)
MA17	NPT 1 (G1)	NPT 1/4 (G1/4)	Inch (mm)	7.87 (200)	14.57 (370)	5.12 (130)	2.756 (70)	2.008 (51)	3.937 (100)	0.472 (12)	0.394 (10)	3.15 (80)	1.772 (45)

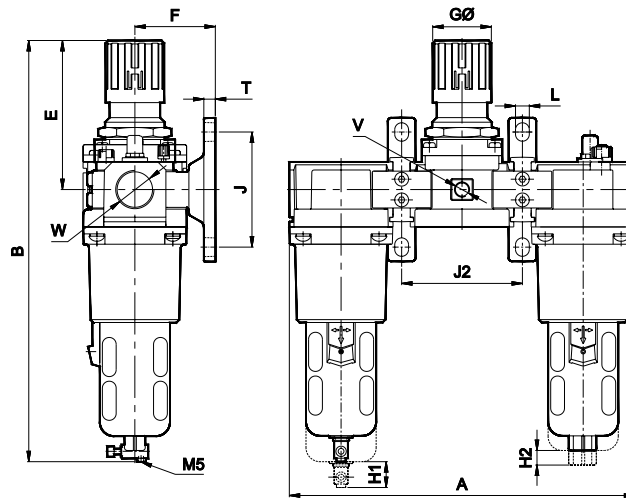


FRL MODULAR - SERIES MA

MODEL MA13FRL THRU MA15FRL- WALL MOUNTING BRACKET

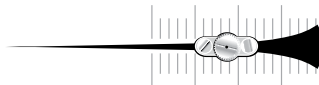


MODEL MA17FRL - WALL MOUNTING BRACKET



WALL MOUNT

MODEL	W	V		A	B	E	F	GØ	J	L	T	H1	H2	J2
MA13	NPT 1/8 (G1/8) NPT 1/4 (G1/4)	NPT 1/8 (G1/8)	Inch (mm)	5.75 (146)	6.69 (170)	2.677 (68)	1.378 (35)	1.102 (28)	1.968 (50)	0.275 (7)	0.275 (7)	1.968 (50)	1.378 (35)	2.047 (52)
MA14	NPT 1/4 (G1/4) NPT 3/8 (G3/8)	NPT 1/8 (G1/8)	Inch (mm)	7.56 (192)	8.66 (220)	3.74 (95)	1.772 (45)	1.575 (40)	2.756 (70)	0.275 (7)	0.275 (7)	2.165 (55)	1.772 (45)	2.716 (69)
MA15	NPT 1/4 (G1/4) NPT 3/8 (G3/8) NPT 1/2 (G1/2)	NPT 1/8 (G1/8)	Inch (mm)	9.49 (241)	11.02 (280)	4.921 (125)	2.165 (55)	2.008 (51)	3.543 (90)	0.354 (9)	0.354 (9)	3.15 (80)	1.772 (45)	3.386 (86)
MA17	NPT 3/4 (G3/4)	NPT 1/4 (G1/4)	Inch (mm)	11.8 (300)	14.41 (366)	5.118 (130)	2.756 (70)	2.008 (51)	3.94 (100)	0.472 (12)	0.394 (10)	3.15 (80)	1.772 (45)	4.134 (105)
MA17	NPT 1 (G1)	NPT 1/4 (G1/4)	Inch (mm)	11.8 (300)	14.41 (366)	5.118 (130)	2.756 (70)	2.008 (51)	3.94 (100)	0.472 (12)	0.394 (10)	3.15 (80)	1.772 (45)	4.134 (105)

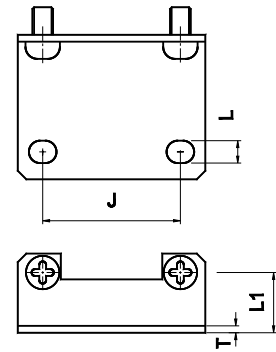


ACCESSORIES - CLAMPS

CLAMP FOR FILTER,
LUBRICATOR



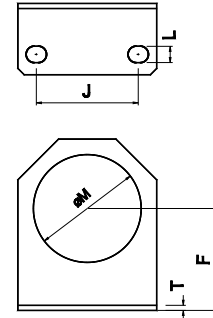
MODEL		J	L	L1	T	ORDERING NO.
MA13	Inch	1.102	0.216	0.551	0.079	MA13FB
	mm	28	5.5	14	2	
MA14	Inch	1.575	0.256	0.69	0.079	MA14FB
	mm	40	6.5	17.5	2	
MA15	Inch	2.165	0.335	0.87	0.079	MA15FB
	mm	55	8.5	22	2	
MA17	Inch	2.60	0.43	1.30	0.20	MA17FB
	mm	66	11	33	5	



CLAMP FOR REGULATOR



MODEL		ØM	F	L	J	T	ORDERING NO.
MA13	Inch	1.2	1.181	0.216	1.102	0.079	MA13RB
	mm	30.5	30	5.5	28	2	
MA14	Inch	1.673	1.575	0.256	1.575	0.079	MA14RB
	mm	42.5	40	6.5	40	2	
MA15	Inch	2.067	1.968	0.335	2.165	0.079	MA15RB
	mm	52.5	50	8.5	55	2	
MA17	Inch	2.067	2.756	0.433	2.598	0.197	MA17RB
	mm	52.5	70	11	66	5	

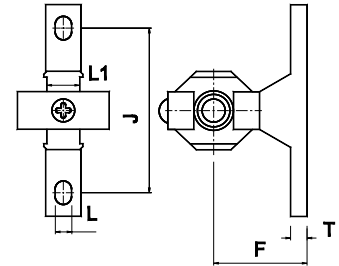


ACCESSORIES - FOR MODULAR CONSTRUCTION

WALL MOUNTING
BRACKET



MODEL		L1	J	L	F	T	ORDERING NO.
MA13	Inch	0.472	1.968	0.275	1.378	0.275	A2W01
	mm	12	50	7	36	7	
MA14	Inch	0.551	2.756	0.275	1.772	0.275	A2W02
	mm	14	70	7	45	7	
MA15	Inch	0.63	3.543	0.354	2.165	0.354	A2W03
	mm	16	90	9	55	9	
MA17	Inch	0.59	3.94	0.472	2.76	0.39	A2W04
	mm	15	100	12	70	10	



How to Order:
Example:

Mention the ordering number required
Wall Mounted Bracket for 3/8 Filer, Regulator, Lubricator Series F14, R14, L14 : Ordering no: A2W02

REPLACEMENT FILTERS		
Description		Part Number
MA13	5 Micron Filter Element	MA13FK05
MA13	25 Micron Filter Element	MA13FK25
MA13	50 Micron Filter Element	MA13FK50
MA14	5 Micron Filter Element	MA14FK05
MA14	25 Micron Filter Element	MA14FK25
MA14	50 Micron Filter Element	MA14FK50
MA15	5 Micron Filter Element	MA15FK05
MA15	25 Micron Filter Element	MA15FK25
MA15	50 Micron Filter Element	MA15FK50
MA17	5 Micron Filter Element	MA17FK05
MA17	25 Micron Filter Element	MA17FK25
MA17	50 Micron Filter Element	MA17FK50

