

HOT WATER THERMOMETER

- ±1% of span throughout entire range
- Aluminum stem and case material
- Bi-metallic element

Thermometer is available with standard 1/2" or 3/4" NPT male separable socket or 1/2" or 3/4" sweatwell connection that allows easy thermometer removal while maintaining a "sealed" system.

Marsh Instruments Hot Water Thermometers are designed for accurate temperature readings in hot water lines, boilers and hydronic systems.

DESCRIPTION	P/N
1/2" NPT	L8004-1
3/4" NPT	L8004-2
1/2" sweatwell	L8004-3
3/4" sweatwell	L8004-4



SPECIFICATIONS

ACCURACY
±1% of span throughout entire range

CASE SIZE
2 1/2" Diameter

CASE MATERIAL
Aluminum

STEM
Aluminum

MOVEMENT
Bi-metallic element

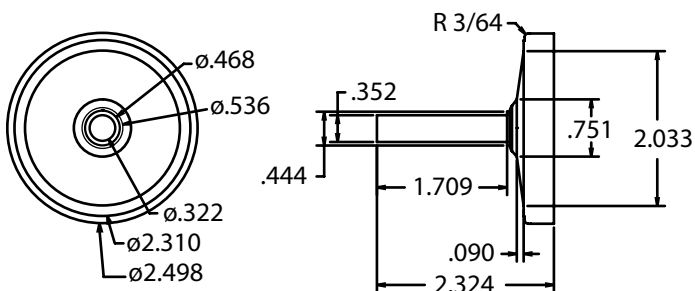
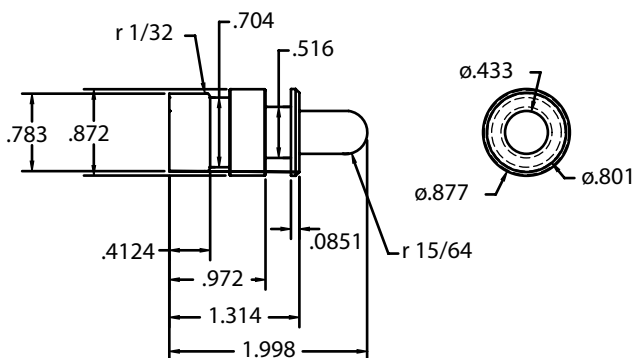
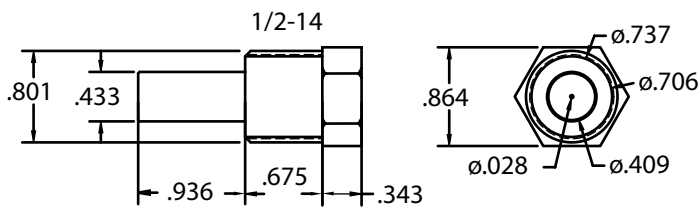
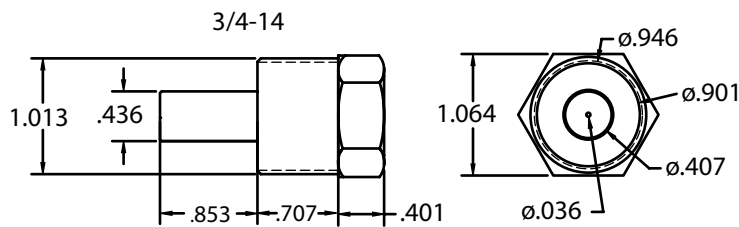
CONNECTION
1/2" or 3/4" NPT Center Back,
1/2" or 3/4" Sweatwell Center Back

RANGE
30-250 °F & 0-120 °C

DIAL COLOR
White with Black & Red Markings

POINTER
Aluminum, Black Painted

RECALIBRATOR
Standard



ALL DIMENSIONS ARE NOMINAL