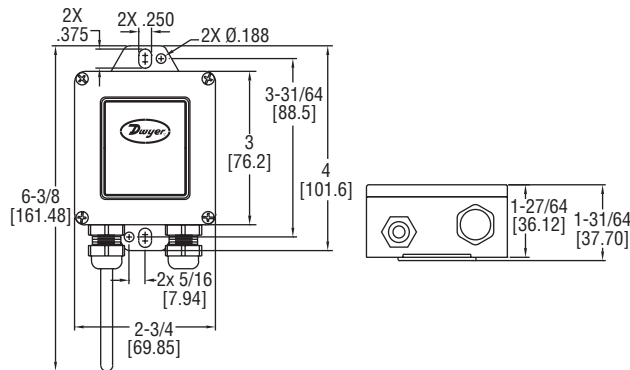


# OUTSIDE AIR TEMPERATURE SENSORS

## NEMA 4X, Removable Terminal Block



Scan here  
to watch  
product video



The **SERIES O-4** Outside Air Temperature Sensors are great for monitoring ambient air temperatures in outdoor applications. The temperature sensors are mounted in a NEMA 4X enclosure with integral mounting tabs.

### FEATURES/BENEFITS

- NEMA 4X weatherproof housing
- Surface or suspension mount

### APPLICATIONS

- Agricultural house ventilation
- HVAC and building automation

### SPECIFICATIONS

**Accuracy:** Thermistor temperature sensor:  $\pm 0.22^{\circ}\text{C}$  @  $25^{\circ}\text{C}$  ( $\pm 0.4^{\circ}\text{F}$  @  $77^{\circ}\text{F}$ ); RTD temperature sensor: DIN class B:  $\pm 0.3^{\circ}\text{C}$  @  $0^{\circ}\text{C}$  ( $\pm 0.54^{\circ}\text{F}$  @  $32^{\circ}\text{F}$ ).

**Operating Temperature:** -40 to  $250^{\circ}\text{F}$ .

**Probe Diameter:** 0.235" (5.97 mm).

**Probe Length:** 3.5".

**Probe Material:** 304 SS.

**Mounting:** Suspension or surface.

**Enclosure Rating:** NEMA 4X (IP66).

**Weight:** 3 oz (85 g).

### MODEL CHART

Model	Sensor Type	Model	Sensor Type
O-4A	10k $\Omega$ type III thermistor	O-4D	Pt100 $\Omega$ RTD
O-4B	10k $\Omega$ type II thermistor	O-4E	Pt1000 $\Omega$ RTD
O-4C	3k $\Omega$ thermistor	O-4F	20k $\Omega$ thermistor