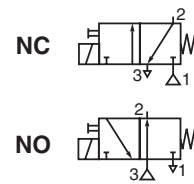




MICRO SOLENOID VALVES

direct operated, **Large Flow**
pad-mounting body
for subbase M5



3/2
Series
188
Type
Micro 10

GENERAL

Fluid	Air or inert gas, non-lubricated, filtered at 25 µm ISO 8573-1: 2010 [6:4:4]
Operating pressure	10 bar max.
Ambient temperature	+5°C to +50°C
Flow (Qv at 6 bar)	See «SPECIFICATIONS»
Switching time	10 ms

CONSTRUCTION

Body	PBT (polybutylene terephthalate)
Internal parts	Stainless steel synthetic material
Seals	FPM (fluoroelastomer)



ELECTRICAL CHARACTERISTICS

voltage ± 10 % (other voltages on request)	power ratings ¹⁾		insulation class	degree of protection	electrical connection
	inrush	holding			
24V =	3,2 W	1,3 W	F	IP40	X1, X2, X3, X4, X5 *see Electrical Connection Type
12 V =					

The solenoid valves are designed for continuous operation within the maximum ambient temperature limits.

¹⁾ The valves are provided with power save electronics and LED which switch to holding power after 100 msec.

*Electrical Connection Type

X1 = type 1, horizontal, distance between contacts 5,08 mm

X2 = type 2, vertical, distance between contacts 5,08 mm

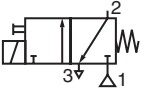
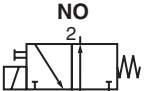
X3 = type 3, horizontal, distance between contacts 2,54 mm

X4 = type 4, vertical, distance between contacts 2,54 mm

X5 = type 5, two leads 0,5 m long, 0,25 mm²

Type 1,2,3,4,5 with LED, protection and power save electronics.

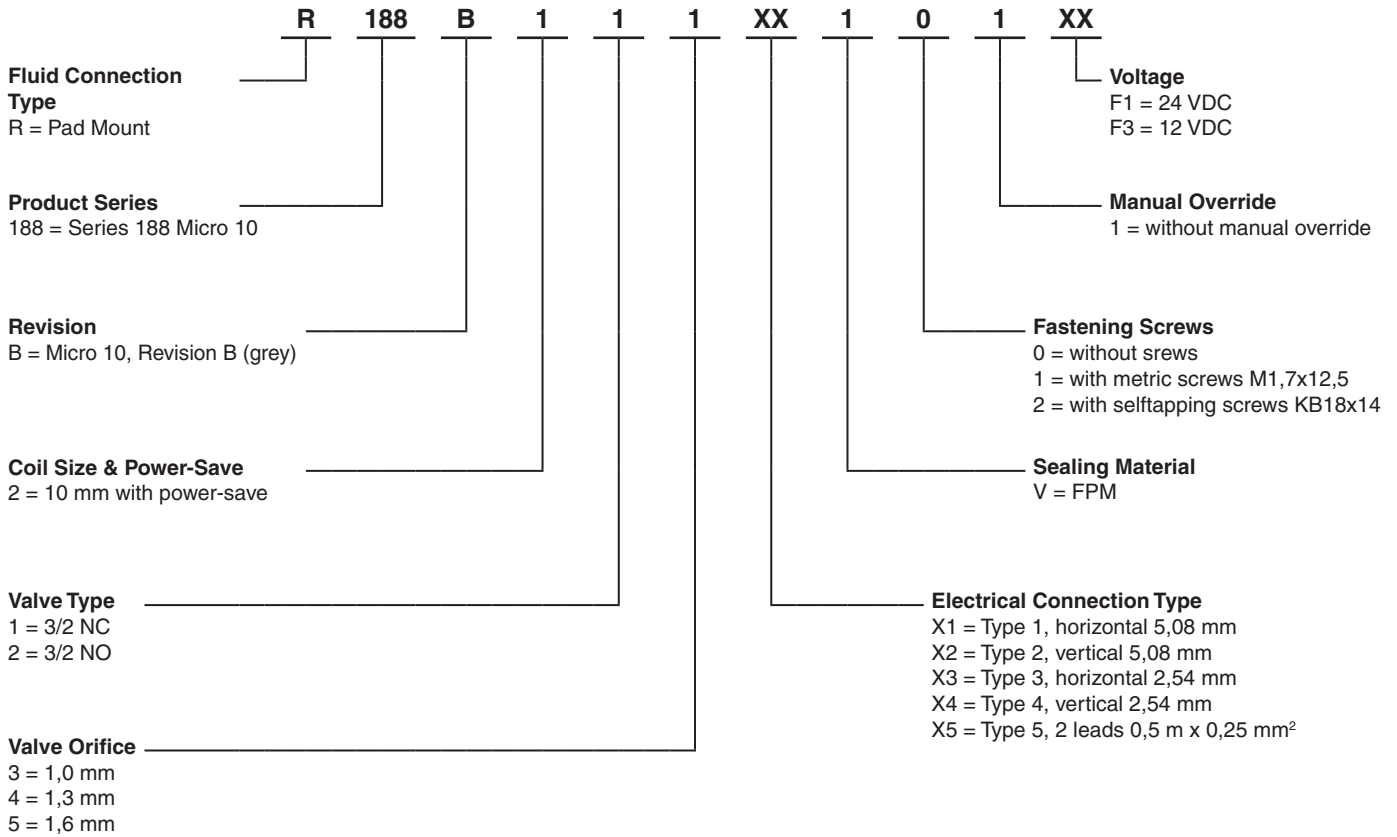
SPECIFICATIONS

symbol	orifice size (mm)		flow		operating pressure (bar)		consumption (W)	catalogue number
	1 → 2	2 → 3	at 6 bar l/min (ANR)	coefficient Kv m ³ /h	min.	max.		
	1,0	1,0	13	0,012	0	10	1,3	R188B213XXV11XX
	1,3	1,3	29	0,027	0	6	1,3	R188B214XXV11XX
	1,6	1,6	42	0,039	0	3,5	1,3	R188B215XXV11XX
	1,0	1,0	13	0,012	0	8	1,3	R188B223XXV11XX
	1,3	1,3	29	0,027	0	4	1,3	R188B224XXV11XX
	1,6	1,6	42	0,039	0	1,5	1,3	R188B225XXV11XX


00233GB-2016/R02
Availability, design and specifications are subject to change without notice. All rights reserved.

ORDERING

15-DIGIT PRODUCT CODE



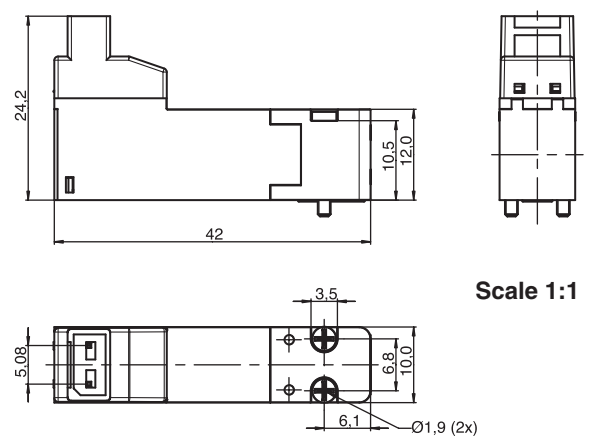
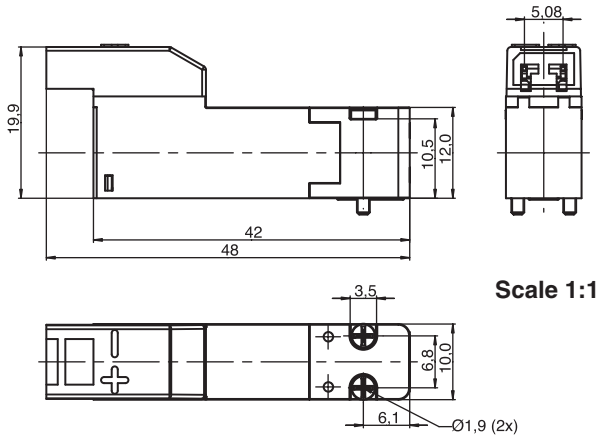
ORDERING EXAMPLE: R188B213X1V11F1 = pad mount, series 188, Micro 10 Revision B (grey), with power-save, 3/2 NC, orifice 1,0 mm, Type 1, FPM, M 1,7 x 12,5, without manual override, 24 VDC

DIMENSIONS (mm), WEIGHT (kg) 

weight
0,0017

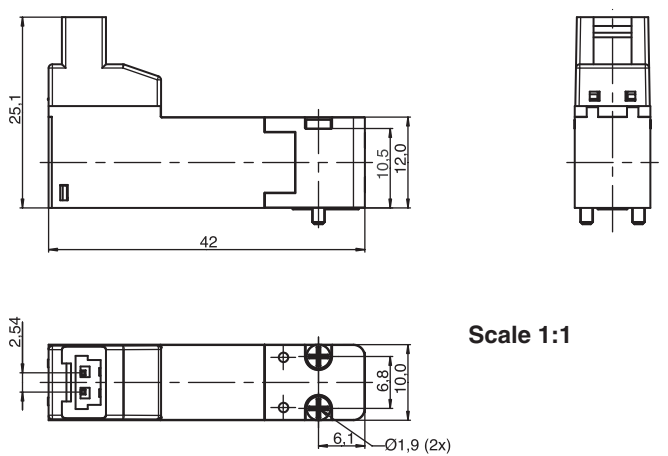
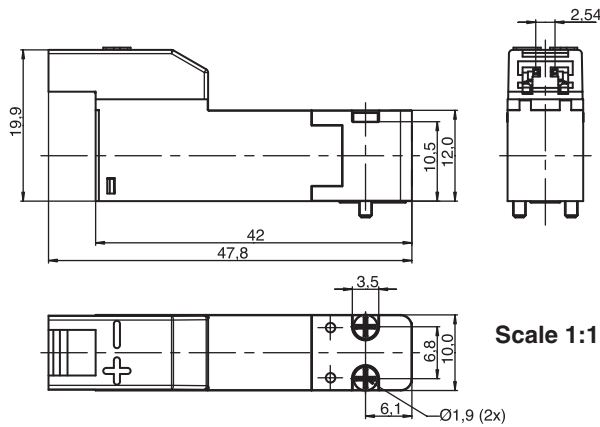
type 1

type 2



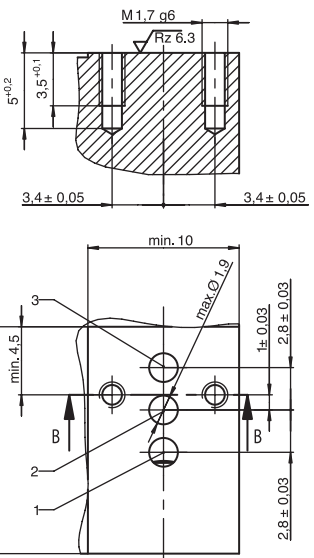
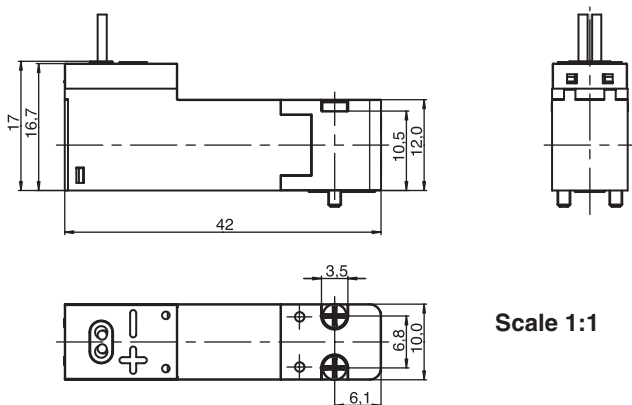
type 3

type 4



type 5

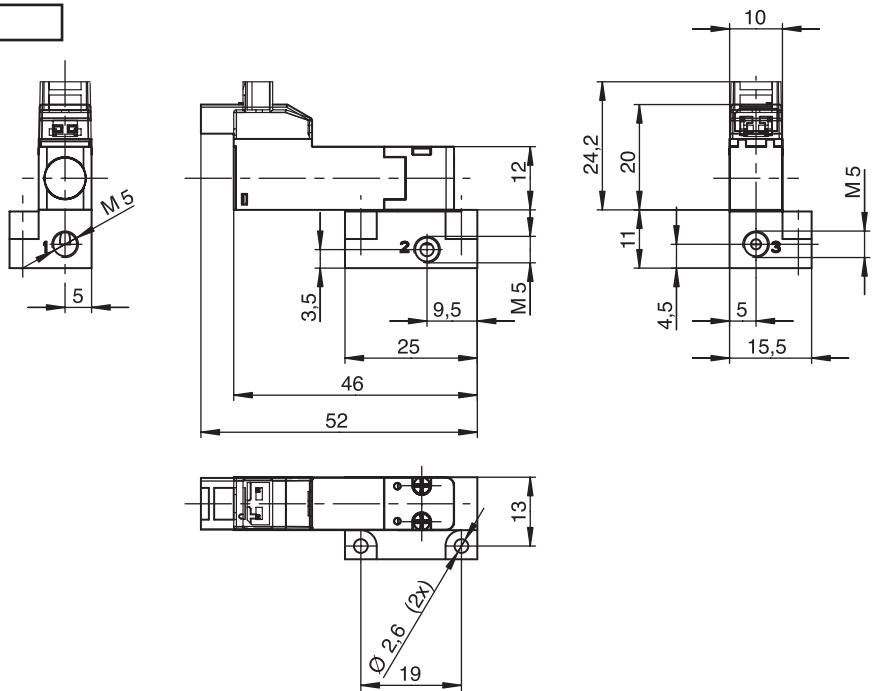
flange facing



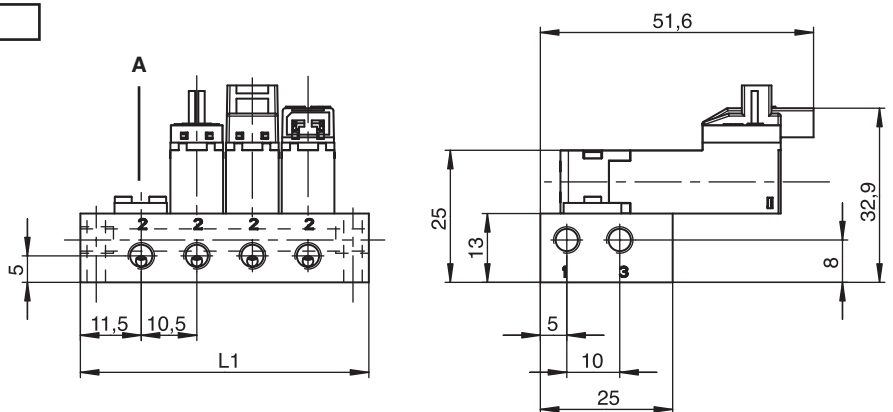
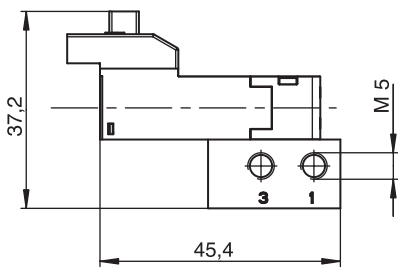
DIMENSIONS (mm), WEIGHT (kg) (kg)

solenoid valve mounted on single subbase

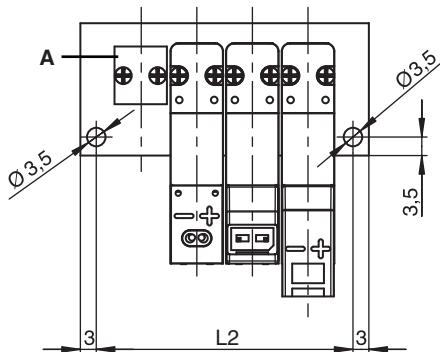
number of valves	subbase catalogue number*	weight
1	35300207	0,027



solenoid valve mounted on multiple subbase



number of valves	subbase catalogue number*	length		weight
		L1	L2	
2	35300198	35,7	29,7	0,066
3	35300199	46,2	40,2	0,091
4	35300200	56,7	50,7	0,116
5	35300201	67,2	61,2	0,141
6	35300202	77,7	71,7	0,167
7	35300203	88,2	82,2	0,191
8	35300204	98,7	92,7	0,216
9	35300205	109,2	103,2	0,242
10	35300206	119,7	113,7	0,268



A: Blanking plate, catalogue number: 513697-001

* The connectors must be ordered separately, please indicate the quantity and one of the following codes:

Connector, 2 wires

Distance between contacts 5,08 mm - length 0,5 m
 - length 1,5 m
 - length 3 m

Distance between contacts 2,54 mm - length 0,5 m
 - length 1,5 m
 - length 3 m

- catalogue number: **88118801**
 - catalogue number: **88118802**
 - catalogue number: **88118803**
 - catalogue number: **88118806**
 - catalogue number: **88118807**
 - catalogue number: **88118808**

